

SERVICE MANUAL

P670RS(-G) / P671RS(-G)

notebook



Notebook Computer

P670RS(-G) / P671RS(-G)

Service Manual

Notice

The company reserves the right to revise this publication or to change its contents without notice. Information contained herein is for reference only and does not constitute a commitment on the part of the manufacturer or any subsequent vendor. They assume no responsibility or liability for any errors or inaccuracies that may appear in this publication nor are they in anyway responsible for any loss or damage resulting from the use (or misuse) of this publication.

This publication and any accompanying software may not, in whole or in part, be reproduced, translated, transmitted or reduced to any machine readable form without prior consent from the vendor, manufacturer or creators of this publication, except for copies kept by the user for backup purposes.

Brand and product names mentioned in this publication may or may not be copyrights and/or registered trademarks of their respective companies. They are mentioned for identification purposes only and are not intended as an endorsement of that product or its manufacturer.

Version 1.0
July 2016

Trademarks

Intel and Intel Core are trademarks of Intel Corporation.

Windows[®] is a registered trademark of Microsoft Corporation.

Other brand and product names are trademarks and /or registered trademarks of their respective companies.

About this Manual

This manual is intended for service personnel who have completed sufficient training to undertake the maintenance and inspection of personal computers.

It is organized to allow you to look up basic information for servicing and/or upgrading components of the *P670RS(-G)* / *P671RS(-G)* series notebook PC.

The following information is included:

Chapter 1, Introduction, provides general information about the location of system elements and their specifications.

Chapter 2, Disassembly, provides step-by-step instructions for disassembling parts and subsystems and how to upgrade elements of the system.

Appendix A, Part Lists

Appendix B, Schematic Diagrams

Appendix C, Updating the FLASH ROM BIOS

IMPORTANT SAFETY INSTRUCTIONS

Follow basic safety precautions, including those listed below, to reduce the risk of fire, electric shock and injury to persons when using any electrical equipment:

1. Do not use this product near water, for example near a bath tub, wash bowl, kitchen sink or laundry tub, in a wet basement or near a swimming pool.
2. Avoid using a telephone (other than a cordless type) during an electrical storm. There may be a remote risk of electrical shock from lightning.
3. Do not use the telephone to report a gas leak in the vicinity of the leak.
4. Use only the power cord and batteries indicated in this manual. Do not dispose of batteries in a fire. They may explode. Check with local codes for possible special disposal instructions.
5. This product is intended to be supplied by a Listed Power Unit as follows:
 - AC Input of 100 - 240V, 50 - 60Hz, DC Output of 19.5V, 11.8A (**230** Watts) minimum AC/DC Adapter.

FCC Statement

This device complies with Part 15 of the FCC Rules. Operation is subject to the following two conditions:

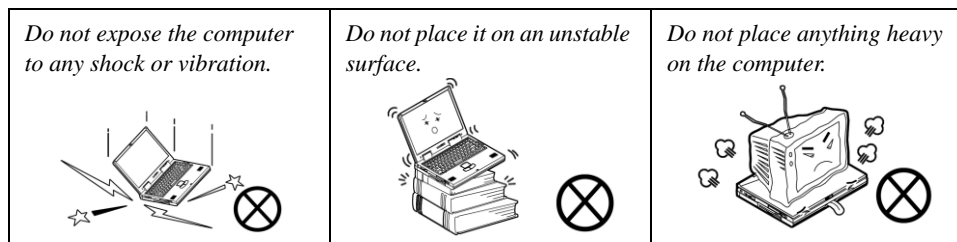
This device may not cause harmful interference.

This device must accept any interference received, including interference that may cause undesired operation.

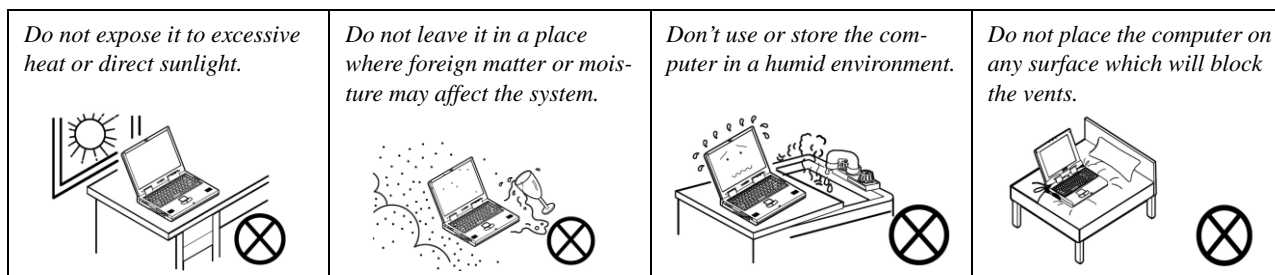
Instructions for Care and Operation

The notebook computer is quite rugged, but it can be damaged. To prevent this, follow these suggestions:

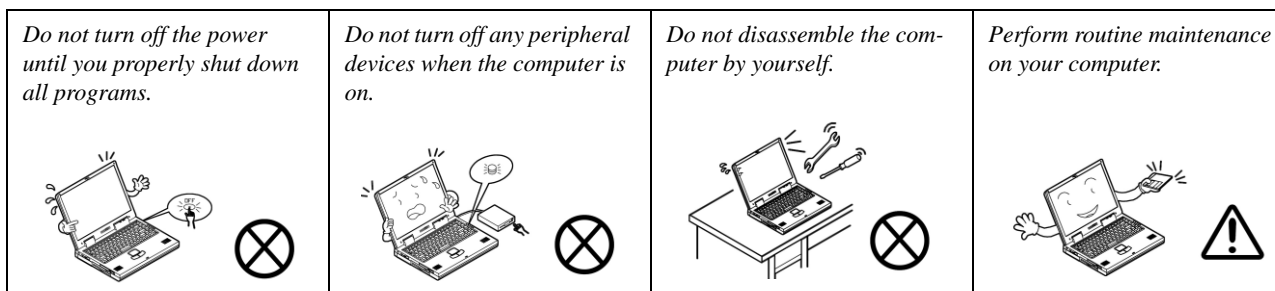
1. **Don't drop it, or expose it to shock.** If the computer falls, the case and the components could be damaged.



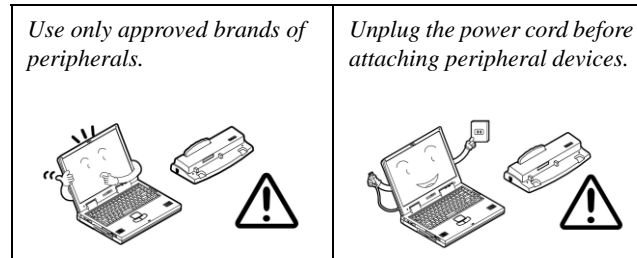
2. **Keep it dry, and don't overheat it.** Keep the computer and power supply away from any kind of heating element. This is an electrical appliance. If water or any other liquid gets into it, the computer could be badly damaged.



3. **Follow the proper working procedures for the computer.** Shut the computer down properly and don't forget to save your work. Remember to periodically save your data as data may be lost if the battery is depleted.



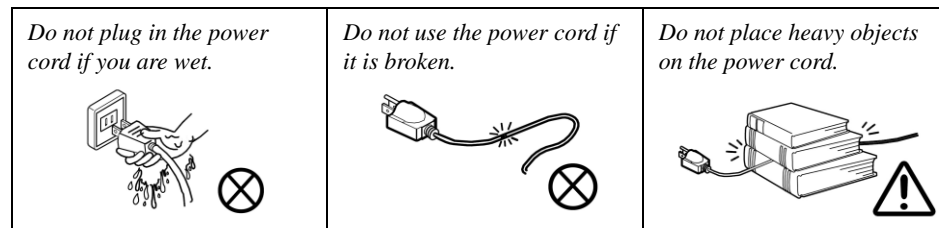
4. **Avoid interference.** Keep the computer away from high capacity transformers, electric motors, and other strong magnetic fields. These can hinder proper performance and damage your data.
5. **Take care when using peripheral devices.**



Power Safety

The computer has specific power requirements:

- Only use a power adapter approved for use with this computer.
- Your AC adapter may be designed for international travel but it still requires a steady, uninterrupted power supply. If you are unsure of your local power specifications, consult your service representative or local power company.
- The power adapter may have either a 2-prong or a 3-prong grounded plug. The third prong is an important safety feature; do not defeat its purpose. If you do not have access to a compatible outlet, have a qualified electrician install one.
- When you want to unplug the power cord, be sure to disconnect it by the plug head, not by its wire.
- Make sure the socket and any extension cord(s) you use can support the total current load of all the connected devices.
- Before cleaning the computer, make sure it is disconnected from any external power supplies.



Power Safety Warning

Before you undertake any upgrade procedures, make sure that you have turned off the power, and disconnected all peripherals and cables (including telephone lines and power cord). It is advisable to also remove your battery in order to prevent accidentally turning the machine on.

Battery Precautions

- Only use batteries designed for this computer. The wrong battery type may explode, leak or damage the computer.
- Do not continue to use a battery that has been dropped, or that appears damaged (e.g. bent or twisted) in any way. Even if the computer continues to work with a damaged battery in place, it may cause circuit damage, which may possibly result in fire.
- Recharge the batteries using the notebook's system. Incorrect recharging may make the battery explode.
- Do not try to repair a battery pack. Refer any battery pack repair or replacement to your service representative or qualified service personnel.
- Keep children away from, and promptly dispose of a damaged battery. Always dispose of batteries carefully. Batteries may explode or leak if exposed to fire, or improperly handled or discarded.
- Keep the battery away from metal appliances.
- Affix tape to the battery contacts before disposing of the battery.
- Do not touch the battery contacts with your hands or metal objects.

Battery Guidelines

The following can also apply to any backup batteries you may have.

- If you do not use the battery for an extended period, then remove the battery from the computer for storage.
- Before removing the battery for storage charge it to 60% - 70%.
- Check stored batteries at least every 3 months and charge them to 60% - 70%.




Battery Disposal

The product that you have purchased contains a rechargeable battery. The battery is recyclable. At the end of its useful life, under various state and local laws, it may be illegal to dispose of this battery into the municipal waste stream. Check with your local solid waste officials for details in your area for recycling options or proper disposal.

Caution

Danger of explosion if battery is incorrectly replaced. Replace only with the same or equivalent type recommended by the manufacturer. Discard used battery according to the manufacturer's instructions.

Battery Level

Click the battery icon  in the taskbar to see the current battery level and charge status. A battery that drops below a level of 10% will not allow the computer to boot up. Make sure that any battery that drops below 10% is recharged within one week.

Related Documents

You may also need to consult the following manual for additional information:

User's Manual on CD/DVD

This describes the notebook PC's features and the procedures for operating the computer and its ROM-based setup program. It also describes the installation and operation of the utility programs provided with the notebook PC.

System Startup

1. Remove all packing materials.
2. Place the computer on a stable surface.
3. Insert the battery and make sure it is locked in position.
4. Securely attach any peripherals you want to use with the computer (e.g. keyboard and mouse) to their ports.
5. Attach the AC/DC adapter to the DC-In jack on the left of the computer, then plug the AC power cord into an outlet, and connect the AC power cord to the AC/DC adapter.
6. Use one hand to raise the lid/LCD to a comfortable viewing angle (do not exceed 135 degrees); use the other hand (as illustrated in Figure 1) to support the base of the computer (**Note: Never** lift the computer by the lid/LCD).
7. Press the power button to turn the computer "on".

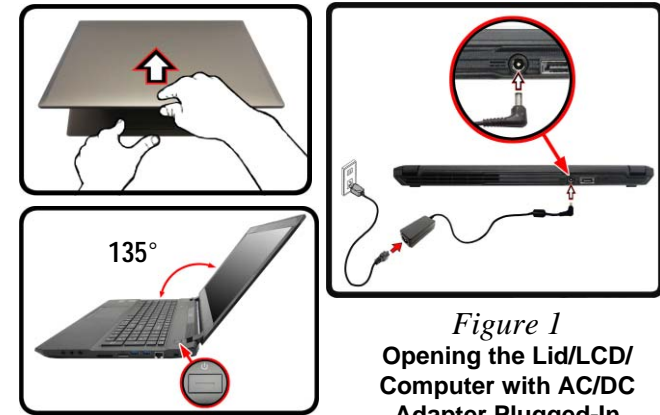



Figure 1
**Opening the Lid/LCD/
Computer with AC/DC
Adapter Plugged-In**


Shut Down

Note that you should always shut your computer down by choosing the **Shut down** command in **Windows** (see below). This will help prevent hard disk or system problems.

Click the icon  in the **Start Screen** and choose **Shut down** from the menu.



Or

Right-click the **Start button**  at the bottom of the **Start Screen** or the **Desktop** and choose **Shut down or sign out** > **Shut down** from the context menu.

Contents

Introduction	1-1	MB	A-5
Overview	1-1	HDD	A-6
Specifications	1-2	LCD	A-7
External Locator - Top View with LCD Panel Open	1-4	Schematic Diagrams.....	B-1
External Locator - Front & Right Side Views	1-5	System Block Diagram	B-3
External Locator - Left Side & Rear View	1-6	Processor 1/7	B-4
External Locator - Bottom View	1-7	Processor 2/7	B-5
Mainboard Overview - Top (Key Parts)	1-8	Processor 3/7	B-6
Mainboard Overview - Bottom (Key Parts)	1-9	Processor 4/7	B-7
Mainboard Overview - Top (Connectors)	1-10	Processor 5/7	B-8
Mainboard Overview - Bottom (Connectors)	1-11	Processor 6/7	B-9
Disassembly	2-1	Processor 7/7	B-10
Overview	2-1	DDR CHA SO-DIMM_0	B-11
Maintenance Tools	2-2	DDR CHA SO-DIMM_1	B-12
Connections	2-2	DDR CHB SO-DIMM_0	B-13
Maintenance Precautions	2-3	DDR CHB SO-DIMM_1	B-14
Disassembly Steps	2-4	Panel, Inverter	B-15
Removing the Keyboard	2-5	Mini DP Port E	B-16
Removing the Battery	2-6	Mini DP Port F + PS8330B	B-17
Removing the Hard Disk Drive	2-8	HDMI	B-18
Removing the System Memory (RAM)	2-10	VGA PCI Express	B-19
Removing the the M.2 SSD Module	2-13	VGA Frame Buffer Partition	B-20
Removing the Wireless LAN Module	2-15	Frame Buffer Partition A	B-21
Wireless LAN, Combo, 3G & LTE Module Cables	2-16	Frame Buffer Partition B	B-22
Removing the M.2 SATA Module	2-17	Frame Buffer Partition A_B	B-23
Part Lists	A-1	GPU Frame Buffer Partition	B-24
Part List Illustration Location	A-2	Frame Buffer Partition C	B-25
Top	A-3	Frame Buffer Partition D	B-26
Bottom	A-4	Frame Buffer Partition C_D	B-27
		GPU Decoupling 1	B-28

Preface

GPU Decoupling 2	B-29	Fan, LID, KB LED	B-61
Straps & XTAL	B-30	Connector	B-62
IFP I/O Interface	B-31	DDR 1.2V / 0.6V	B-63
Misc - GPIO, I2C and ROM	B-32	VDD3, VDD5	B-64
NVIDIA Power Sequence	B-33	5V, 5VS, 3.3V, 3.3VS, 3.3V	B-65
GPIO Level Shift	B-34	Power 1.0V, VCCIO	B-66
GPU NVVDD, FBVDDQ	B-35	AC_In, Charger	B-67
GPU GND	B-36	1.0DX_VCCSTG/VCCSFR_OC/2.5V	B-68
PCH 1/9	B-37	1V8_RUN/AON, NV3V3	B-69
PCH 2/9	B-38	NVVDD Phase 1 & 2	B-70
PCH 3/9	B-39	NVVDD Phase 3~4	B-71
PCH 4/9	B-40	NVVDDS	B-72
PCH 5/9	B-41	PEX_VDD	B-73
PCH 6/9	B-42	FBVDDQ	B-74
PCH 7/9	B-43	VCC_Core & VCCSA	B-75
PCH 8/9	B-44	VCore Output Stage	B-76
PCH 9/9	B-45	VCCGT	B-77
KBC IT8587	B-46	VCCGT Output Stage	B-78
RGB KB Only	B-47	Audio Board P65_ESS_A 1/3	B-79
USB Charger	B-48	Audio Board P65_ESS_A 2/3	B-80
M.2 WiGig/WLAN + BT	B-49	Audio Board P65_ESS_A 3/3	B-81
M.2 PCIE4X SSD	B-50	Audio Board P67_3DAMP_E	B-82
M.2 3G/LTE	B-51	P650RS Power Board	B-83
Realtek ALC898	B-52	P650RS HDD Board	B-84
TPA2008D2	B-53	P650RS LED Board	B-85
Subwoofer	B-54	P650RS FP Board	B-86
AR_TBT	B-55	P650RS Click Board	B-87
AR_Power	B-56	P650RS USB Board 1/3	B-88
TPS65982	B-57	P650RS USB Board 2/3	B-89
TPS65982-1	B-58	P650RS USB Board 3/3	B-90
AR_Conn	B-59	P670RS LED Board	B-91
TPM, CCD, TP	B-60	P670RS USB Board 1/2	B-92


P670RS USB Board 2/2 B-93

Chapter 1: Introduction

Overview

This manual covers the information you need to service or upgrade the **P670RS(-G) / P671RS(-G)** series notebook computer. Information about operating the computer (e.g. getting started, and the *Setup* utility) is in the *User's Manual*. Information about drivers (e.g. VGA & audio) is also found in the *User's Manual*. The manual is shipped with the computer.

Operating systems (e.g. *Windows 8.1*, etc.) have their own manuals as do application softwares (e.g. word processing and database programs). If you have questions about those programs, you should consult those manuals.

The **P670RS(-G) / P671RS(-G)** series notebook is designed to be upgradeable. See [Disassembly on page 2 - 1](#) for a detailed description of the upgrade procedures for each specific component. Please take note of the warning and safety information indicated by the “” symbol.

The balance of this chapter reviews the computer's technical specifications and features.

Introduction

Specifications

Latest Specification Information

The specifications listed in this section are correct at the time of going to press. Certain items (particularly processor types/speeds) may be changed, delayed or updated due to the manufacturer's release schedule. Check with your service center for details.

G-SYNC Support

NVIDIA® G-SYNC™ Technology is supported by some LCD panels and GTX 970M/980M series video adapters only (contact your distributor or supplier for details).

CPU Speed & Computer in DC Mode

Note that when the computer is in DC mode (powered by the battery only) the CPU may not run at full speed. This is a design feature implemented in order to protect the battery.

SO-DIMM Memory Types

All SO-DIMM memory modules installed in the system should be identical (the same size and brand) in order to prevent unexpected system behavior.

Do not mix SO-DIMM memory module sizes and brands otherwise unexpected system problems may occur.

Processor Options

i7-6820HK (2.70GHz), i7-6700HQ (2.60GHz)
8MB Smart Cache, 14nm, DDR4-2133MHz, TDP 45W
Supports Intel® CPU over-clocking technology on i7-6820HK

Core Logic

Intel® HM170 Express Chipset

LCD Options

17.3" (43.94cm), 16:9, FHD (1920x1080)

BIOS

AMI BIOS (64Mb SPI Flash-ROM)

Memory

Four 260 Pin SO-DIMM Sockets Supporting **DDR4 2133/2400MHz** Memory
Memory Expandable from **8GB (minimum)** up to **64GB (maximum)**

Supports XMP 2666MHz (XMP support depends on processor)

Security

Security (Kensington® Type) Lock Slot
BIOS Password
Intel PTT for Systems Without TPM Hardware
(**Factory Option**) TPM 2.0
(**Factory Option**) Fingerprint Reader Module

Video Adapter Options

Microsoft Hybrid Graphics Mode or Discrete Graphics Mode

Supports up to 4 Active Displays
Supports NVIDIA Surround View via HDMI x 1 and MiniDP x2

Intel Integrated GPU

Intel® HD Graphics 530

Dynamic Frequency
Intel Dynamic Video Memory Technology
Microsoft DirectX®12 Compatible

NVIDIA® Discrete GPU

NVIDIA® GeForce GTX 1070

8GB GDDR5 Video RAM
Microsoft DirectX®12 Compatible
Supports GPU Overclocking

Pointing Device

Built-in Touchpad (scrolling key functionality integrated)

Keyboard

(**Factory Option**) **Full Color Illuminated** Full-size Winkey Keyboard (with numeric keypad)

Or

(**Factory Option**) Full-size **Illuminated White LED** Winkey Keyboard (with numeric keypad)

Storage

(Factory Option) Two **SATA** M.2 2280 SSDs supporting RAID level 0/1

Or

(Factory Option) One **PCIe Gen3 x4** M.2 2280 SSD

Two Changeable 2.5" (6cm) **SATA** (Serial) Hard Disk Drives (HDDs)/SSDs (**1st: 7.0mm (h) & 2nd: 7.0mm/9.5mm (h)**) supporting RAID Level 0/1

Audio

High Definition Audio Compliant Interface

S/PDIF Digital Output

Two Speakers

Sound Blaster Audio

ESS™ SABRE HIFI DAC for High Resolution Headphone Audio

Built-In Array Microphone

Sub-Woofer

Note: External 5.1CH Audio Output Supported by Line-Out, Microphone-In and Headphone & S/PDIF Out Combo Jacks

Interface

Two USB 3.1 Gen 2 Type C Ports

Three USB 3.0 (USB 3.1 Gen 1) Ports (Including one AC/DC Powered USB port)

Two Mini DisplayPorts (1.3)

One HDMI-Out Port

One 2-In-1 Audio Jack (Headphone & S/PDIF Optical Output Combo Jack)

One Microphone-In Jack

One Line-Out Jack

One RJ-45 LAN Jack

One DC-In Jack

Communication

Built-In Gigabit Ethernet LAN

2.0M FHD PC Camera Module

WLAN/ Bluetooth M.2 Modules:

(Factory Option) Intel® Wireless-AC 8260 Wireless LAN (802.11ac) + Bluetooth 4.1

(Factory Option) Intel® Wireless-N 7265 Wireless LAN (802.11b/g/n) + Bluetooth 4.0

(Factory Option) Intel® Wireless-AC 3165 Wireless LAN (802.11ac) + Bluetooth 4.0

(Factory Option) Qualcomm® Atheros Killer™ Wireless-AC 1535 Wireless LAN (802.11ac) + Bluetooth 4.1

Card Reader

Embedded Multi-In-1 Push-Push Card Reader

MMC (MultiMedia Card) / RS MMC

SD (Secure Digital) / Mini SD / SDHC/ SDXC

M.2 Slots

Slot 1 for **Combo WLAN and Bluetooth** Module

Slot 2 for **SATA** or **PCIe Gen3 x4 SSD**

Slot 3 for **SATA SSD**



M.2 SSD Limitation

When slot 3 has an M.2 SATA SSD installed, then slot 2 will not be available for M.2 PCIe SSDs.

Features

Supports NVIDIA G-SYNC Technology in dGPU Mode

(G-SYNC is only supported if you have a G-SYNC capable display and a GTX series video adapter)

Virtual Reality Ready

Environmental Spec

Temperature

Operating: 5°C - 35°C

Non-Operating: -20°C - 60°C

Relative Humidity

Operating: 20% - 80%

Non-Operating: 10% - 90%

Power

Embedded 4-Cell Polymer Battery Pack, 60WH

Full Range AC/DC Adapter

AC Input: 100 - 240V, 50 - 60Hz

DC Output: 19.5V, 11.8A (**230W**)

Dimensions & Weight

417mm (w) * 287mm (d) * 29.98mm (h)

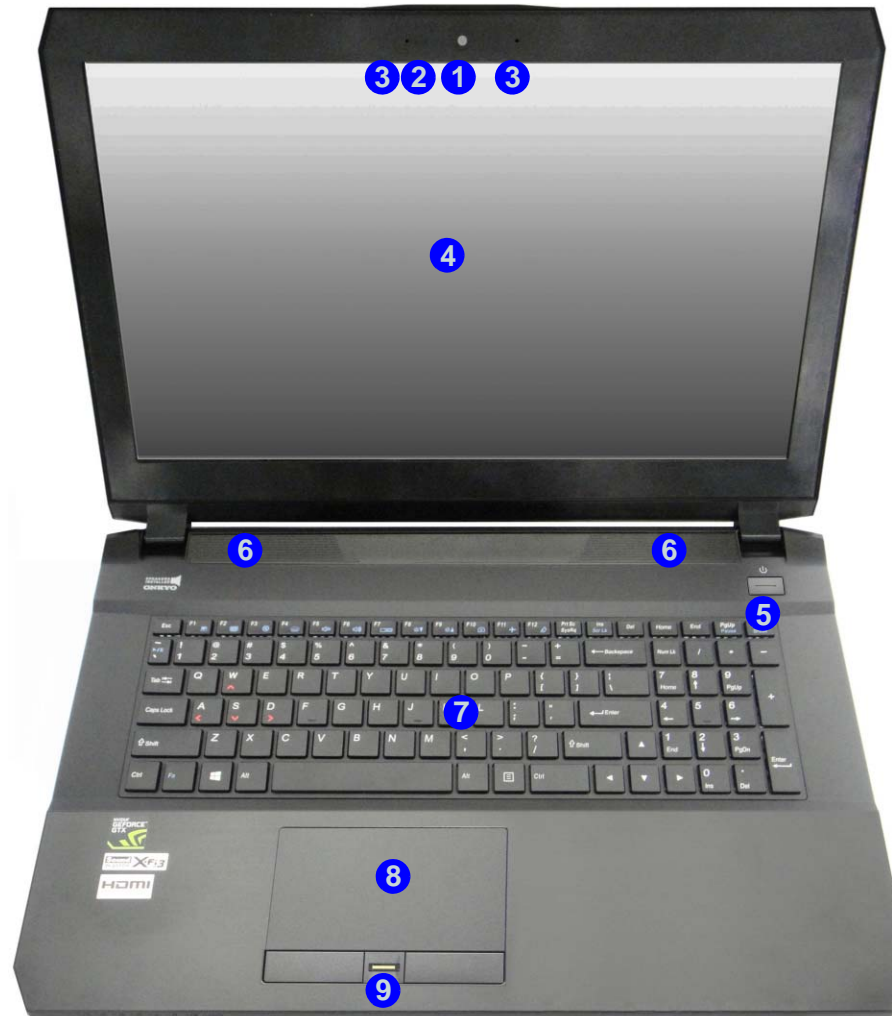
3.2kg (Barebone with 60WH Battery)

Introduction

Figure 1
Top View

1. PC Camera
2. *PC Camera LED
**When the PC camera is in use, the LED will be illuminated in red.*
3. Built-In Microphone
4. LCD
5. Power Button
6. Speakers
7. Keyboard
8. Touchpad & Buttons
9. Fingerprint Reader (Optional)

External Locator - Top View with LCD Panel Open



External Locator - Front & Right Side Views

FRONT VIEW



RIGHT SIDE VIEW



Figure 2
Front View

1. LED Indicator

Figure 3
Right Side View

1. Headphone & S/PDIF Combo Jack
2. Microphone-In Jack
3. Line-Out Jack
4. Multi-in-1 Card Reader
5. USB 3.0 Port
6. RJ-45 LAN Jack
7. Security Lock Slot

Introduction

External Locator - Left Side & Rear View

Figure 4
Left Side View

1. Vent
2. Mini Display Port
3. USB 3.1 Gen 2 Type C Ports
4. USB 3.0 Port
5. Powered USB 3.0 Port

LEFT SIDE VIEW



Figure 5
Rear View

1. Vent
2. DC-In Jack
3. HDMI-Out Port
4. Mini Display Port

REAR VIEW



External Locator - Bottom View

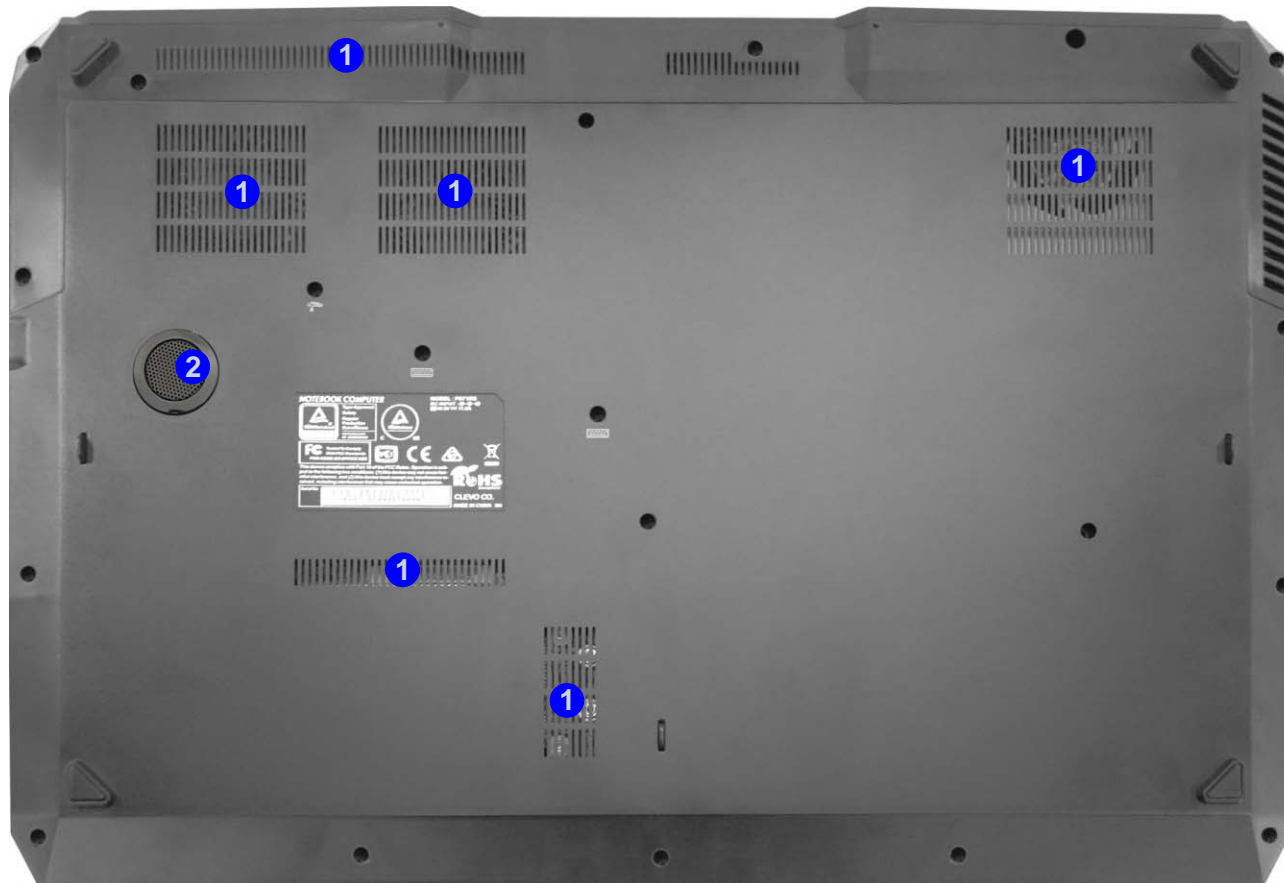


Figure 6
Bottom View

1. Vent
2. Sub Woofer



Overheating

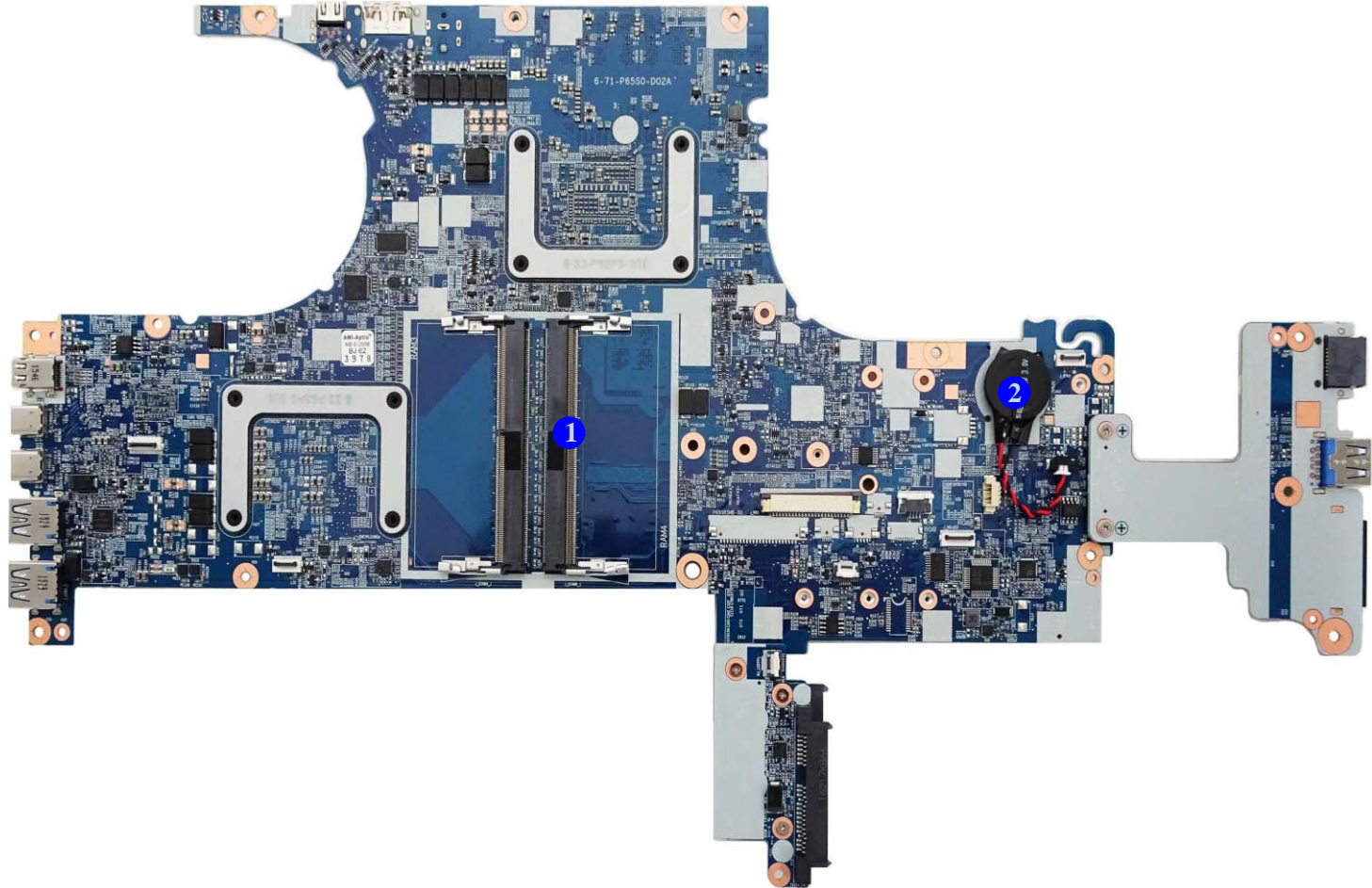
To prevent your computer from overheating, make sure nothing blocks any vent while the computer is in use.

Introduction

Figure 7
**Mainboard Top
Key Parts**

1. Memory Slots
DDR4 SO-DIMM
2. CMOS Battery

Mainboard Overview - Top (Key Parts)



Mainboard Overview - Bottom (Key Parts)

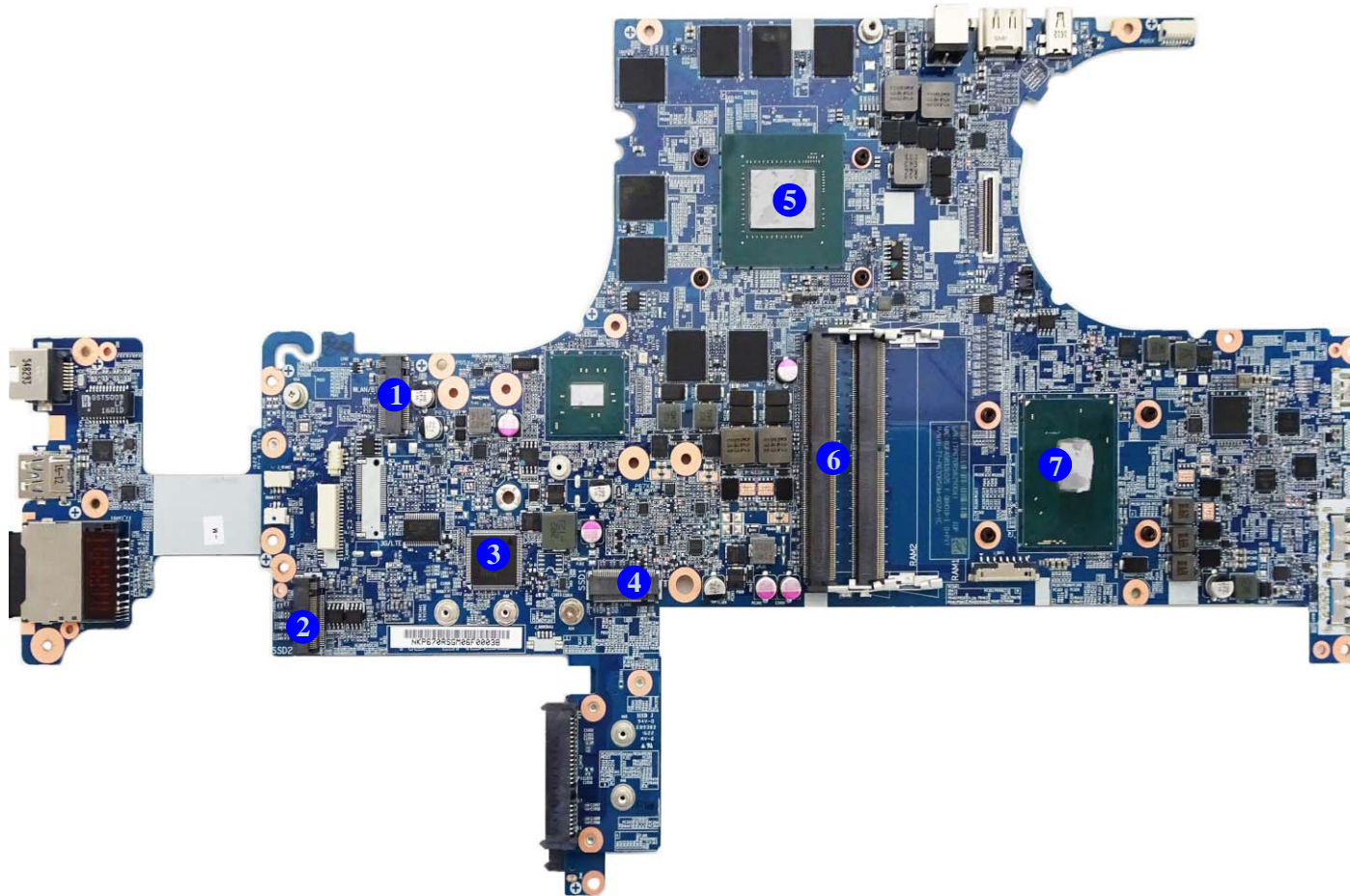


Figure 8
**Mainboard Bottom
Key Parts**

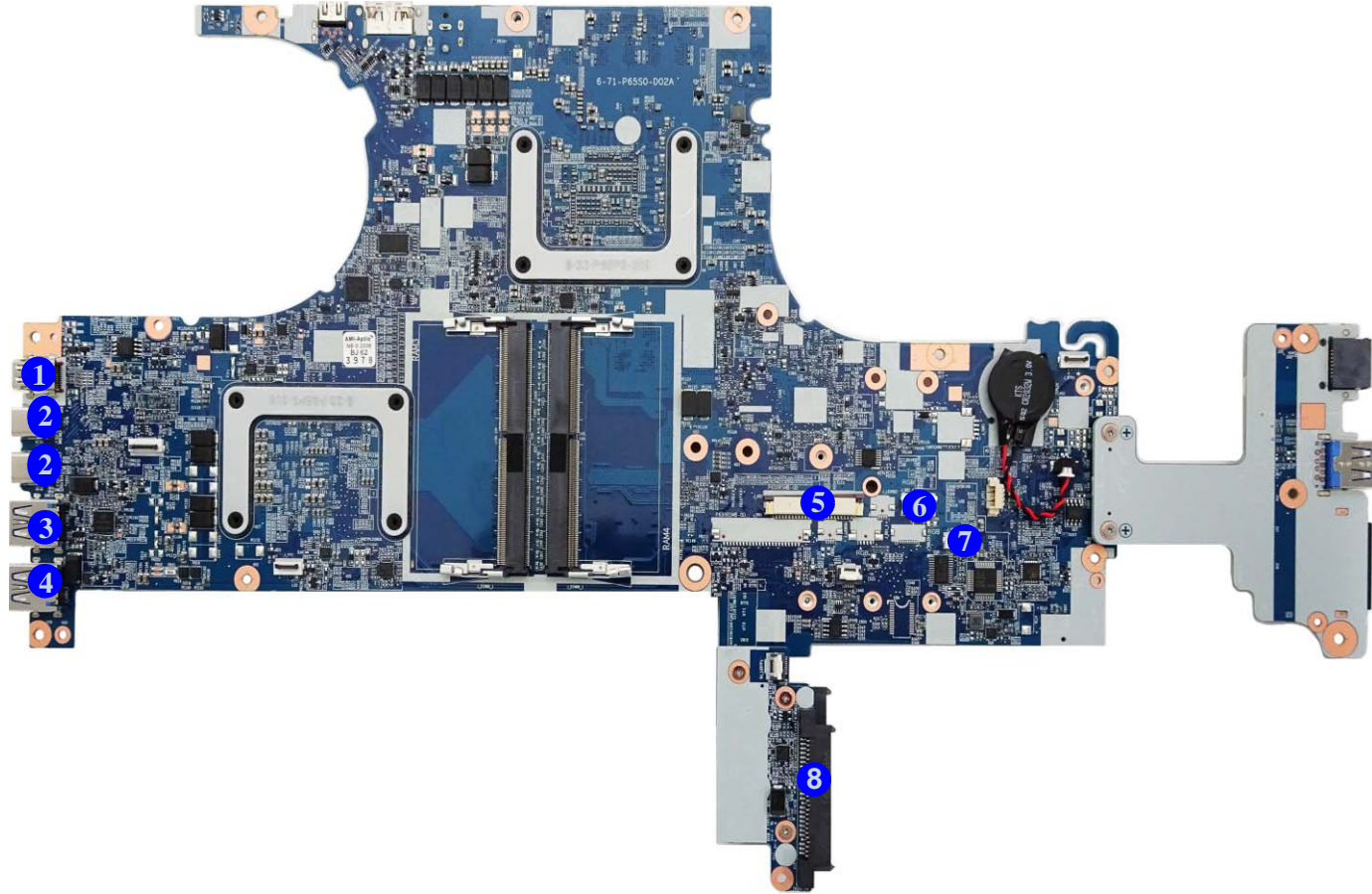
1. Mini-Card Connector (WLAN Module)
2. Mini-Card Connector (M.2 3G/SATA Module)
3. KBC-ITE IT8587
4. Mini-Card Connector (M.2 PCIE/SATA SSD Module)
5. GPU-GTX1070
6. Memory Slots (DDR4 SO-DIMM)
7. CPU

Introduction

Figure 9
**Mainboard Top
Connectors**

1. Mini Display Port
2. USB Port 3.1
Connector
3. USB Port 3.0
Connector
4. Powered USB
Port 3.0
Connector
5. Keyboard Cable
Connector
6. TP Connector
7. Speaker
Connector
8. HDD Connector

Mainboard Overview - Top (Connectors)



Mainboard Overview - Bottom (Connectors)

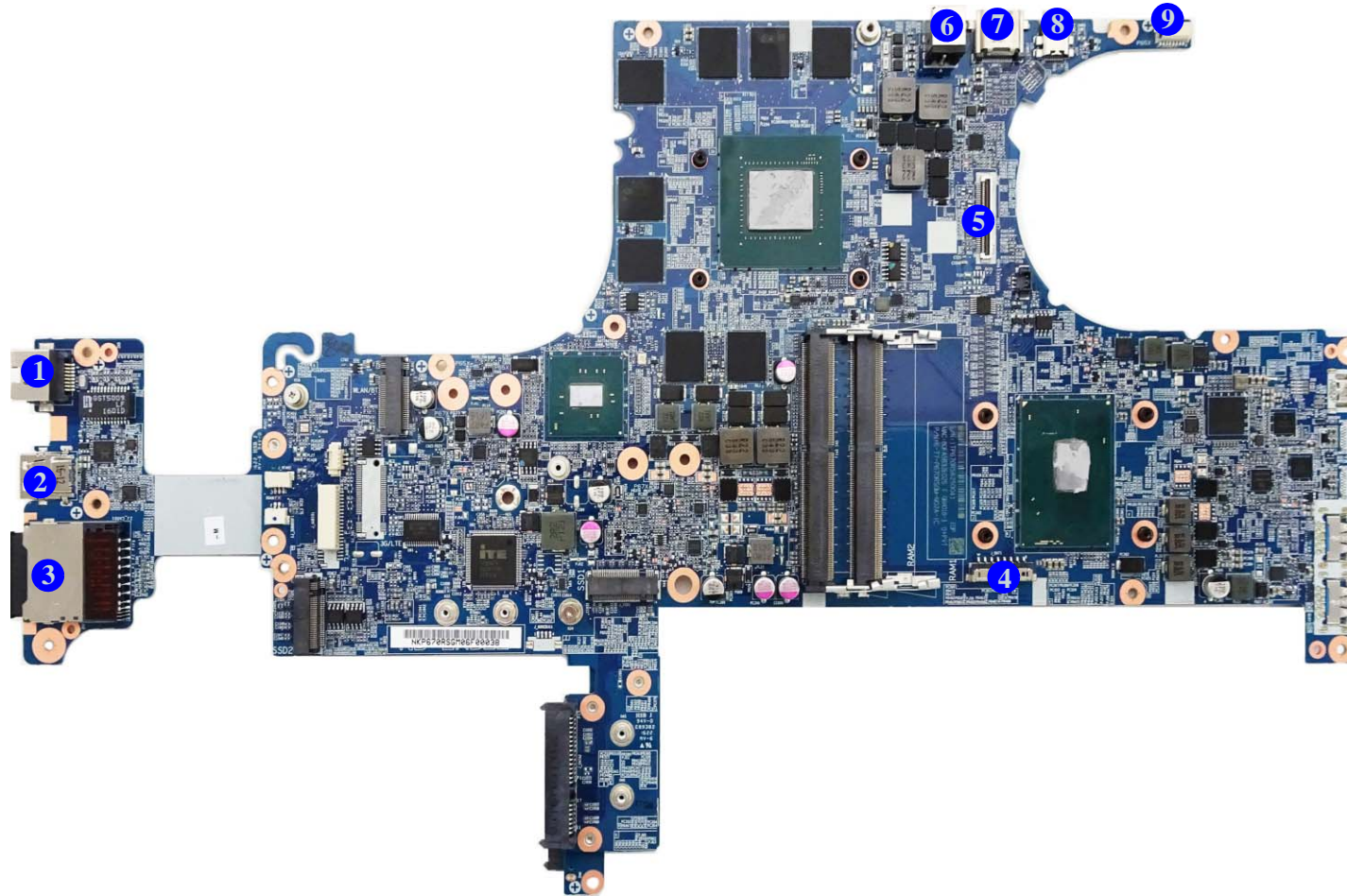


Figure 10
**Mainboard Bottom
Connectors**

1. RJ-45 LAN Jack
2. USB Port 3.0 Connector
3. Multi-in-1 Card Reader
4. Battery Connector
5. LCD Cable Connector
6. DC-In Jack
7. HDMI-Out Port
8. Mini Display Port
9. CCD Connector


Chapter 2: Disassembly

Overview

This chapter provides step-by-step instructions for disassembling the *P670RS(-G) / P671RS(-G)* series notebook's parts and subsystems. When it comes to reassembly, reverse the procedures (unless otherwise indicated).

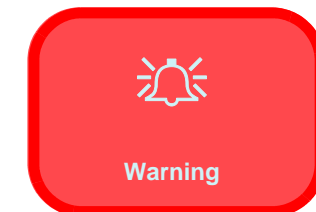
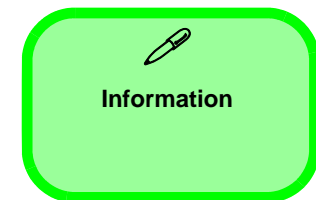
We suggest you completely review any procedure before you take the computer apart.

Procedures such as upgrading/replacing the RAM, optical device and hard disk are included in the User's Manual but are repeated here for your convenience.

To make the disassembly process easier each section may have a box in the page margin. Information contained under the figure # will give a synopsis of the sequence of procedures involved in the disassembly procedure. A box with a  lists the relevant parts you will have after the disassembly process is complete. **Note:** The parts listed will be for the disassembly procedure listed ONLY, and not any previous disassembly step(s) required. Refer to the part list for the previous disassembly procedure. The amount of screws you should be left with will be listed here also.

A box with a  will also provide any possible helpful information. A box with a  contains warnings.

An example of these types of boxes are shown in the sidebar.



Disassembly

NOTE: All disassembly procedures assume that the system is turned **OFF**, and disconnected from any power supply (the battery is removed too).

Maintenance Tools

The following tools are recommended when working on the notebook PC:

- M3 Philips-head screwdriver
- M2.5 Philips-head screwdriver (magnetized)
- M2 Philips-head screwdriver
- Small flat-head screwdriver
- Pair of needle-nose pliers
- Anti-static wrist-strap

Connections

Connections within the computer are one of four types:

Locking collar sockets for ribbon connectors	To release these connectors, use a small flat-head screwdriver to gently pry the locking collar away from its base. When replacing the connection, make sure the connector is oriented in the same way. The pin1 side is usually not indicated.
Pressure sockets for multi-wire connectors	To release this connector type, grasp it at its head and gently rock it from side to side as you pull it out. Do not pull on the wires themselves. When replacing the connection, do not try to force it. The socket only fits one way.
Pressure sockets for ribbon connectors	To release these connectors, use a small pair of needle-nose pliers to gently lift the connector away from its socket. When replacing the connection, make sure the connector is oriented in the same way. The pin1 side is usually not indicated.
Board-to-board or multi-pin sockets	To separate the boards, gently rock them from side to side as you pull them apart. If the connection is very tight, use a small flat-head screwdriver - use just enough force to start.

Maintenance Precautions

The following precautions are a reminder. To avoid personal injury or damage to the computer while performing a removal and/or replacement job, take the following precautions:

1. **Don't drop it.** Perform your repairs and/or upgrades on a stable surface. If the computer falls, the case and other components could be damaged.
2. **Don't overheat it.** Note the proximity of any heating elements. Keep the computer out of direct sunlight.
3. **Avoid interference.** Note the proximity of any high capacity transformers, electric motors, and other strong magnetic fields. These can hinder proper performance and damage components and/or data. You should also monitor the position of magnetized tools (i.e. screwdrivers).
4. **Keep it dry.** This is an electrical appliance. If water or any other liquid gets into it, the computer could be badly damaged.
5. **Be careful with power.** Avoid accidental shocks, discharges or explosions.
 - Before removing or servicing any part from the computer, turn the computer off and detach any power supplies.
 - When you want to unplug the power cord or any cable/wire, be sure to disconnect it by the plug head. Do not pull on the wire.
6. **Peripherals** – Turn off and detach any peripherals.
7. **Beware of static discharge.** ICs, such as the CPU and main support chips, are vulnerable to static electricity. Before handling any part in the computer, discharge any static electricity inside the computer. When handling a printed circuit board, do not use gloves or other materials which allow static electricity buildup. We suggest that you use an anti-static wrist strap instead.
8. **Beware of corrosion.** As you perform your job, avoid touching any connector leads. Even the cleanest hands produce oils which can attract corrosive elements.
9. **Keep your work environment clean.** Tobacco smoke, dust or other air-borne particulate matter is often attracted to charged surfaces, reducing performance.
10. **Keep track of the components.** When removing or replacing any part, be careful not to leave small parts, such as screws, loose inside the computer.

Cleaning

Do not apply cleaner directly to the computer, use a soft clean cloth.

Do not use volatile (petroleum distillates) or abrasive cleaners on any part of the computer.



Power Safety Warning

Before you undertake any upgrade procedures, make sure that you have turned off the power, and disconnected all peripherals and cables (including telephone lines and power cord). It is advisable to also remove your battery in order to prevent accidentally turning the machine on.

Disassembly Steps

The following table lists the disassembly steps, and on which page to find the related information. **PLEASE PERFORM THE DISASSEMBLY STEPS IN THE ORDER INDICATED.**

To remove the Keyboard:

1. Remove the keyboard *page 2 - 5*

To remove the Battery:

1. Remove the battery *page 2 - 6*

To remove the HDD:

1. Remove the battery *page 2 - 6*
2. Remove the HDD *page 2 - 8*

To remove the System Memory:

1. Remove the battery *page 2 - 6*
2. Remove the system memory *page 2 - 10*

To remove the M.2 SSD Module:

1. Remove the battery *page 2 - 6*
2. Remove the M.2 SSD *page 2 - 13*

To remove the Wireless LAN Module:

1. Remove the battery *page 2 - 6*
2. Remove the WLAN *page 2 - 15*

To remove the M.2 SATA Module:

1. Remove the battery *page 2 - 6*
2. Remove the M.2 SATA *page 2 - 17*

Removing the Keyboard

1. Turn **off** the computer, turn it over.
2. Remove screws **1** - **2** from the bottom of the computer.
3. Open it up with the LCD on a flat surface before pressing at point **3** to release the keyboard module (use the special eject stick **4** to do this) while releasing the keyboard in the direction of the arrow **5** as shown (**Figure 1a**).
4. Carefully lift the keyboard **6** up, being careful not to bend the keyboard ribbon cable **7**. Disconnect the keyboard ribbon cable **7** from the locking collar socket by using a flat-head screwdriver to pry the locking collar pins **8** away from the base (**Figure 1b**).
5. Carefully lift the keyboard **6** off the computer (**Figure 1c**).

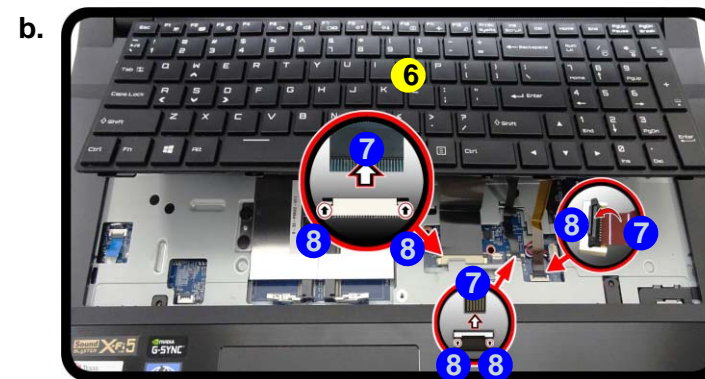
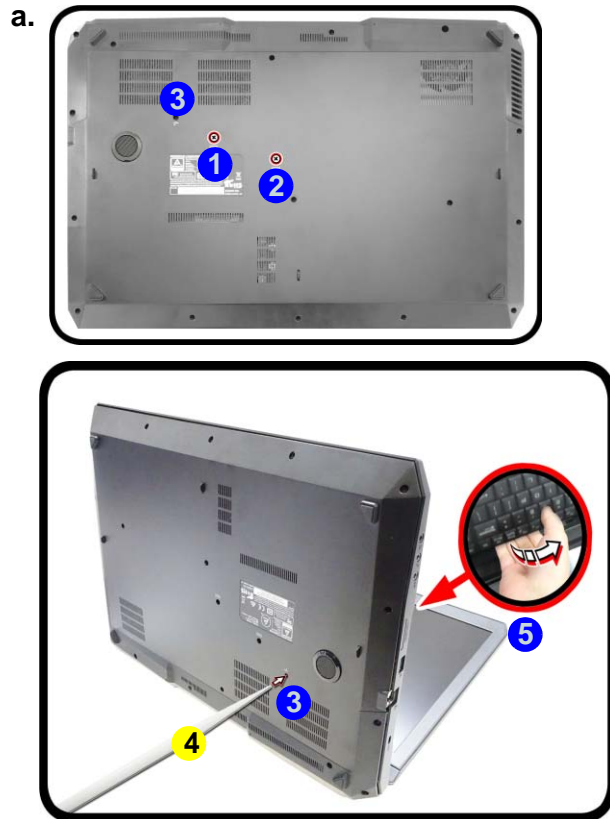


Figure 1
Keyboard Removal

- a. Remove screws from the bottom of the computer and then eject the keyboard using a special eject stick to push the keyboard out while releasing the keyboard as shown.
- b. Lift the keyboard up and disconnect the keyboard ribbon cable from the locking collar socket.
- c. Remove the keyboard.



Re-inserting the Keyboard

When re-inserting the keyboard firstly, align the keyboard tabs at the bottom of the keyboard with the slots in the case.



4. Eject Stick
6. Keyboard

- 2 Screws

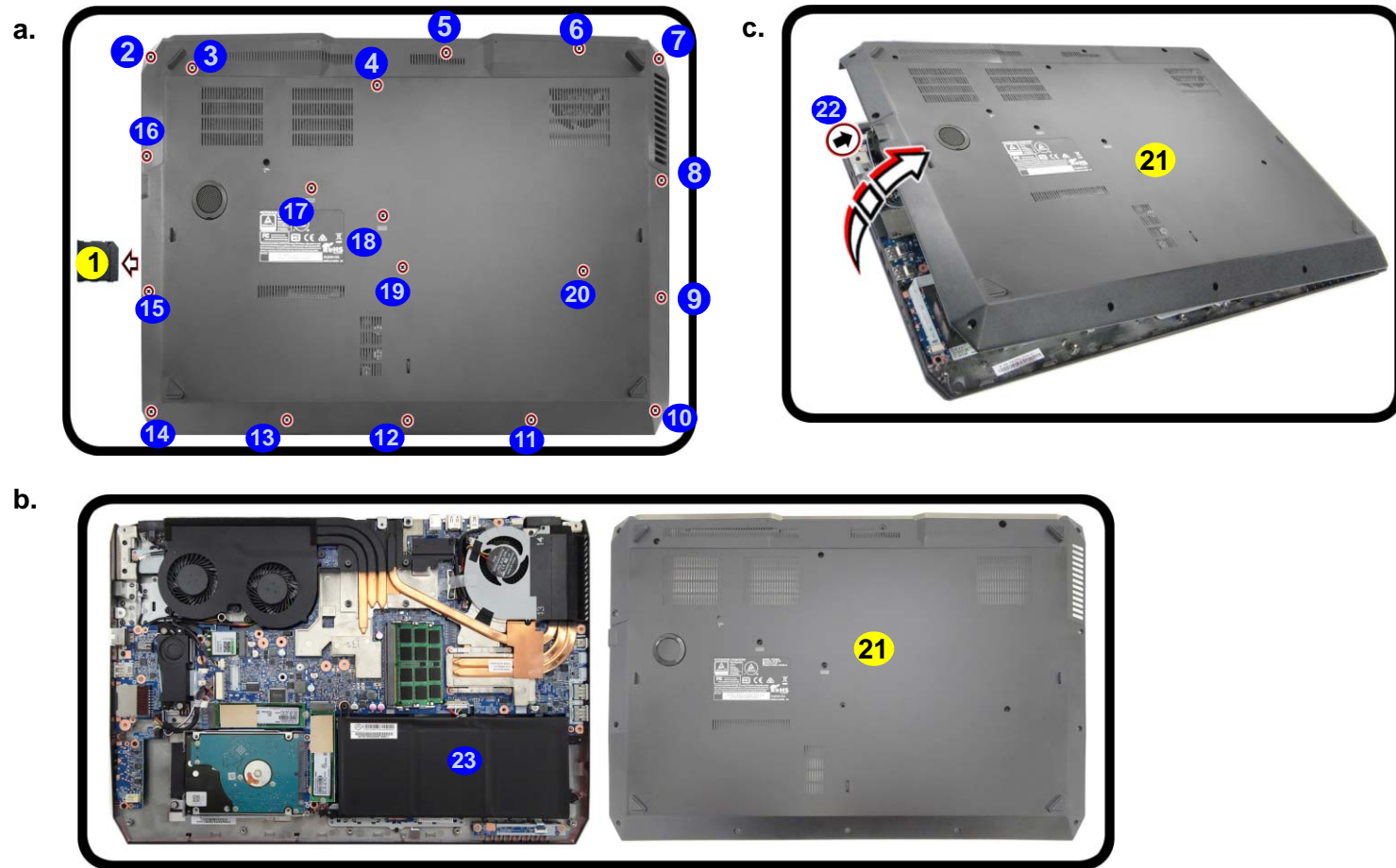
Disassembly

Figure 2
Battery Removal

- Remove the SD card cover and screws.
- Remove the screws at the rear of the computer.
- Remove the bottom case to locate the battery.

Removing the Battery

- Turn the computer off, and turn it over.
- Remove the SD card cover **1** and screws **2** - **20** (*Figure 2a*).
- Carefully lift the bottom case **21** up in the direction of the arrow **22** and remove it (*Figure 2b*).
- The battery will be visible at point **23** on the computer (*Figure 2c*).



1. SD Card Cover
21. Bottom Case

- 19 Screws

- Carefully disconnect the cable **24**, then remove screws **25** - **28** (*Figure 3d*).
- Lift the battery **28** off the computer (*Figure 3e*).
- Reinsert the bottom case starting from point **29** as shown (*Figure 3f*) to avoid damaging the rear eSATA/USB 3.0 port. Tighten the screws to secure the bottom case in place.



Figure 3
Battery Removal
(cont'd.)

- Disconnect the cable and remove the screws.
- Lift the battery off the computer.
- Reinsert the bottom case and tighten the screws.



28. Battery

- 4 Screws

Figure 4
**HDD Assembly
Removal**

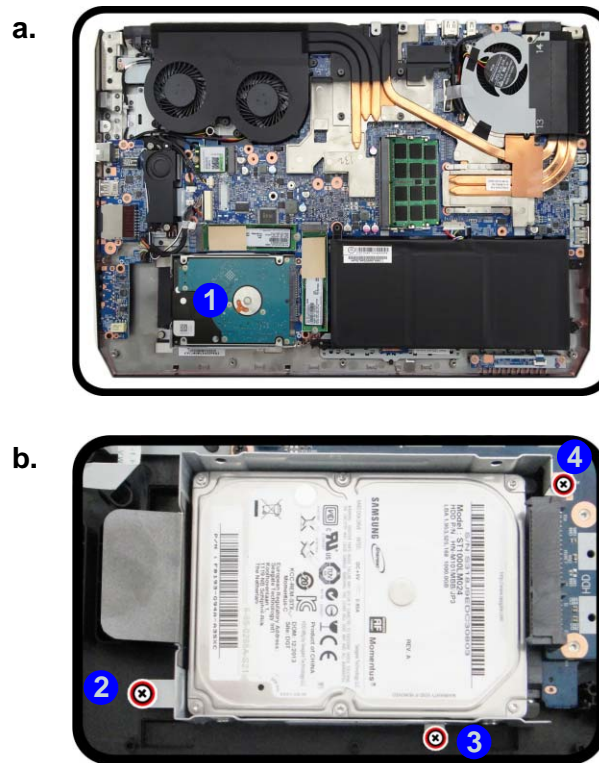
- Locate the HDD.
- Remove the screws.

Removing the Hard Disk Drive

The hard disk drive can be taken out to accommodate other 2.5" serial (SATA) hard disk drives with a height of 9.5mm or 7mm (h). Follow your operating system's installation instructions, and install all necessary drivers and utilities (as outlined in **Chapter 4 of the User's Manual**) when setting up a new hard disk.

Hard Disk Disassembly Process

- Turn **off** the computer, and remove the battery ([page 2 - 6](#)).
- The HDD will be visible at point **1** on the mainboard ([Figure 4a](#)).
- Remove screws **2** - **4** from the HDD assembly ([Figure 4b](#)).



HDD System Warning

New HDD's are blank. Before you begin make sure:

You have backed up any data you want to keep from your old HDD.

You have all the CD-ROMs and FDDs required to install your operating system and programs.

If you have access to the internet, download the latest application and hardware driver updates for the operating system you plan to install. Copy these to a removable medium.

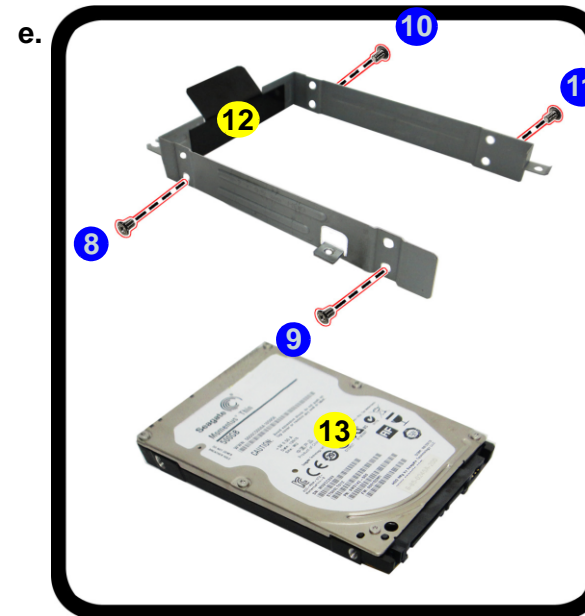
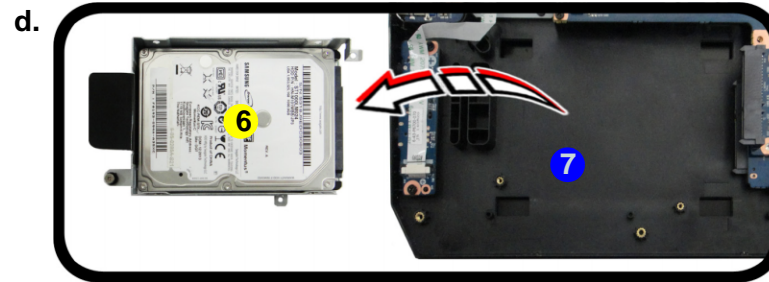



- Hard Disk
- 3 Screws

4. Carefully pull the hard disk assembly in the direction of arrow 5 (Figure 5c).
5. Lift the hard disk assembly 6 out of the bay 7 (Figure 5d).
6. Remove screws 8 - 11 and bracket 12 from the hard disk 13 (Figure 5e).
7. Reverse the process to install a new hard disk (do not forget to replace the screws).

Figure 5
HDD Assembly
Removal (cont'd.)

- c. Pull the HDD in the direction of the arrow.
- d. Lift the HDD assembly out of the bay.
- e. Remove the screws and bracket from the HDD.






Installing 9.5mm or 7mm HDD

Note that the hard disks pictured on the following pages are all 7mm(h) hard disk drive.

In some cases 9.5mm(h) hard disk drives will be installed. It can be installed on either upper or lower slot.

There are two hard disk drive options:
Two changeable 2.5" (6cm) **7.0mm** (h) **SATA** (Serial) Hard Disk Drives/Solid State Drives (SSD) supporting RAID level 0/1
 Or
One changeable 2.5" (6cm) **9.5mm** (h) **SATA** (Serial) Hard Disk Drive/Solid State Drive (SSD)

For more information, contact your distributor/supplier, and bear in mind your warranty terms.



6. HDD Assembly
 12. HDD Bracket
 13. HDD

- 4 Screws

Disassembly

Figure 6
**RAM-1 Module
Removal**

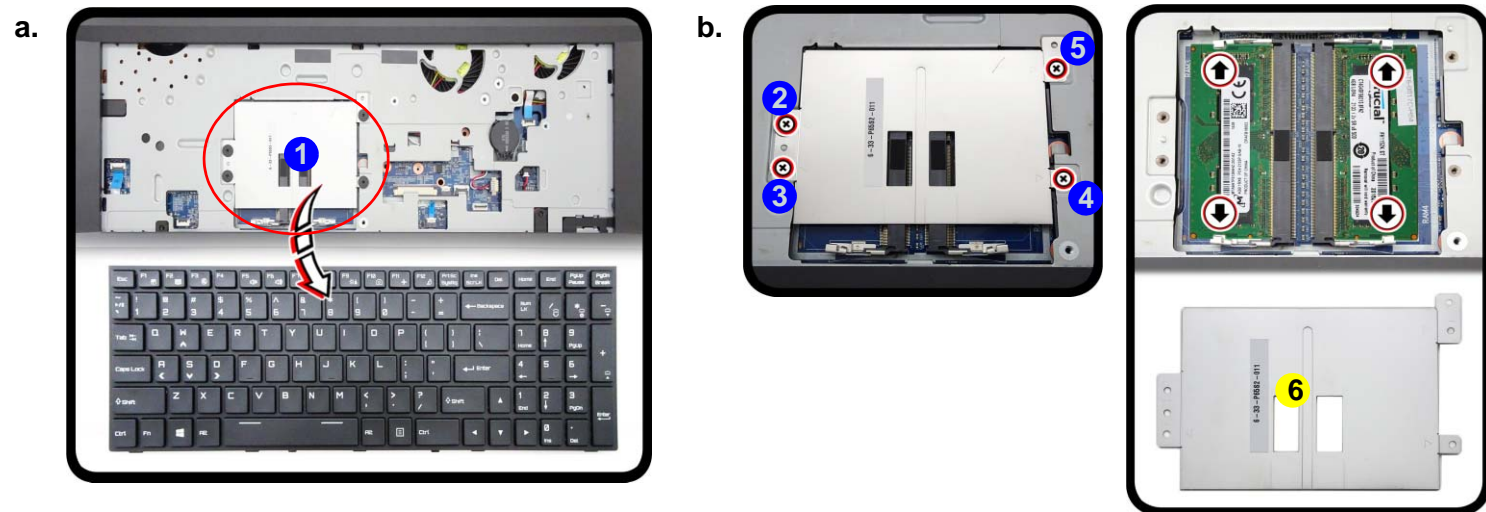
- The RAM modules will be visible at point ①.
- Remove the screws and lift the shielding plate out.

Removing the System Memory (RAM)

The computer has two memory sockets for 260 pin Small Outline Dual In-line Memory Modules (SO-DIMM) supporting DDR4 2133/2400 MHz. The main memory can be expanded up to 64GB. The total memory size is automatically detected by the POST routine once you turn on your computer.

Memory-1 Upgrade Process

- Turn **off** the computer, turn it over, remove the keyboard ([page 2 - 5](#)).
- The RAM modules will be visible at point ① after removing the shielding plate ([Figure 6a](#)).
- Remove screws ② - ⑤ and lift the shielding plate ⑥ off the computer ([Figure 6b](#)).



Contact Warning

Be careful not to touch the metal pins on the module's connecting edge. Even the cleanest hands have oils which can attract particles, and degrade the module's performance.



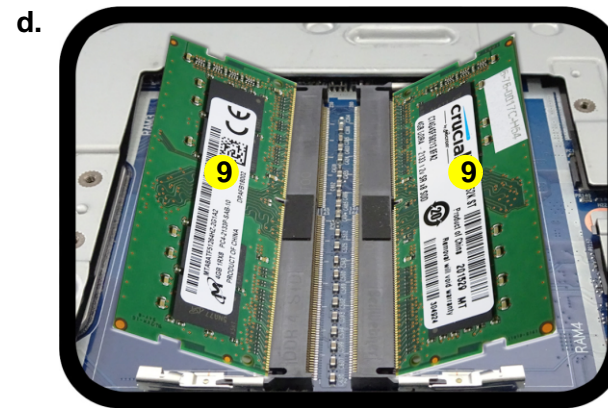
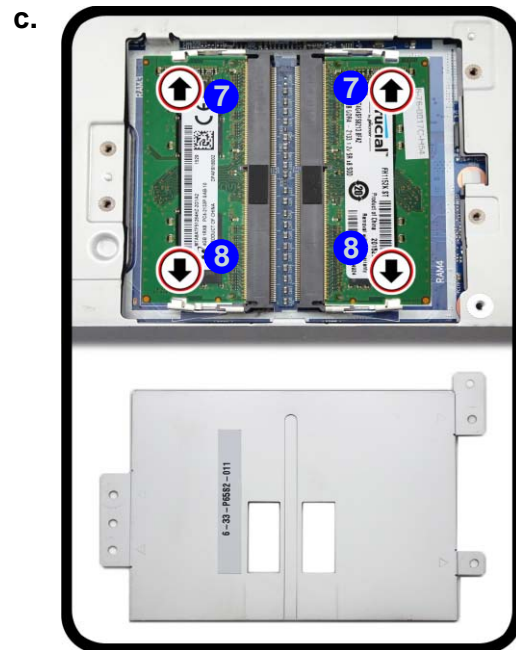
6. RAM Shielding Plate

- 4 Screws

- Gently pull the two release latches (7 & 8) on the sides of the memory socket in the direction indicated by the arrows (Figure 8c). The RAM module 9 will pop-up (Figure 8d), and you can then remove it.
- Pull the latches to release the second module if necessary.
- Insert a new module holding it at about a 30° angle and fit the connectors firmly into the memory slot.
- The module will only fit one way as defined by its pin alignment. Make sure the module is seated as far into the slot as it will go. DO NOT FORCE IT; it should fit without much pressure.
- Press the module in and down towards the mainboard until the slot levers click into place to secure the module.

Figure 7
RAM-1 Module
Removal (cont'd)

- Pull the release latches.
- Remove the module.



Contact Warning

Be careful not to touch the metal pins on the module's connecting edge. Even the cleanest hands have oils which can attract particles, and degrade the module's performance.



9. RAM Module

Disassembly

Figure 8
RAM-2 Module Removal

- The RAM modules will be visible at point **1** on the mainboard.
- Pull the release latches.
- Remove the module.



Contact Warning

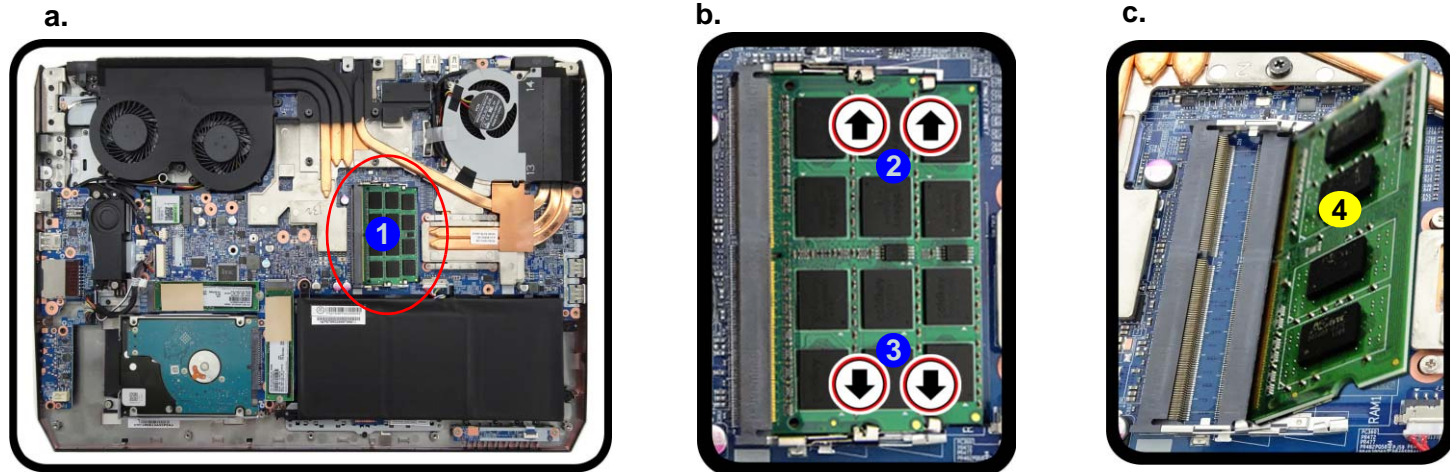
Be careful not to touch the metal pins on the module's connecting edge. Even the cleanest hands have oils which can attract particles, and degrade the module's performance.



4. RAM Module

Memory-2 Upgrade Process

- Turn **off** the computer, turn it over, remove the battery ([page 2 - 6](#)).
- The RAM-2 modules will be visible at point **1** on the mainboard ([Figure 8a](#)).
- Gently pull the two release latches (**2** & **3**) on the sides of the memory socket in the direction indicated by the arrows ([Figure 8b](#)). The RAM module **4** will pop-up ([Figure 8c](#)), and you can then remove it.
- Pull the latches to release the second module if necessary.
- Insert a new module holding it at about a 30° angle and fit the connectors firmly into the memory slot.
- The module will only fit one way as defined by its pin alignment. Make sure the module is seated as far into the slot as it will go. **DO NOT FORCE IT**; it should fit without much pressure.
- Press the module in and down towards the mainboard until the slot levers click into place to secure the module.
- Replace the bottom cover and the screws (see [page 2 - 6](#)).
- Restart the computer to allow the BIOS to register the new memory configuration as it starts up.



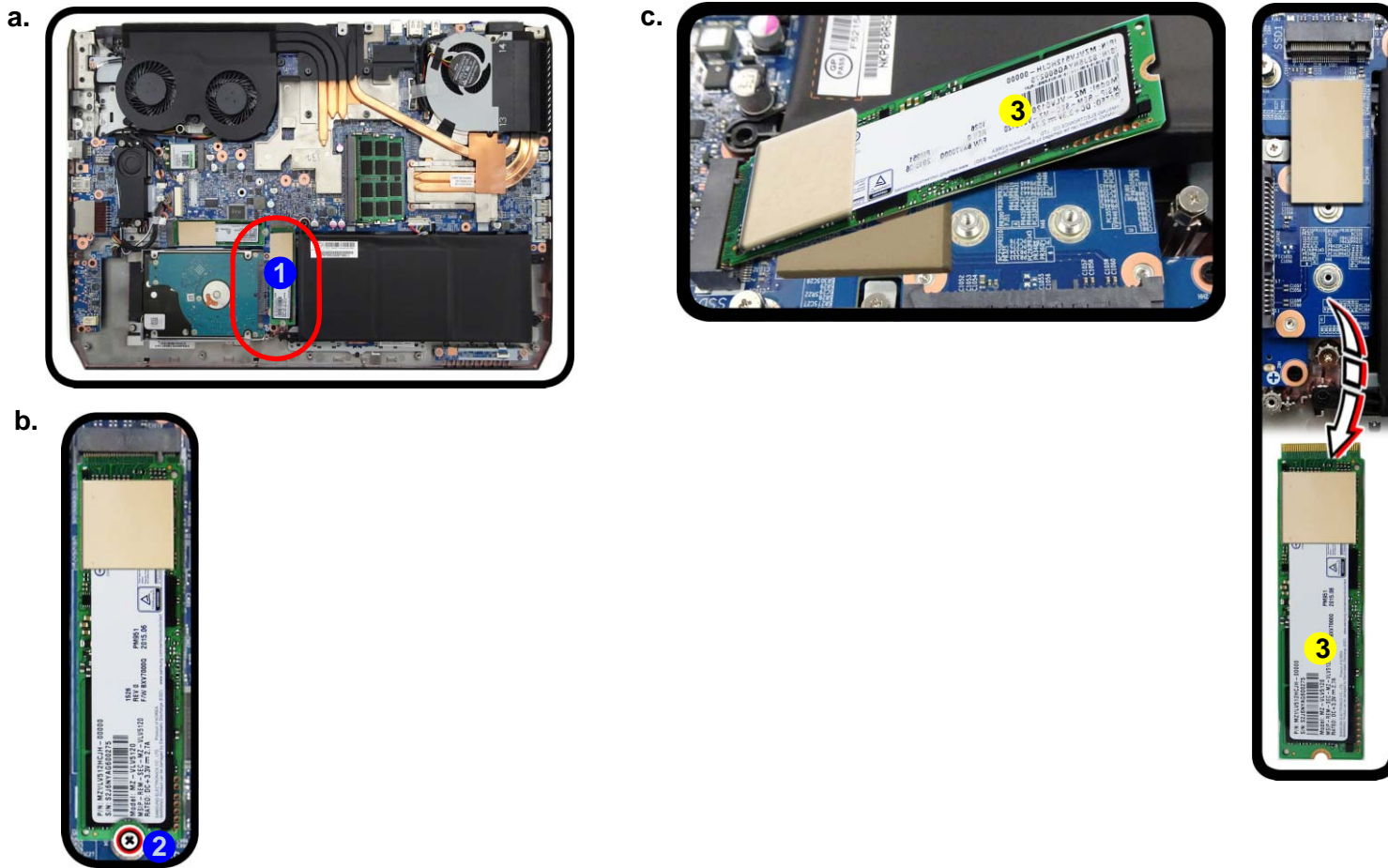
Removing the the M.2 SSD Module

M.2 SSD-1 Removal Procedure

1. Turn **off** the computer, turn it over, remove the battery ([page 2 - 6](#)).
2. The SSD module will be visible at point **1** on the mainboard ([Figure 9a](#)).
3. Remove the screw **2** ([Figure 9b](#))
4. The SSD module **3** ([Figure 9c](#)) will pop-up, and you can remove it from the computer.

Figure 9
M.2 SSD-1 Module Removal

- a. Locate the SSD.
- b. Remove the screw.
- c. The SSD module will pop up.



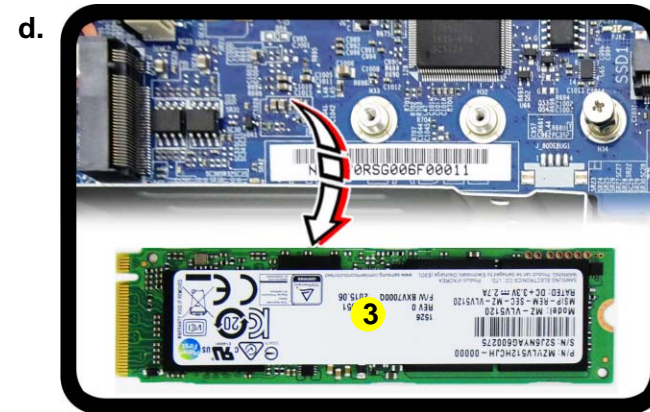
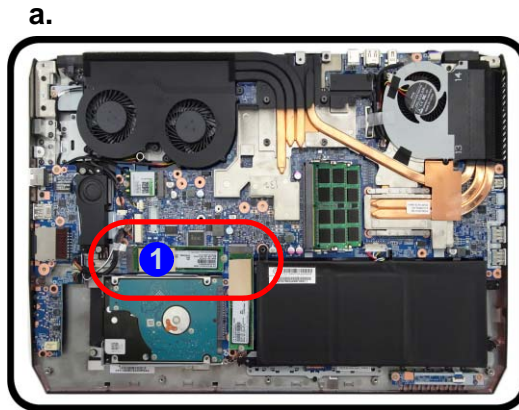
Disassembly

Figure 10
M.2 SSD-2 Module Removal

- Locate the module.
- Disconnect the cables and remove the screw.
- The module will pop-up.
- Lift the module up off the socket.

M.2 SSD-2 Removal Procedure

- Turn off the computer, remove the battery ([page 2 - 6](#)).
- Locate the module, it is visible at point **1** ([Figure 10a](#)).
- Remove the screw **2** from the module ([Figure 10b](#)).
- The module **3** will pop-up ([Figure 10c](#)).
- Lift the module **3** up and off the computer ([Figure 10d](#)).
- Reverse the process to install a new module.



3. M.2 SSD Module

- 1 Screw

Removing the Wireless LAN Module

1. Turn **off** the computer, turn it over, remove the battery ([page 2 - 6](#)).
2. The Wireless LAN module will be visible at point **1** on the mainboard ([Figure 11a](#)).
3. Carefully disconnect the cables **2** & **3**, and then remove the screw **4** ([Figure 11b](#)).
4. The Wireless LAN module **5** ([Figure 11c](#)) will pop-up, and you can remove it from the computer.

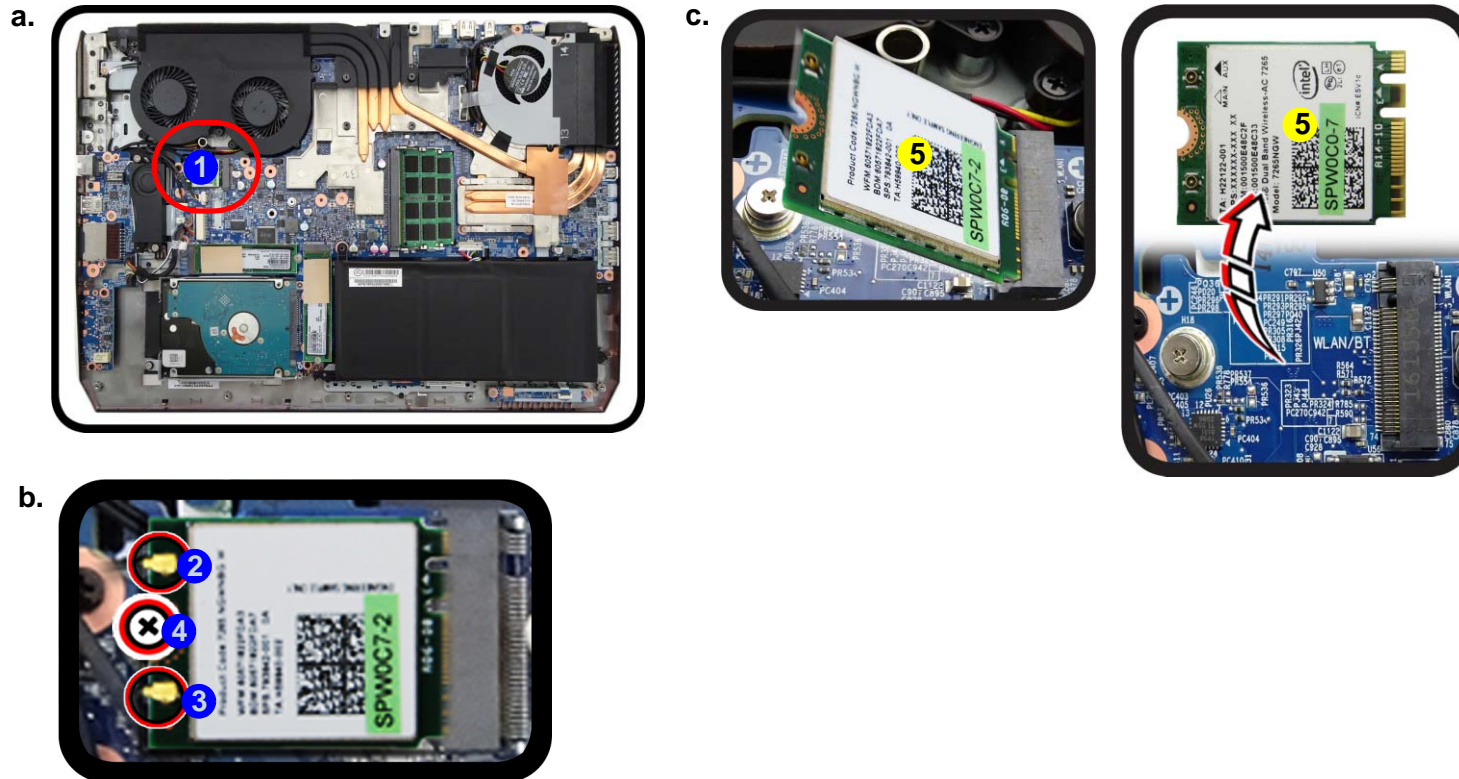



Figure 11
Wireless LAN Module Removal

- a. Locate the WLAN.
- b. Disconnect the cables and remove the screw.
- c. The WLAN module will pop up.

Note: Make sure you reconnect the antenna cable to the “1 + 2” socket ([Figure 11b](#)).



5. Wireless LAN Module

- 1 Screw

Wireless LAN, Combo, 3G & LTE Module Cables

Note that the cables for connecting to the antennae on WLAN, WLAN & Bluetooth Combo, 3G and LTE modules are not labelled. The cables/covers (each cable will have either a black or transparent cable cover) are color coded for identification as outlined in the table below.

Module Type	Antenna Type	Cable Color	Cable Cover Type
WLAN/WLAN & Bluetooth Combo	WM 1	Black	Transparent
	WM 2	Gray	
	WM 3	White	

Cable 1 is usually connected to antenna 1 (Main) on the module, and cable 2 to antenna 2 (Aux).

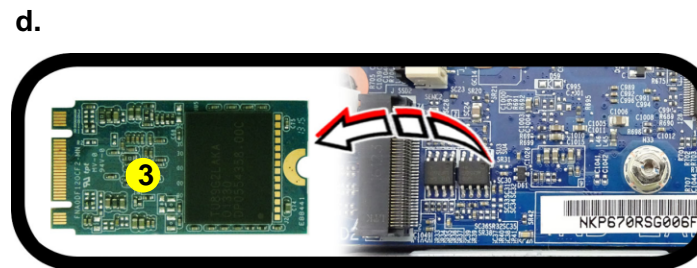
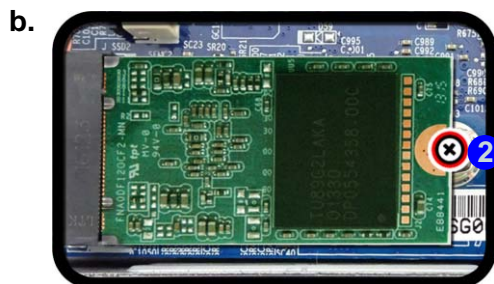
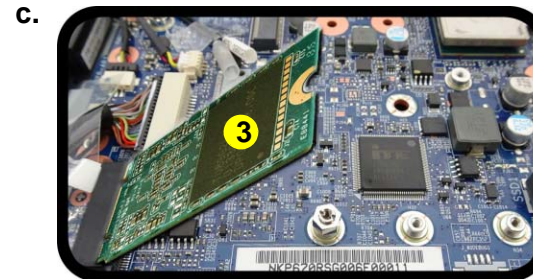
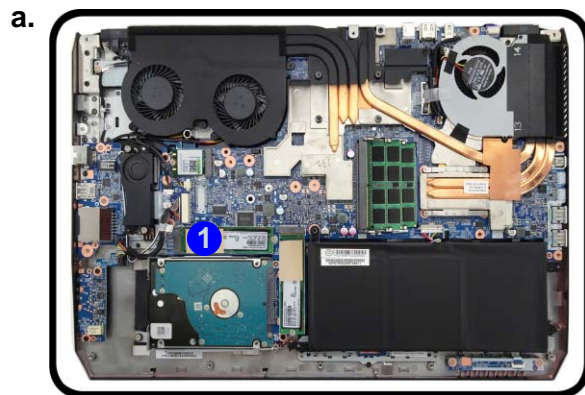
Removing the M.2 SATA Module


M.2 SATA-1 Removal Procedure

1. Turn **off** the computer, remove the battery ([page 2 - 6](#)).
2. Locate the module, it is visible at point **1** ([Figure 12a](#)).
3. Carefully remove the screw **2** from the module ([Figure 12b](#)).
4. The module **3** will pop-up ([Figure 12c](#)).
5. Lift the module **3** up and off the computer ([Figure 12d](#)).
6. Reverse the process to install a new module.

Figure 12
M.2 SATA-1 Module Removal

- a. Locate the module.
- b. Remove the screw.
- c. The module will pop-up.
- d. Lift the module up off the socket.





3. M2 SATA Module

- 1 Screw

Disassembly

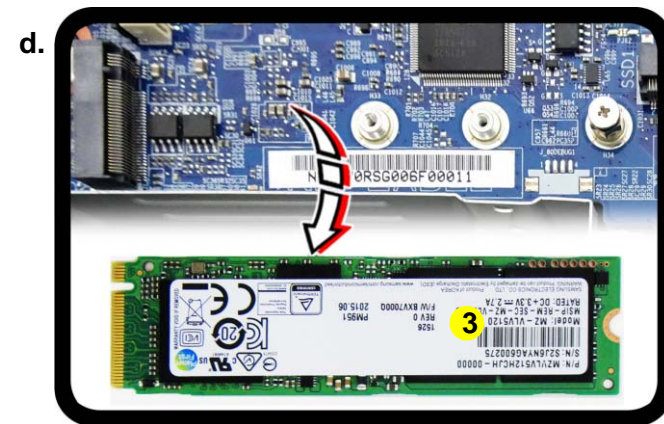
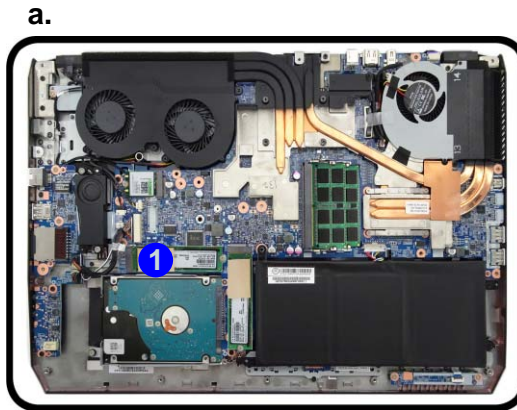
Figure 13

M.2 SATA-2 Module Removal

- Locate the module.
- Disconnect the cables and remove the screw.
- The module will pop-up.
- Lift the module up off the socket.

M.2 SATA-2 Removal Procedure

- Turn off the computer, remove the battery ([page 2 - 6](#)).
- Locate the module, it is visible at point **1** ([Figure 13a](#)).
- Remove the screw **2** from the module ([Figure 13b](#)).
- The module **3** will pop-up ([Figure 13c](#)).
- Lift the module **3** up and off the computer ([Figure 13d](#)).
- Reverse the process to install a new module.



3. M2 SATA Module

- 1 Screw

Appendix A:Part Lists

This appendix breaks down the *P670RS(-G) / P671RS(-G)* series notebook's construction into a series of illustrations. The component part numbers are indicated in the tables opposite the drawings.

Note: This section indicates the *manufacturer's* part numbers. Your organization may use a different system, so be sure to cross-check any relevant documentation.

Note: Some assemblies may have parts in common (especially screws). However, the part lists DO NOT indicate the total number of duplicated parts used.

Note: Be sure to check any update notices. The parts shown in these illustrations are appropriate for the system at the time of publication. Over the product life, some parts may be improved or re-configured, resulting in *new* part numbers.

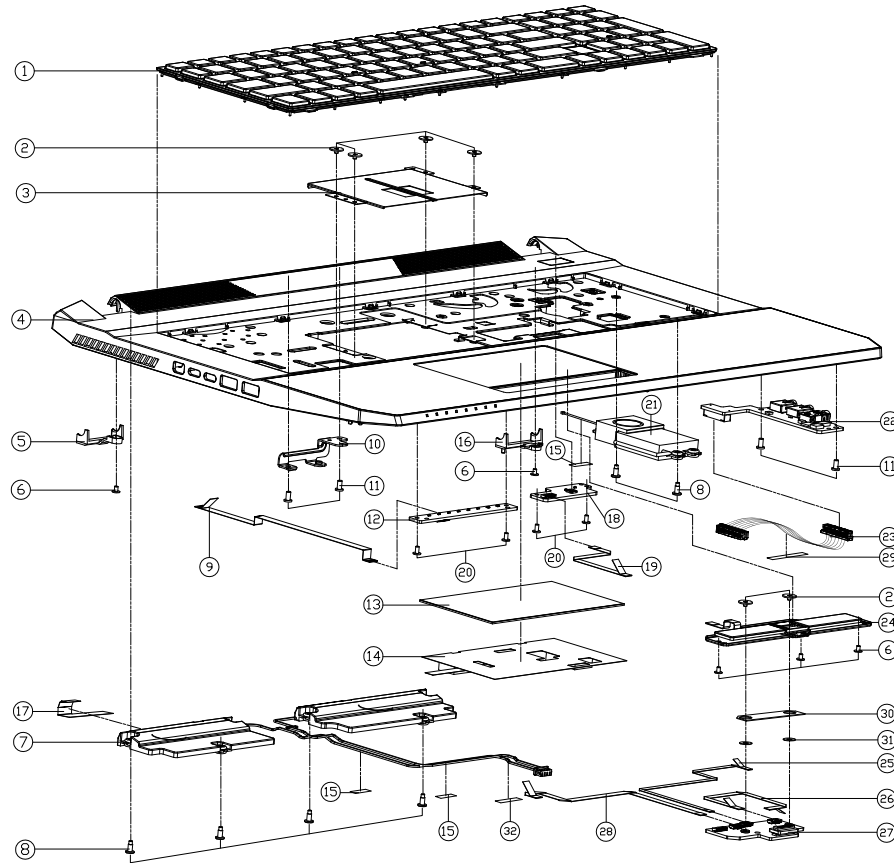
Part List Illustration Location

The following table indicates where to find the appropriate part list illustration.

Table A - 1
**Part List Illustration
Location**

Part	
Top	<i>page A - 3</i>
Bottom	<i>page A - 4</i>
MB	<i>page A - 5</i>
HDD	<i>page A - 6</i>
LCD	<i>page A - 7</i>

Top

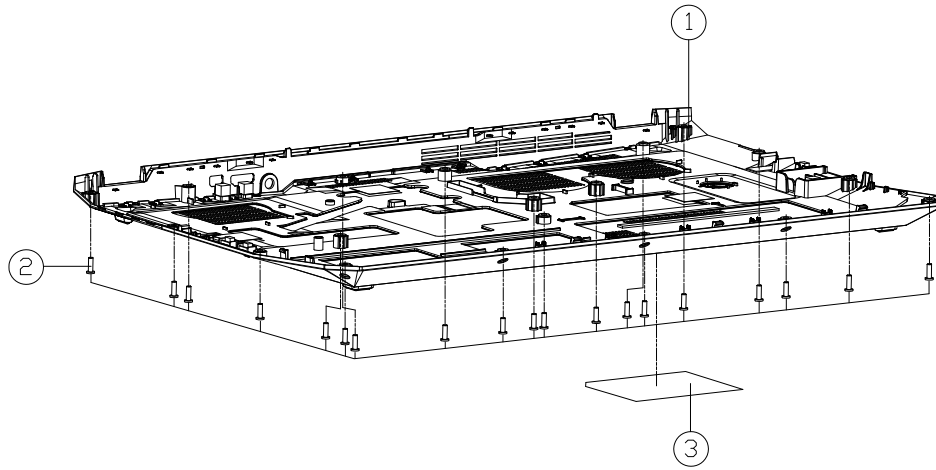


ITEM	PART NAME	PART NO	REMARK
1	WIRE B. 40 GA #28-3030-0000 P650E BLACK COILATION WITH VARIO KEY + 6/8 FRAME	6-80-P6500-013-1	
1	WIRE B. 40 GA #28-3030-0000 P650E BLACK COILATION WITH VARIO KEY + 6/8 FRAME	6-80-P6550-012-1	
2	SCREW M2x2L KI BK/Z ICT NY(Ø8,T=0.6)	6-35-B6120-2RE	
3	DDR BRACKET(SUS304) P650RS	6-33-P65S2-012	
4	TOP CASE MODULE DNKYDKKAPDK P670RS	6-39-P67S2-012-N	
5	HINGE COVER L (SABIC C7230P-BKIC340) P670SG	6-42-P6702-0L1	
6	SCREW M2x3L KI BZ ICT NY (ØD=Ø4.5,DT=0.4)	6-35-B6120-3RD	
7	SPEAKER FRONT PAL 5Wx15.2 2W 40 EEP22A L-2K30M P650E	6-23-5P650-0S1	
8	SCREW M2x6.2L NI ICT NY FDR SPEAKER	6-35-Z1120-6R2	
9	FFC CABLE LED TO MB (P=45) 155MM 60V 12PIN P670SG	6-43-P6700-041	
10	TOP BKT L2 <SECC , T=0.8MM> P670RS	6-33-P67S2-010	
11	SCREW M2.5x5L KI BK/Z ICT NY	6-35-B6125-SRA	
12	LED BOARD V2.0 P670RS	6-77-P67S4-D02	
13	TOUCH PAD SYNAPTICS TM-93163-002 P650RS (ØDØ6MM)	6-49-P65S3-010	
14	TP MYLAR BOTTOM (PET MYLAR+3M467) P670RS	6-40-P67S2-040	
15	TAPE MYLAR TRANSPARENT (20x10x0.05) P180HM	6-40-P1803-020	
16	HINGE COVER R (SABIC C7230P-BKIC340) P670SG	6-42-P6702-0R1	
17	CONDUCTIVE CLOTH FDR SPEAKER P670RS-GM	6-47-P67S2-020-M	
18	POWER BOARD V2.0 P650RS	6-77-P65SC-D02	
19	FFC CABLE POWER TO MB (P=1) 92.5MM 60V 4PIN P670RS	6-43-P67S0-030	
20	SCREW M2x4L KI NI ICT NY (ØD=Ø4.5,DT=0.4)	6-35-B1120-4RE	
21	SPEAKER SUBWOOFER 264W 25W 41 15MM NO GASKET PRECORA P650E	6-23-5P15E-0W3	
22	ESS AUDIO BOARD V2.0B P650RS	6-77-P65S8-D02B	
23	WIRE CABLE FDR ESS AUDIO 65MM 50V 40 PIN P670RS	6-43-P67S0-060	
24	FUNCTION KEY FOR CLICK BUTTON MODULE W/D FINGER P650R6	6-23-KP65R-022	FDR W/D FINGER
24	FUNCTION KEY FOR CLICK BUTTON MODULE W/FINGER P650R6	6-23-KP65R-012	FDR W/FINGER
25	FFC CABLE TRANSFER TO MB (P=45) 195.5MM 60V 8PIN P650R6	6-43-P67R0-011	
26	FFC CABLE TP TO CLICK (P=45) 108.2MM 60V 8PIN P650R6	6-43-P65R0-021	
27	CLICK TRANSFER BOARD (W/F) V2.0 FINGER SENDER BOARD V1.0 P650RS	6-77-P65SA-N02	FDR W/FINGER
27	CLICK TRANSFER BOARD (W/D/FPP) V2.0 P650RS	6-77-P65S2-D02-1	FDR W/D FINGER
28	FFC CABLE FINGER TO MB (P=1) 106.4MM 60V 4P P670RS	6-43-P67S0-051	ONLY FDR FINGER
29	TAPE MYLAR (A) MYLAR M550J	6-40-M55J2-010	
30	CLICK W/D FP MYLAR PET (48x14x0.5T) P650SE	6-40-P6502-080	ONLY FDR W/D FINGER
31	TP NUT MYLAR PC P770ZM	6-40-P770S-010	ONLY FDR FINGER
32	TAPE MYLAR TRANSPARENT (30x5x0.05) W251HPQ	6-40-W25P3-010	

Figure A - 1
Top

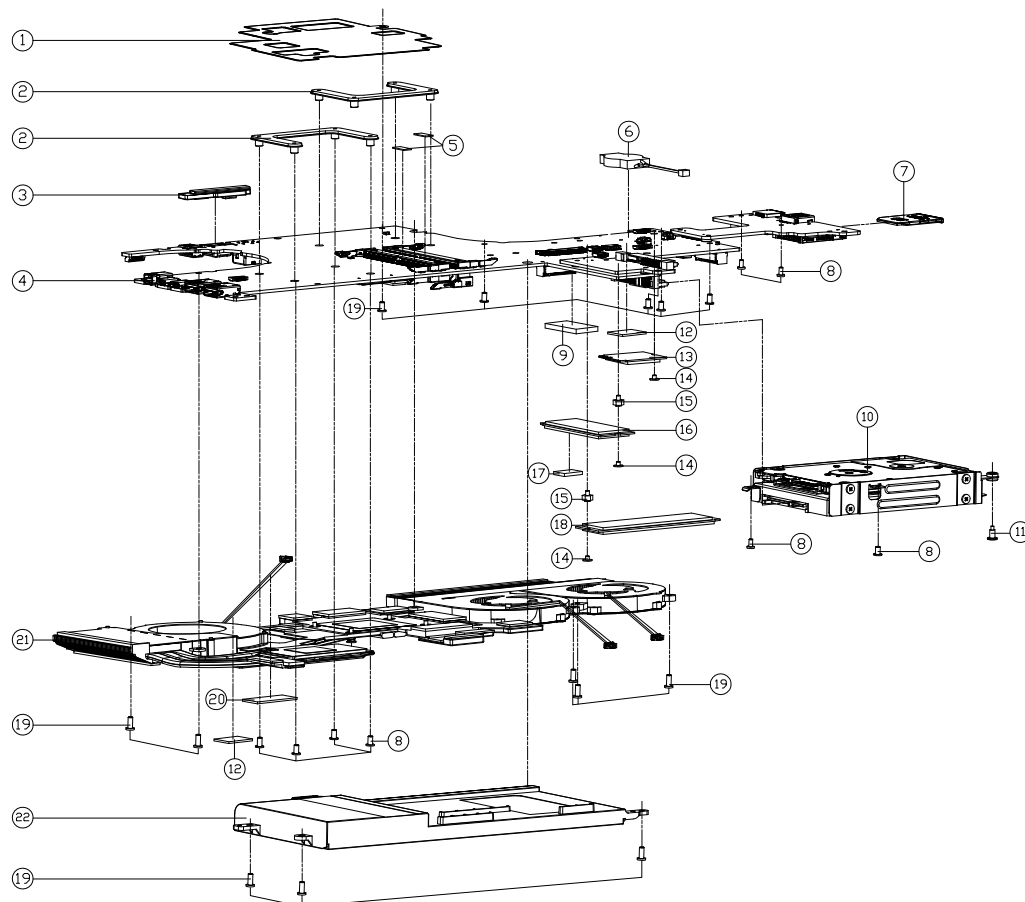
Bottom

Figure A - 2
Bottom



ITEM	PART NAME	PART NO	REMARK
1	(PRE-PROCESS) BOTTOM CASE MODULE P670RS	6-78-P670RS03-010	
1	(PRE-PROCESS) BOTTOM CASE MODULE P671RS	6-78-P671RS03-010	
1	(PRE-PROCESS) BOTTOM CASE MODULE + ID COVER RING P670RS-QM	6-78-P670RSQ3-010-M	
1	(PRE-PROCESS) BOTTOM CASE MODULE P670RP6	6-78-P670RP63-010	
1	(PRE-PROCESS) BOTTOM CASE MODULE P671RP6	6-78-P671RP63-010	
2	SCREW M2.5*8L K1 BK/Z NY ICT	6-35-B6125-8RO	
3	PRODUCT LABEL FOR P670RS (FOLLOW NEW CE SAFETY)	6-45-P670RS03-011	
3	PRODUCT LABEL FOR P671RS (FOLLOW NEW CE SAFETY)	6-45-P671RS03-011	
3	PRODUCT LABEL FOR P670RS-G (FOLLOW NEW CE SAFETY)	6-45-P670RSQ3-011	
3	PRODUCT LABEL FOR P670RS-G (FOLLOW NEW CE SAFETY)	6-45-P671RSQ3-011	
3	PRODUCT LABEL/MEDIA ERASER X7849 FOR P670RS-QM (MEDI)	6-45-P670RSQM-011	
3	PRODUCT LABEL FOR P670RP6 (FOLLOW NEW CE SAFETY)	6-45-P670RP63-011	
3	PRODUCT LABEL FOR P671RP6 (FOLLOW NEW CE SAFETY)	6-45-P671RP63-011	
3	PRODUCT LABEL/MEDIA ERASER X7847 FOR P670RP6-M	6-45-P670RP6M-010	

MB

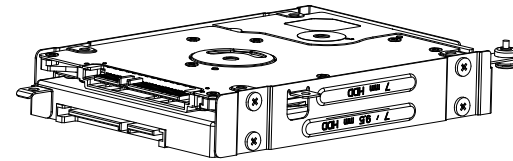
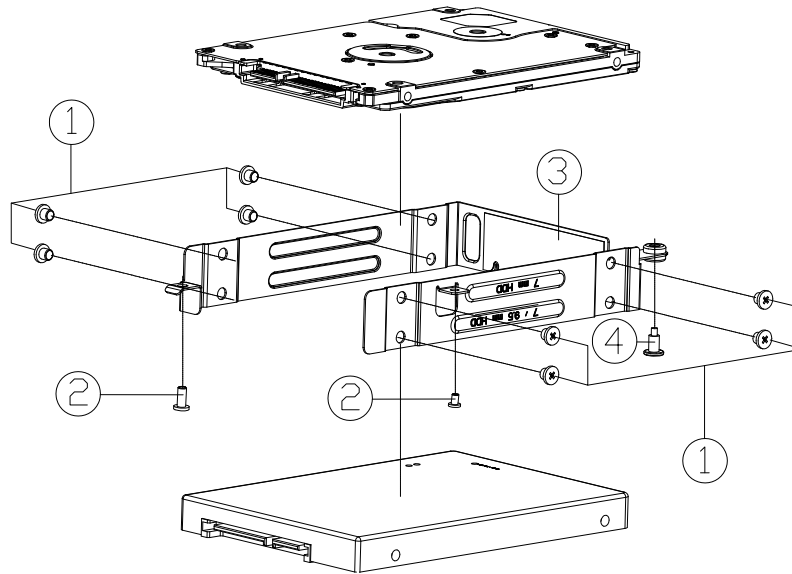


ITEM	PART NAME	PART NO	REMARK
1	CONDUCTIVE CLOTH FOR CPU P670RS-010-M	6-47-P67SS-010-M	
2	CPU SUPPORT BRACKET SEC. F&Z MET. ADJ. KUM. PS&P	6-33-P65PS-011	
3	HOME SAFETY RUBBER (SILICONE RUBBER) P670RS-011-M	6-47-P67SS-021-M	
4	NO. INDENTY CONDUCTIVE CLOTH FOR CPU W/PS&P FROM CPU&RUBBER WITH CONDUCTIVE	6-77-P670RS0A-N02A-1B	
4	NO. INDENTY CONDUCTIVE CLOTH FOR CPU W/PS&P FROM CPU&RUBBER WITH CONDUCTIVE	6-77-P670RS0A-N02A-A	
4	NO. INDENTY CONDUCTIVE CLOTH FOR CPU W/PS&P FROM CPU&RUBBER WITH CONDUCTIVE	6-77-P670RS0A-N02A-B	
4	NO. INDENTY CONDUCTIVE CLOTH FOR CPU W/PS&P FROM CPU&RUBBER WITH CONDUCTIVE	6-77-P670RS0A-N02A-1B	
4	NO. INDENTY CONDUCTIVE CLOTH FOR CPU W/PS&P FROM CPU&RUBBER WITH CONDUCTIVE	6-77-P670RS0A-N02A-A	
4	NO. INDENTY CONDUCTIVE CLOTH FOR CPU W/PS&P FROM CPU&RUBBER WITH CONDUCTIVE	6-77-P670RS0A-N02A-B	
4	NO. INDENTY CONDUCTIVE CLOTH FOR CPU W/PS&P FROM CPU&RUBBER WITH CONDUCTIVE	6-77-P670R06A-N02A-1B	
4	NO. INDENTY CONDUCTIVE CLOTH FOR CPU W/PS&P FROM CPU&RUBBER WITH CONDUCTIVE	6-77-P670R06A-N02A-A	
4	NO. INDENTY CONDUCTIVE CLOTH FOR CPU W/PS&P FROM CPU&RUBBER WITH CONDUCTIVE	6-77-P670R06A-N02A-B	
4	NO. INDENTY CONDUCTIVE CLOTH FOR CPU W/PS&P FROM CPU&RUBBER WITH CONDUCTIVE	6-77-P670R06A-N02A-1A	
4	NO. INDENTY CONDUCTIVE CLOTH FOR CPU W/PS&P FROM CPU&RUBBER WITH CONDUCTIVE	6-77-P670R06A-N02A-A	
4	NO. INDENTY CONDUCTIVE CLOTH FOR CPU W/PS&P FROM CPU&RUBBER WITH CONDUCTIVE	6-77-P670R06A-N02A-1A	
4	NO. INDENTY CONDUCTIVE CLOTH FOR CPU W/PS&P FROM CPU&RUBBER WITH CONDUCTIVE	6-77-P670R06A-N02A-A	
5	HOME SAFETY RUBBER (SILICONE RUBBER) PS&P	6-47-P65RS-011	
6	SMALL 20W 3V 200MA WINDING WITH CONDUCTIVE (OPTIONAL)	6-23-2201S-1ED	
7	SHIM 30 PAIR PAPER TYPE PLATE (OPTIONAL) W/PS&P	6-42-W970B-010	
8	SCREW M2.5X4.0 KI. NI. CT. NY. (COP-44.5, DT-44)	6-35-B1120-4RE	
9	THEMAL PAD (3500) CONDUCTIVE FOR REZ. SSD PS&P	6-48-P65SS-010	
10	W/D HDD ASS'Y P670RS	6-79-P670RS0J-010	
10	W/HDD ASS'Y P670RS	6-79-P670RS0J-020	
10	W/D 2ND HDD ASS'Y P670RS	6-79-P670RS0J-030	
10	W/ 2ND HDD ASS'Y P670RS	6-79-P670RS0J-040	
11	SCREW M2.5X4.0 KI. NI. CT. NY. FOR. SPEAKER	6-35-Z1120-6R2	
12	TAPE MYLAR TRANSPARENT (CONDUCTIVE) PIEZOMEM.	6-40-P1803-020	
13	SCREW M2.5X4.0 KI. NI. CT. NY. FOR. SPEAKER	6-88-P67RF-4200	OPTION
13	SCREW M2.5X4.0 KI. NI. CT. NY. FOR. SPEAKER	6-88-W95LF-4240	OPTION
13	SCREW M2.5X4.0 KI. NI. CT. NY. FOR. SPEAKER	6-88-N240F-4200	OPTION
13	SCREW M2.5X4.0 KI. NI. CT. NY. FOR. SPEAKER	6-88-P75DF-9601	OPTION
14	SCREW M2.5X4.0 KI. NI. CT. NY. (COP-44.5, DT-44)	6-35-B1120-2R0	
15	SCREW M2.5X4.0 KI. NI. CT. NY. (COP-44.5, DT-44)	6-35-ZA120-2RS	
16	SSD REZ. 2500 SERIES CONDUCT. (CONDUCTIVE) PHOTO SHIM REZ. CPU	6-85-D515B-101	OPTION
16	SSD REZ. 2500 SERIES CONDUCT. (CONDUCTIVE) PHOTO SHIM REZ. CPU	6-85-D515B-S01	OPTION
16	SSD REZ. 2500 SERIES CONDUCT. (CONDUCTIVE) PHOTO SHIM REZ. CPU	6-85-D51R0-100	OPTION
16	SSD REZ. 2500 SERIES CONDUCT. (CONDUCTIVE) PHOTO SHIM REZ. CPU	6-85-D515B-S02	OPTION
16	SSD REZ. 2500 SERIES CONDUCT. (CONDUCTIVE) PHOTO SHIM REZ. CPU	6-85-D515B-S03	OPTION
16	SSD REZ. 2500 SERIES CONDUCT. (CONDUCTIVE) PHOTO SHIM REZ. CPU	6-85-D515A-100	OPTION
17	THEMAL PAD (3500) CONDUCTIVE FOR P670RS	6-48-P67SS-010	
18	SSD REZ. 2500 SERIES CONDUCT. (CONDUCTIVE) PHOTO SHIM REZ. CPU	6-85-D515B-101	OPTION
18	SSD REZ. 2500 SERIES CONDUCT. (CONDUCTIVE) PHOTO SHIM REZ. CPU	6-85-D515B-S01	OPTION
18	SSD REZ. 2500 SERIES CONDUCT. (CONDUCTIVE) PHOTO SHIM REZ. CPU	6-85-D51R0-100	OPTION
18	SSD REZ. 2500 SERIES CONDUCT. (CONDUCTIVE) PHOTO SHIM REZ. CPU	6-85-D515A-100	OPTION
19	SCREW M2.5X4.0 KI. NI. CT. NY.	6-35-B6125-5RA	
20	TAPE MYLAR (C) MYLAR M550J	6-40-M55J2-030	
21	CPU & VGA HEATSINK MODULE WITH FAN PS&P	6-31-P65SS-102	
22	TAPE MYLAR (C) MYLAR M550J	6-87-P650S-4253	
22	TAPE MYLAR (C) MYLAR M550J	6-87-P650S-4U32	

Figure A - 3
MB

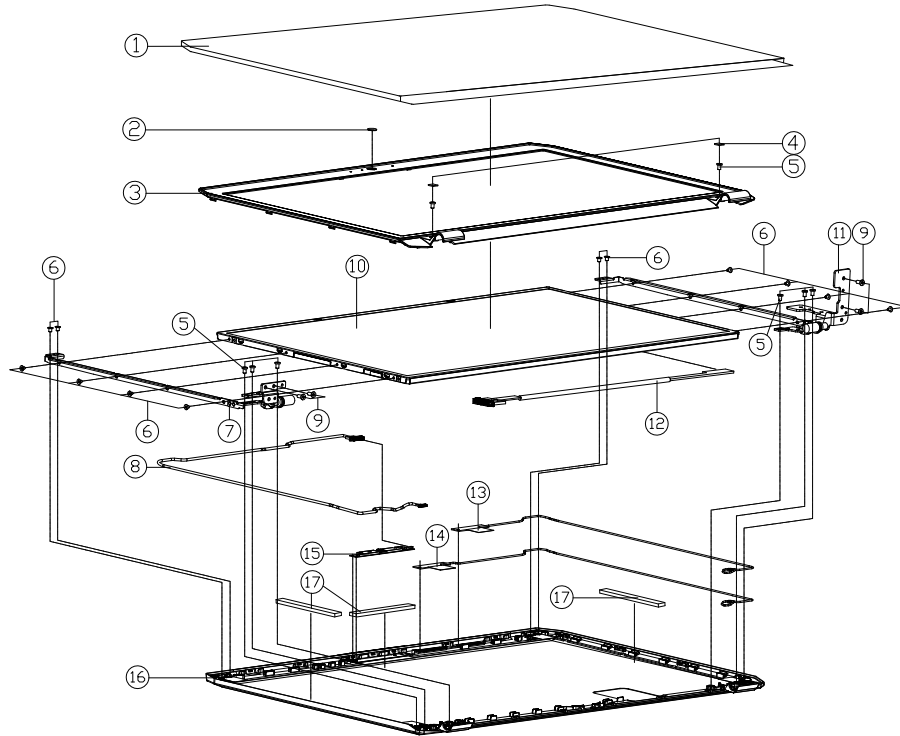
HDD

Figure A - 4
HDD



ITEM	PART NAME	PART NO	REMARK
1	SCREW M3*2.5L KI NI ICT NY	6-35-B1130-2R5	
2	SCREW M2*4L KI NI ICT NY (DD=#4.5,DT=0.4)	6-35-B1120-4RE	
3	HDD BKT SECC P670SG	6-33-P6702-061	
4	SCREW M2*6.2L NI ICT NY FOR SPEAKER	6-35-Z1120-6R2	

LCD



ITEM	PART NAME	PART NO	REMARK
1	BCPP MYLAR 272*437*1±0.05 FOR P670RS	6-40-P67S1-010	
2	LCD CCD LENS PMMA P177SM (ELAYNE)	6-42-P177T-010-1	
3	LCD FRONT COVER MODULE(CHANGE) P670SG	6-39-P6701-013	
4	RUBBER FRONT COVER SCREW SILICONE W970SUW	6-47-W9701-041	
5	SCREW M2.5*4L K1 BK/D ICT NY	6-35-B4125-4RA	
6	SCREW M2*3L KI NI ICT NY (DD=#4.5,DT=0.4)	6-35-B1120-3RE	
7	HINGE L (SECC+SK7) P670SG	6-33-P6701-0L0	
7	HINGE A-TYPE L (SGCC+SK7) P670SG	6-33-P6701-1L0	
7	HINGE B-TYPE L (SGCC+SK7) P670SG	6-33-P6701-2L0	
8	WIRE CABLE FOR CCD SB00M 30V BPN (CM) P670SG	6-43-P670T-010-1	
9	SCREW M2.5*5L K1 BK/Z ICT NY	6-35-B6125-5RA	
10	LCD 17.3" FHD (EDP) CHIMEI N173HGE-EX(LED) 6.0 MM	6-50-NB260-D03	
10	LCD 17.3" FHD AU B173HW02 V(ILED) 6.0 MM	6-50-NB260-G04	
10	LCD 17.3" FHD CHIMEI N173HGE-L11 (LED) 6.0 MM	6-50-NB260-D01	
10	LCD 17.3" FHD / IPS / EDP LG (P770M+9H) "SUPER 5W 6-0M" 4.0MM 6.0MM	6-50-NB262-L00	
10	LCD 17.3" FHD (EDP) AU B173HTM01 (LED) 6.0 MM	6-50-NB260-G06	
11	HINGE R (SECC+SK7) P670SG	6-33-P6701-0R0	
11	HINGE A-TYPE R (SGCC+SK7) P670SG	6-33-P6701-1R0	
11	HINGE B-TYPE R (SGCC+SK7) P670SG	6-33-P6701-2R0	
12	WIRE CABLE FOR EDP 400M 30V 3P (CM)/TEL (CM)HUB080 P670SG	6-43-P6701-022-1C	
12	WIRE CABLE FOR LVDS 400M 30V 4P (CM)/TEL (CM)HUB080 P670SG	6-43-P6701-012-1C	
12	WIRE CABLE FOR LVDS 400M 30V 4P (CM)/LV (CM)HUB080-220 P670SG	6-43-P6701-012-N	
13	ANTENNA WLAN VGT M2 PCB 24G/5G PEEM L-600MM BLACK CABLE P670SG	6-23-7P650-021	
14	ANTENNA WLAN VGT M1 PCB 24G/5G PEEM L-600MM P670SG	6-23-7P650-011	
15	INK COVER DESIGN FOR DISPLAYMODULE BY THE DESIGN HOUSE FROM VARIOUS LCD VERSIONS	6-88-W65DC-5100	OPTION
15	INK COVER DESIGN FOR DISPLAYMODULE BY THE DESIGN HOUSE FROM VARIOUS LCD VERSIONS	6-88-P872C-4901	OPTION
16	LCD BACK COVER MODULE P670SG	6-39-P6701-022	
16	LCD BACK COVER MODULE (FOR ALL LCD) P670SG	6-39-P6701-120	
17	SPONGE (322830*6000) 65#6431 FOR LCD B-TYPE P670SG	6-47-0019A-659	ONLY FOR IPS/EDP

Figure A - 5
LCD



Appendix B: Schematic Diagrams

This appendix has circuit diagrams of the *P670RS(-G) / P671RS(-G)* notebook's PCB's. The following table indicates where to find the appropriate schematic diagram.

Diagram - Page	Diagram - Page	Diagram - Page	Diagram - Page
System Block Diagram - Page B - 3	Frame Buffer Partition C_D - Page B - 27	M.2 3G/LTE - Page B - 51	VCC_Core & VCCSA - Page B - 75
Processor 1/7 - Page B - 4	GPU Decoupling 1 - Page B - 28	Realtek ALC898 - Page B - 52	VCore Output Stage - Page B - 76
Processor 2/7 - Page B - 5	GPU Decoupling 2 - Page B - 29	TPA2008D2 - Page B - 53	VCCGT - Page B - 77
Processor 3/7 - Page B - 6	Straps & XTAL - Page B - 30	Subwoofer - Page B - 54	VCCGT Output Stage - Page B - 78
Processor 4/7 - Page B - 7	IFP I/O Interface - Page B - 31	AR_TBT - Page B - 55	Audio Board P65_ESS_A 1/3 - Page B - 79
Processor 5/7 - Page B - 8	Misc - GPIO, I2C and ROM - Page B - 32	AR_Power - Page B - 56	Audio Board P65_ESS_A 2/3 - Page B - 80
Processor 6/7 - Page B - 9	NVIDIA Power Sequence - Page B - 33	TPS65982 - Page B - 57	Audio Board P65_ESS_A 3/3 - Page B - 81
Processor 7/7 - Page B - 10	GPIO Level Shift - Page B - 34	TPS65982-1 - Page B - 58	Audio Board P67_3DAMP_E - Page B - 82
DDR CHA SO-DIMM_0 - Page B - 11	GPU NVVDD, FBVDDQ - Page B - 35	AR_Conn - Page B - 59	P650RS Power Board - Page B - 83
DDR CHA SO-DIMM_1 - Page B - 12	GPU GND - Page B - 36	TPM, CCD, TP - Page B - 60	P650RS HDD Board - Page B - 84
DDR CHB SO-DIMM_0 - Page B - 13	PCH 1/9 - Page B - 37	Fan, LID, KB LED - Page B - 61	P650RS LED Board - Page B - 85
DDR CHB SO-DIMM_1 - Page B - 14	PCH 2/9 - Page B - 38	Connector - Page B - 62	P650RS FP Board - Page B - 86
Panel, Inverter - Page B - 15	PCH 3/9 - Page B - 39	DDR 1.2V/0.6V - Page B - 63	P650RS Click Board - Page B - 87
Mini DP Port E - Page B - 16	PCH 4/9 - Page B - 40	VDD3, VDD5 - Page B - 64	P650RS USB Board 1/3 - Page B - 88
Mini DP Port F + PS8330B - Page B - 17	PCH 5/9 - Page B - 41	5V, 5VS, 3.3V, 3.3VS, 3.3V - Page B - 65	P650RS USB Board 2/3 - Page B - 89
HDMI - Page B - 18	PCH 6/9 - Page B - 42	Power 1.0V, VCCIO - Page B - 66	P650RS USB Board 3/3 - Page B - 90
VGA PCI Express - Page B - 19	PCH 7/9 - Page B - 43	AC_In, Charger - Page B - 67	P670RS LED Board - Page B - 91
VGA Frame Buffer Partition - Page B - 20	PCH 8/9 - Page B - 44	1.0DX_VCCSTG/VCCSFR_OC/2.5V - Page B - 68	P670RS USB Board 1/2 - Page B - 92
Frame Buffer Partition A - Page B - 21	PCH 9/9 - Page B - 45	IV8_RUN/AON, NV3V3 - Page B - 69	P670RS USB Board 2/2 - Page B - 93
Frame Buffer Partition B - Page B - 22	KBC IT8587 - Page B - 46	NVVDD Phase 1 & 2 - Page B - 70	
Frame Buffer Partition A_B - Page B - 23	RGB KB Only - Page B - 47	NVVDD Phase 3~4 - Page B - 71	
GPU Frame Buffer Partition - Page B - 24	USB Charger - Page B - 48	NVVDDS - Page B - 72	
Frame Buffer Partition C - Page B - 25	M.2 WiGig/WLAN + BT - Page B - 49	PEX_VDD - Page B - 73	
Frame Buffer Partition D - Page B - 26	M.2 PCIE4X SSD - Page B - 50	FBVDDQ - Page B - 74	

Table B - 1
**SCHEMATIC
DIAGRAMS**

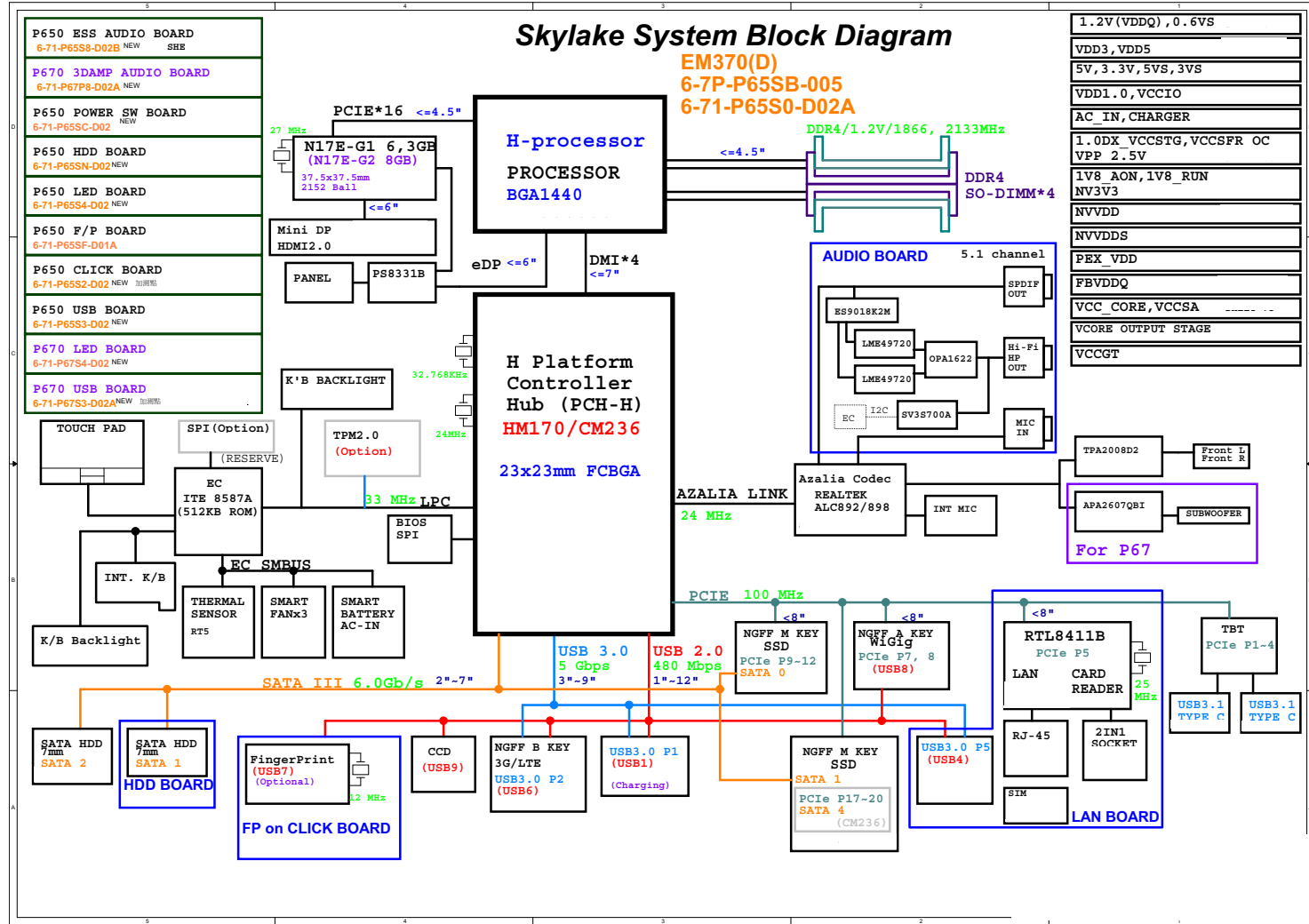


Version Note

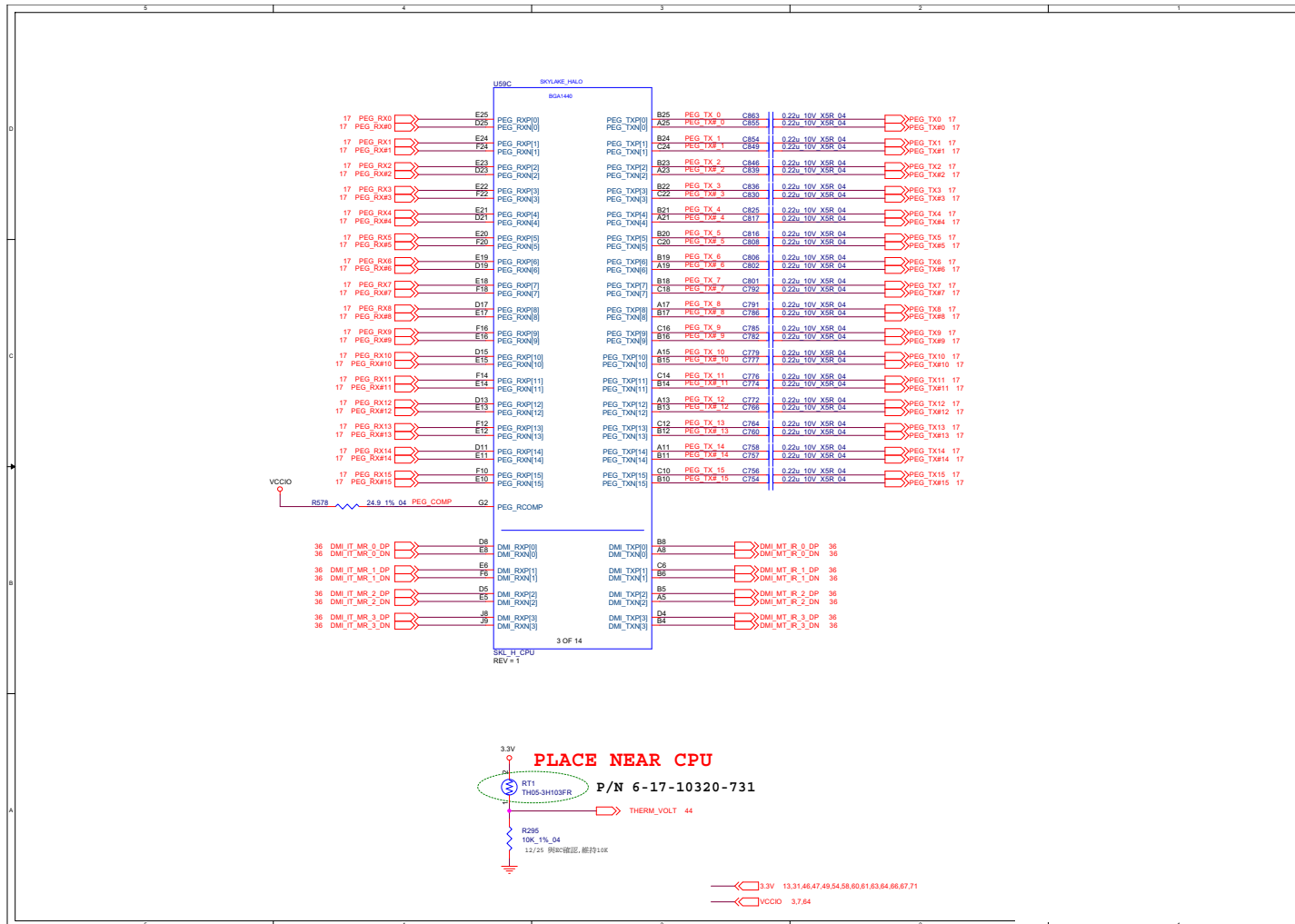
The schematic diagrams in this chapter are based upon version 6-7P-P65SB-005. If your mainboard (or other boards) are a later version, please check with the Service Center for updated diagrams (if required).

System Block Diagram

Sheet 1 of 91
System Block
Diagram



Processor 1/7

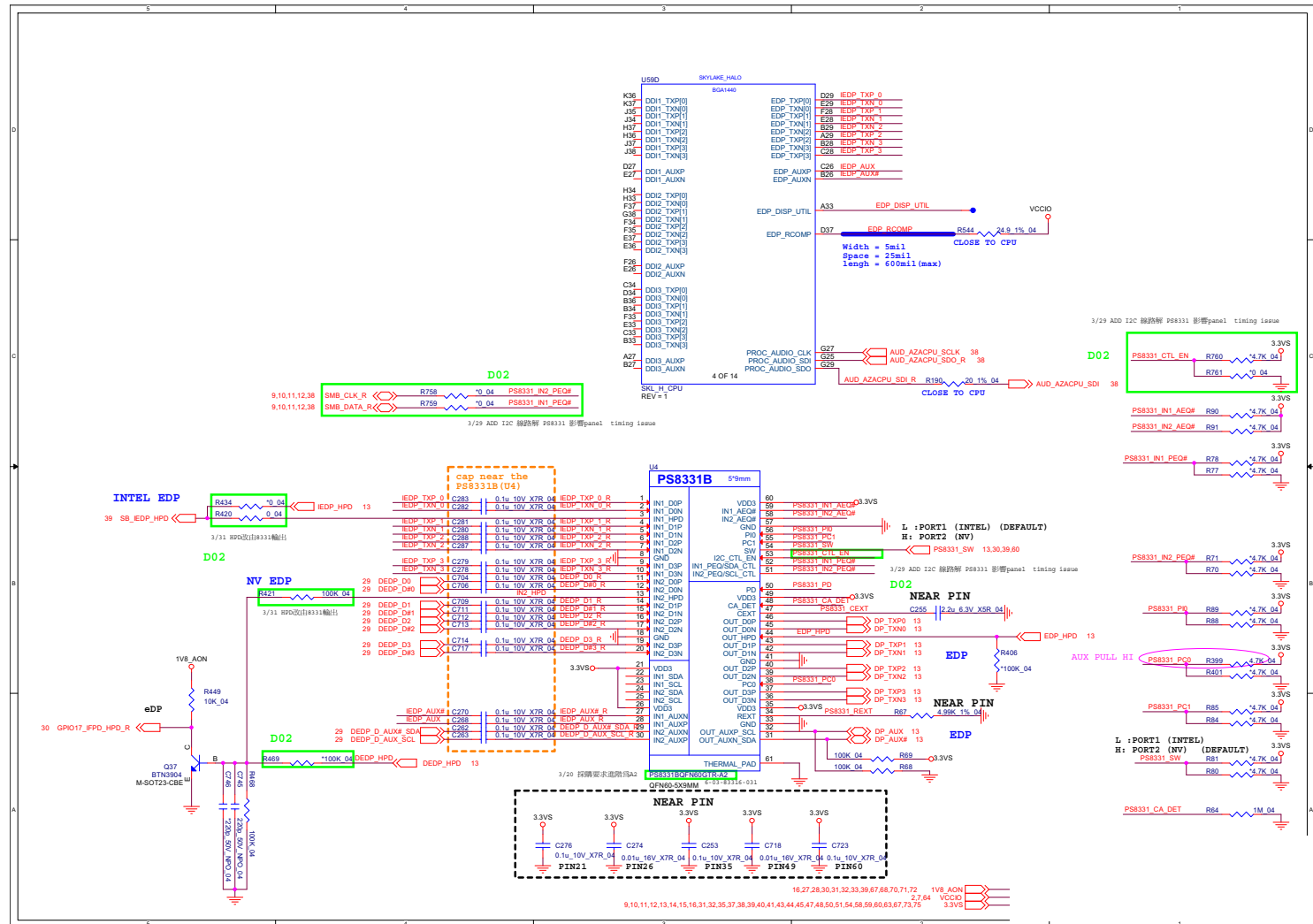


B.Schematic Diagrams

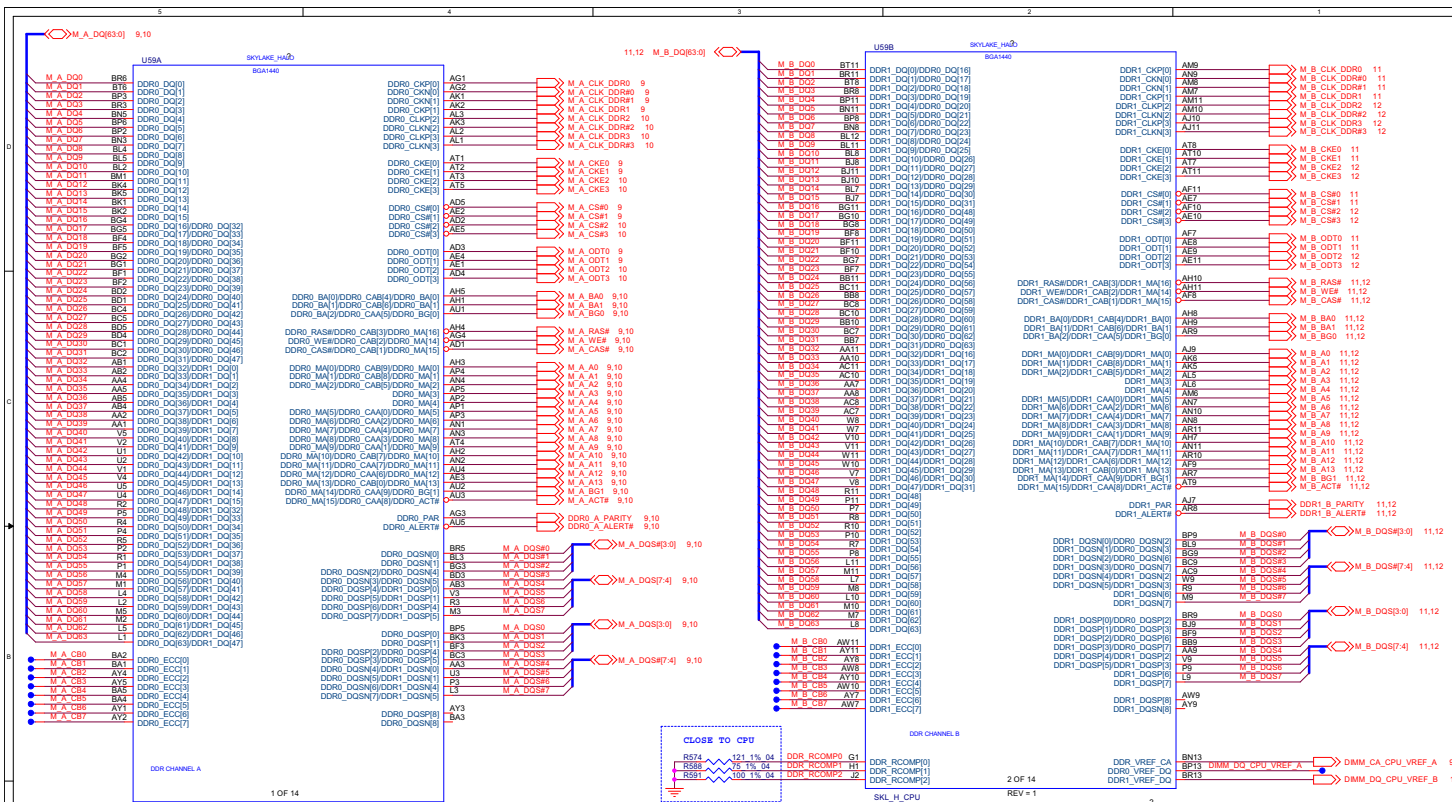
Sheet 2 of 91
Processor 1/7

Processor 2/7

Sheet 3 of 91
Processor 2/7



Processor 3/7

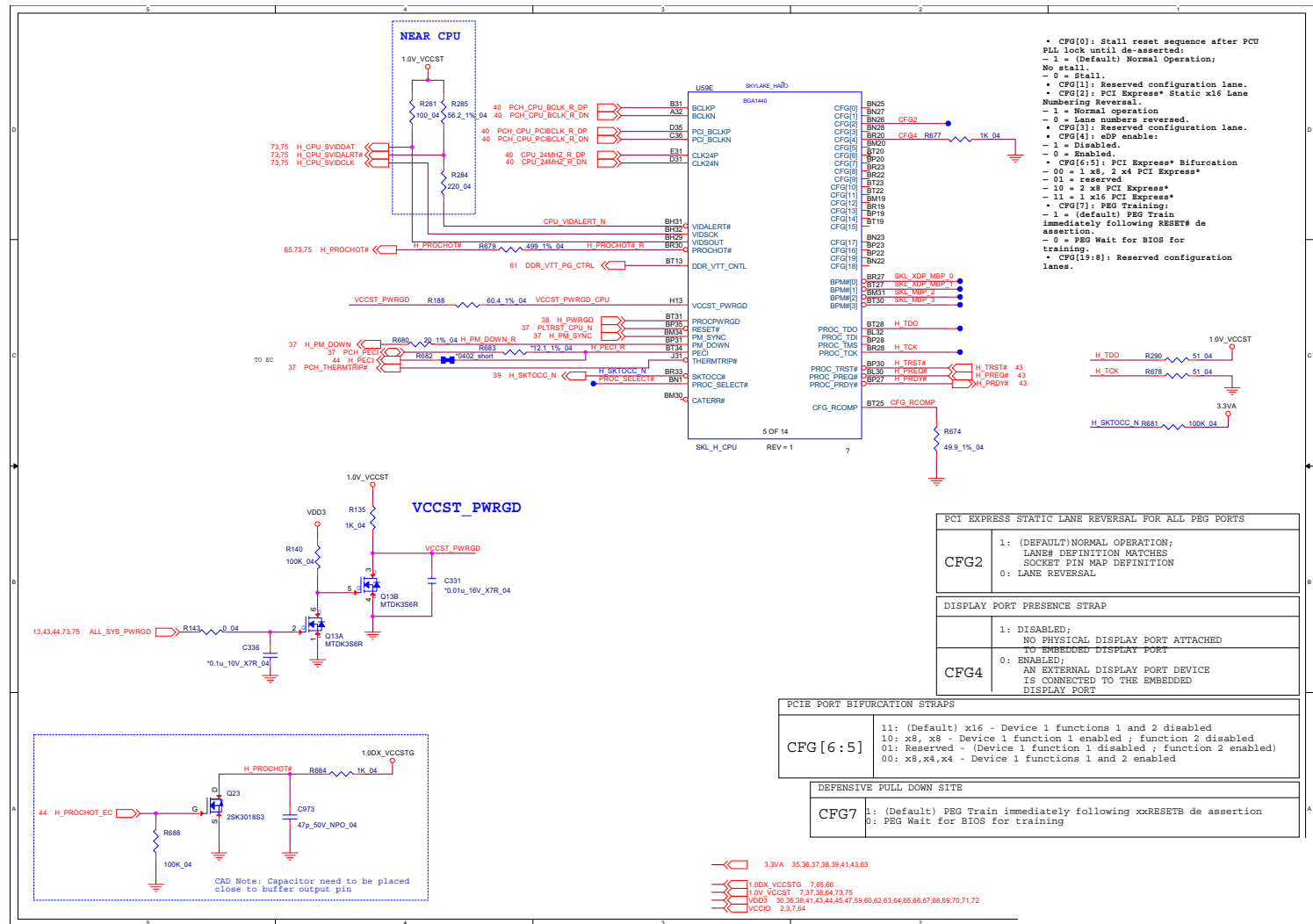


Sheet 4 of 91
Processor 3/7

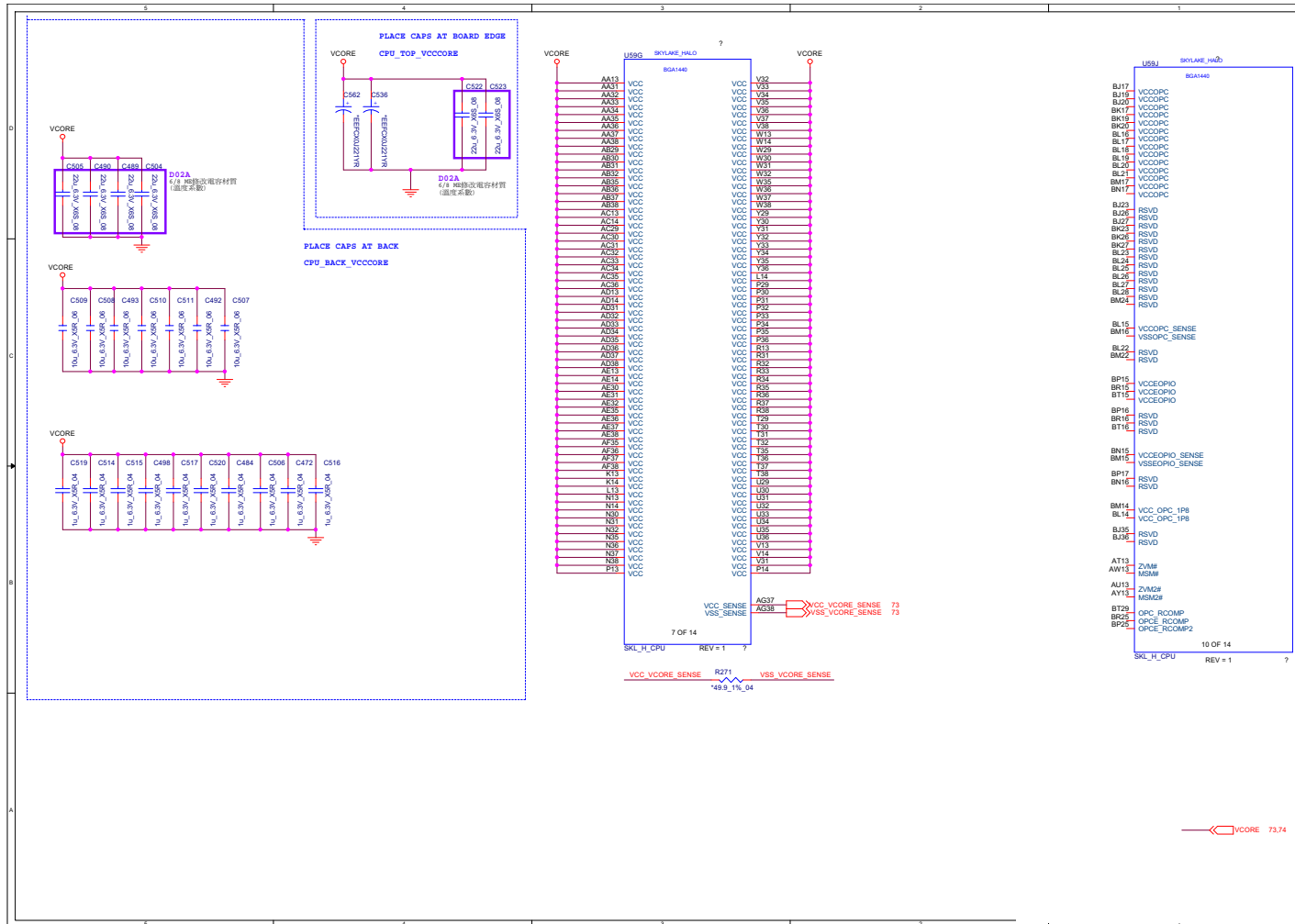
B.Schematic Diagrams

Processor 4/7

Sheet 5 of 91
Processor 4/7



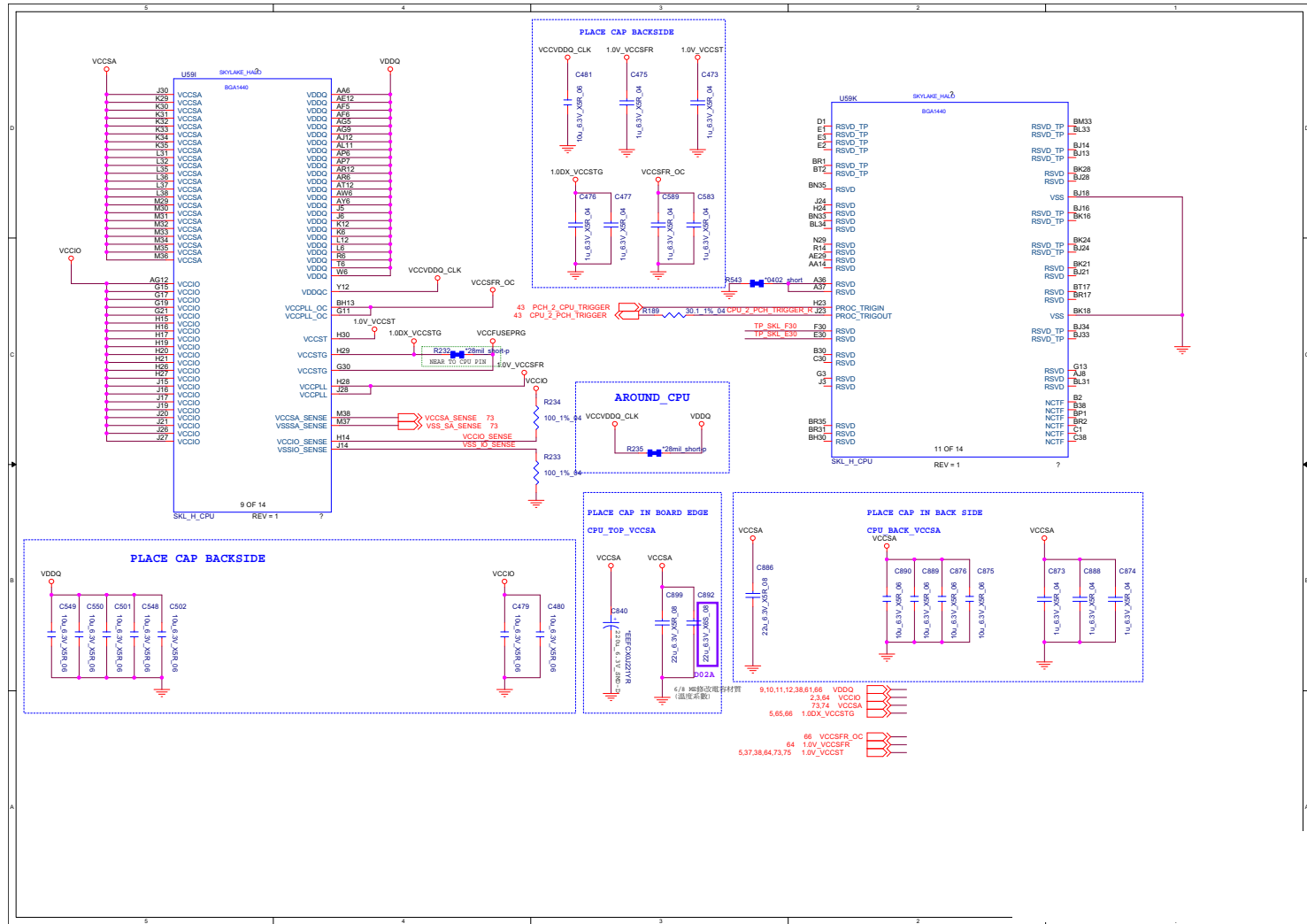
Processor 5/7



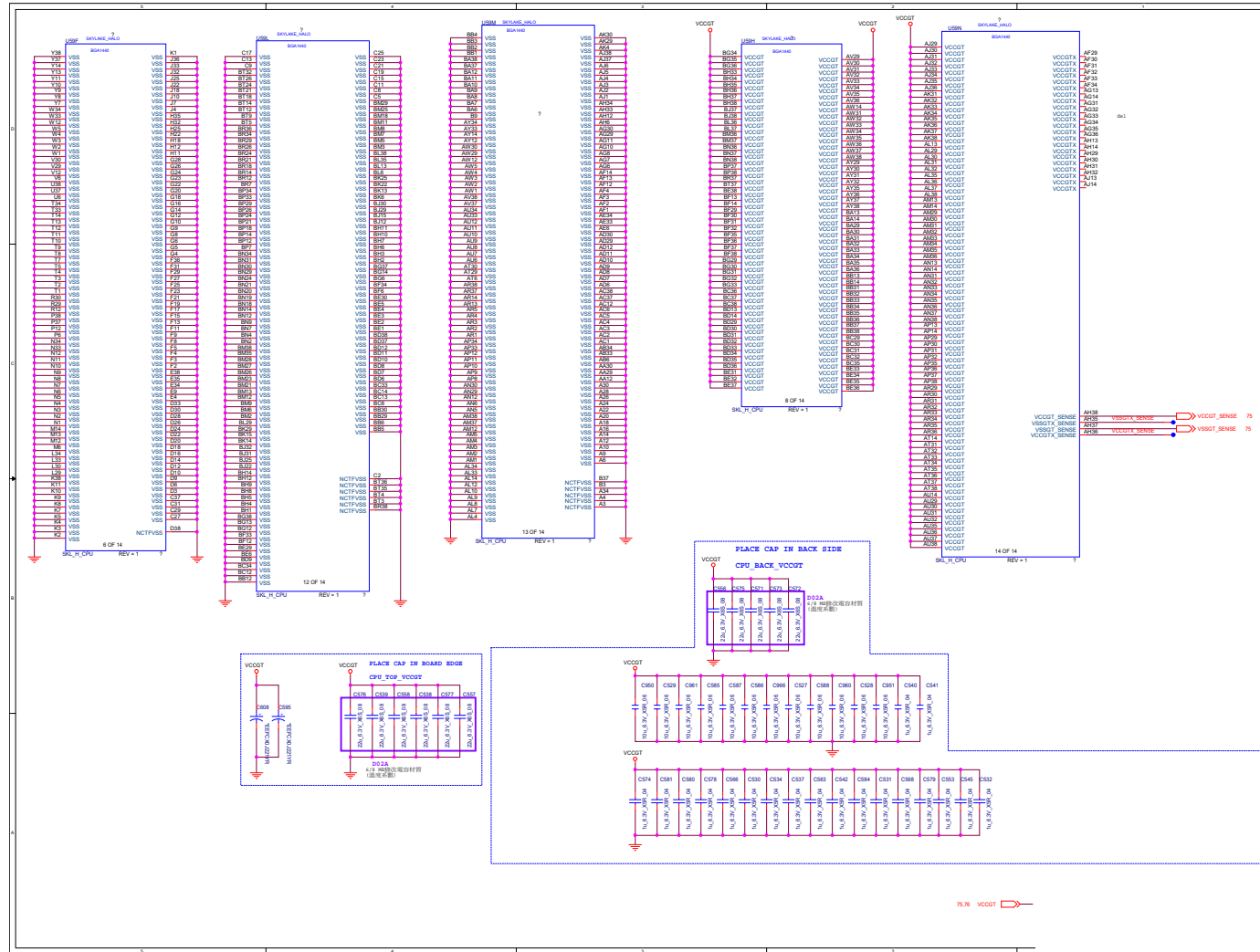
Sheet 6 of 91
Processor 5/7

B.Schematic Diagrams

Processor 6/7



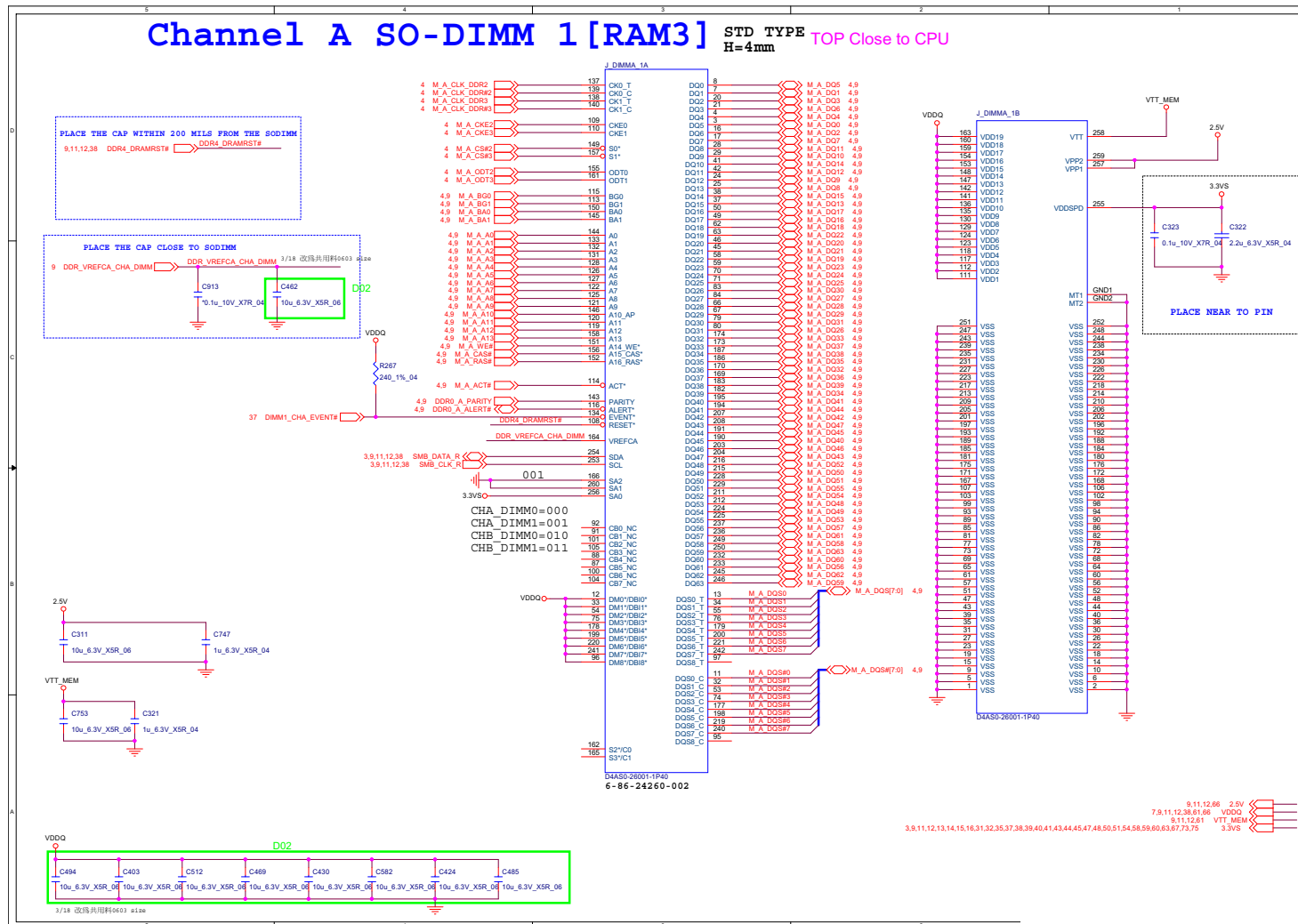
Processor 7/7



B.Schematic Diagrams

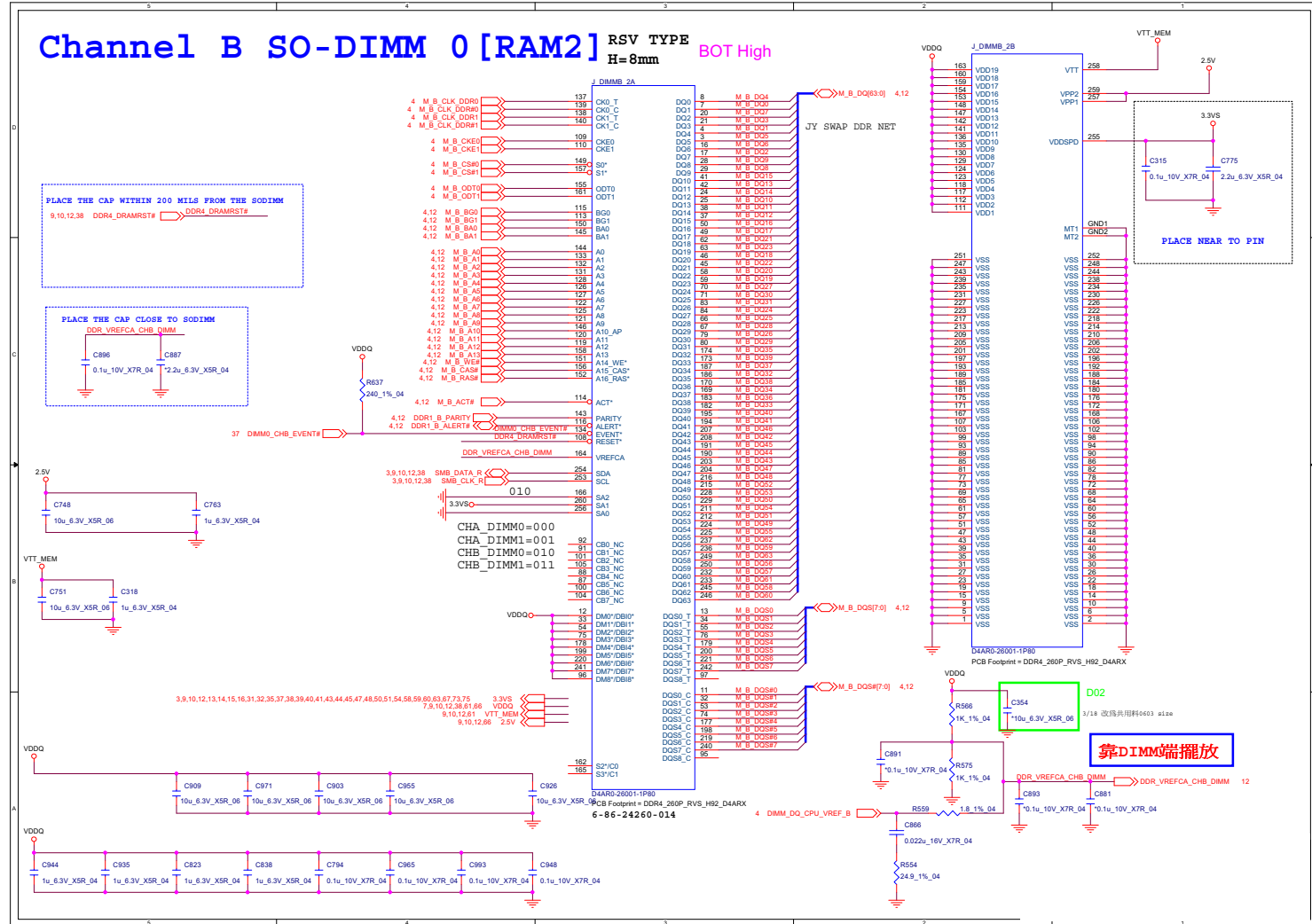
Sheet 8 of 91
Processor 7/7

DDR CHA SO-DIMM_1

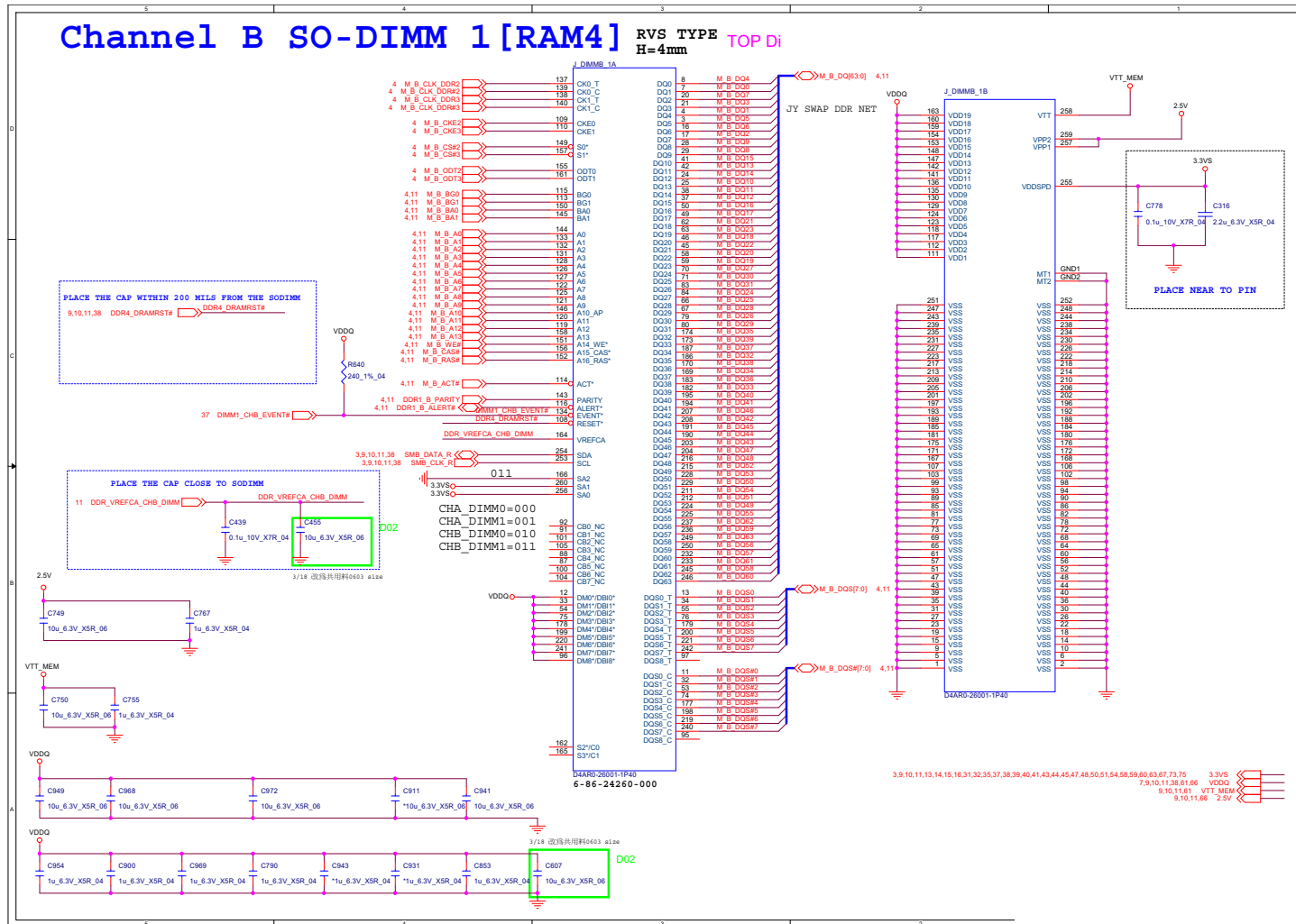


Sheet 10 of 91
DDR CHA SO-DIMM_1

DDR CHB SO-DIMM_0

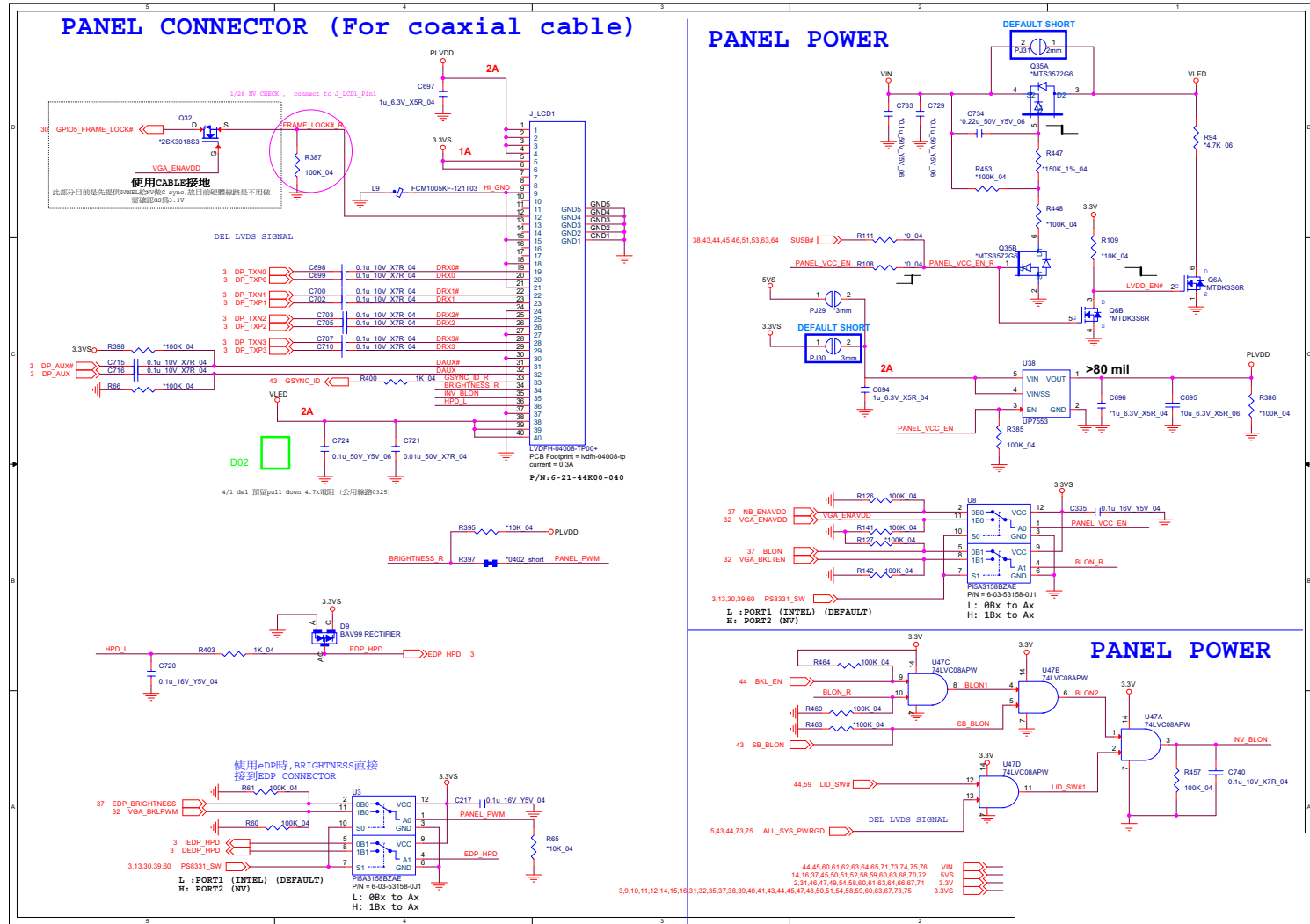


DDR CHB SO-DIMM_1

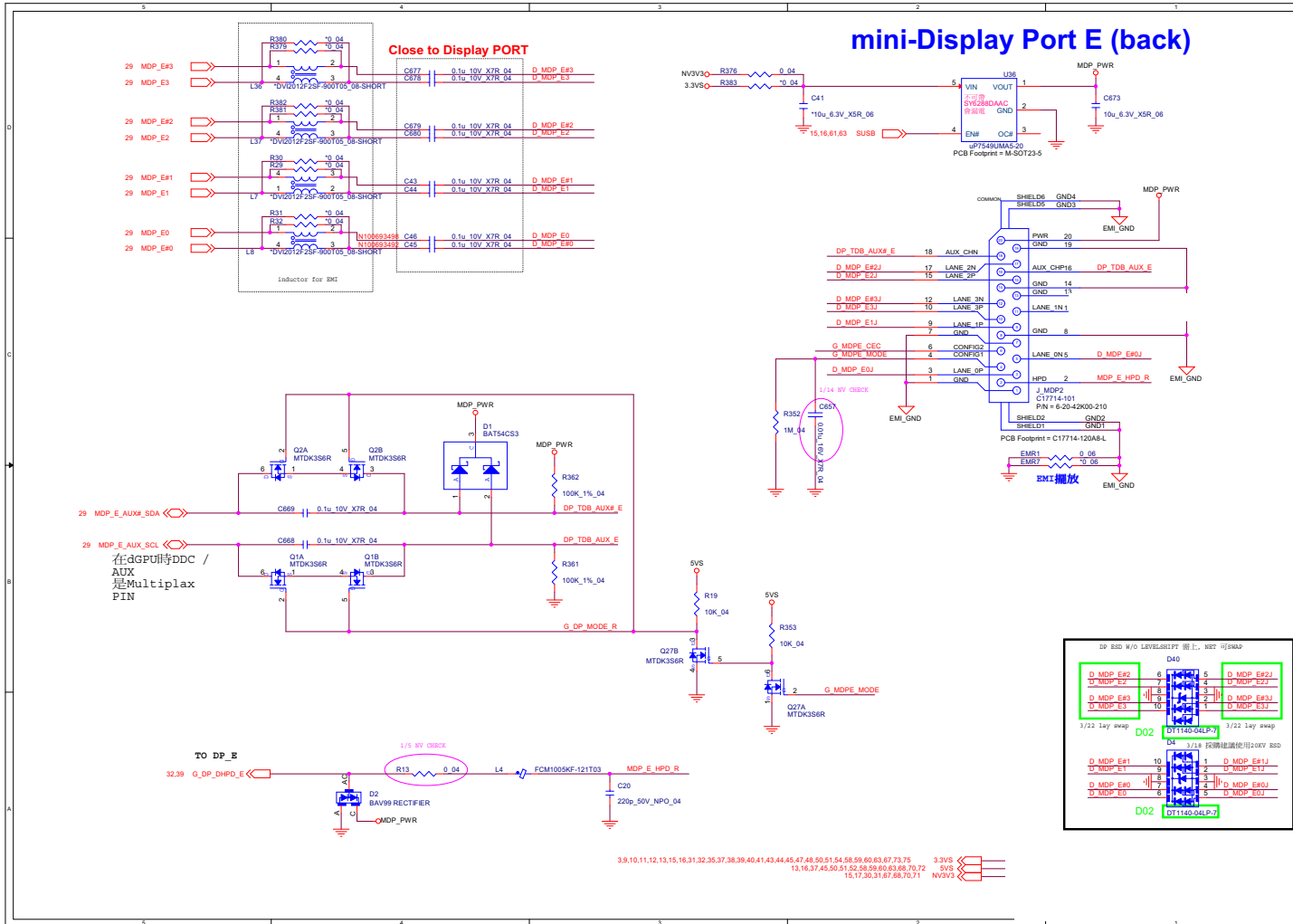


Sheet 12 of 91
DDR CHB SO-DIMM_1

Panel, Inverter

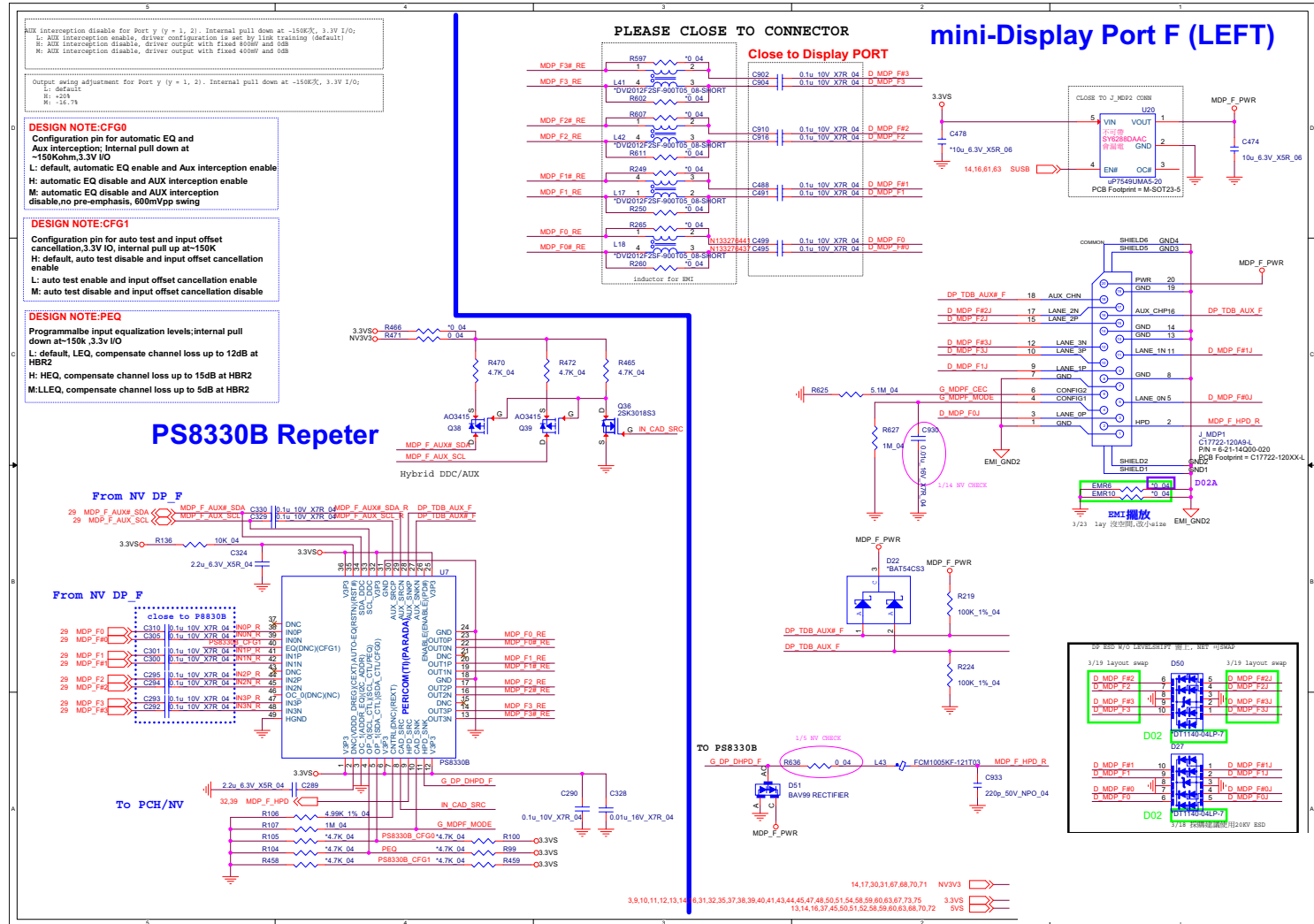


Mini DP Port E

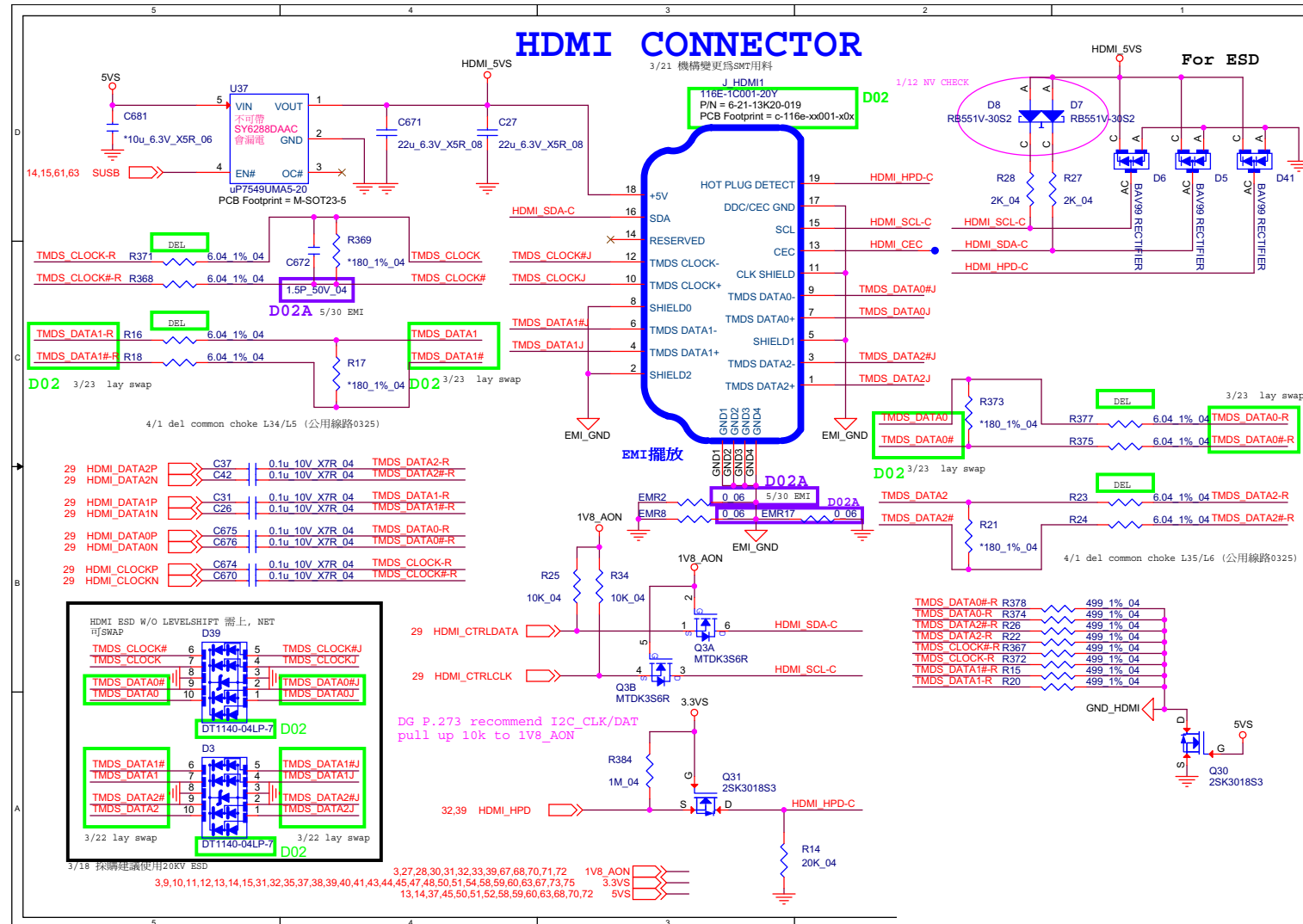


Mini DP Port F + PS8330B

Sheet 15 of 91
Mini DP Port F +
PS8330B



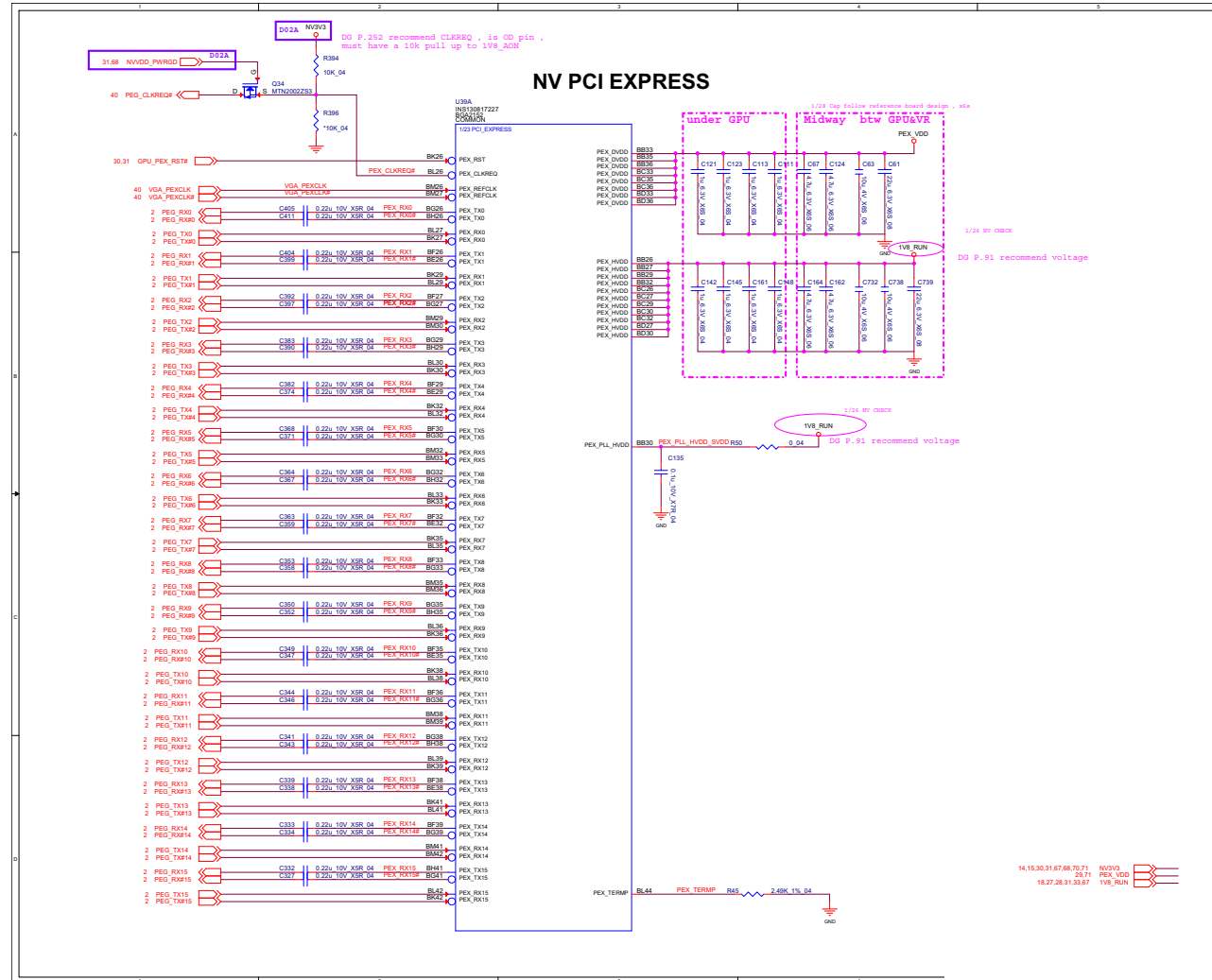
HDMI



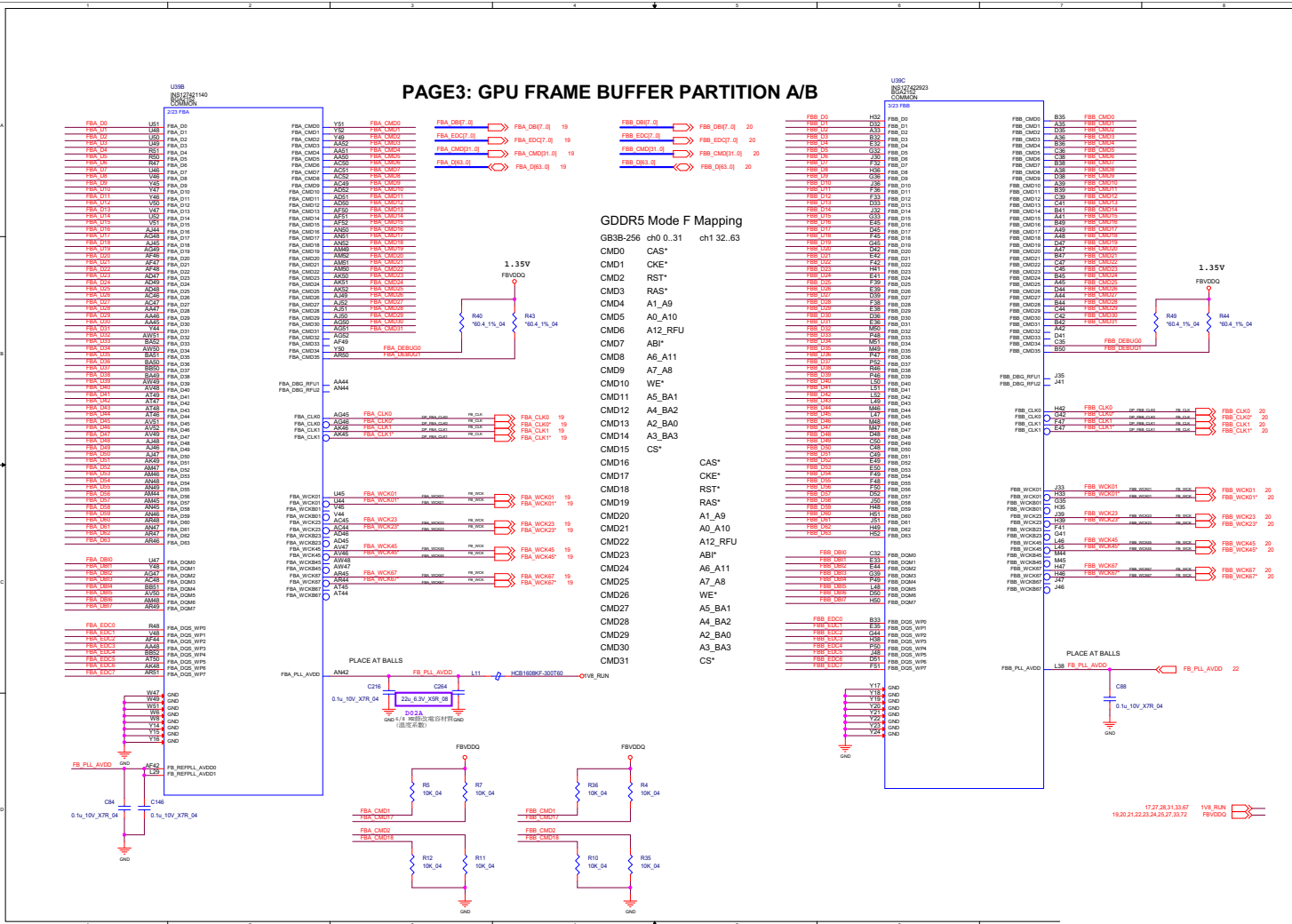
Sheet 16 of 91
HDMI

B.Schematic Diagrams

VGA PCI Express



VGA Frame Buffer Partition

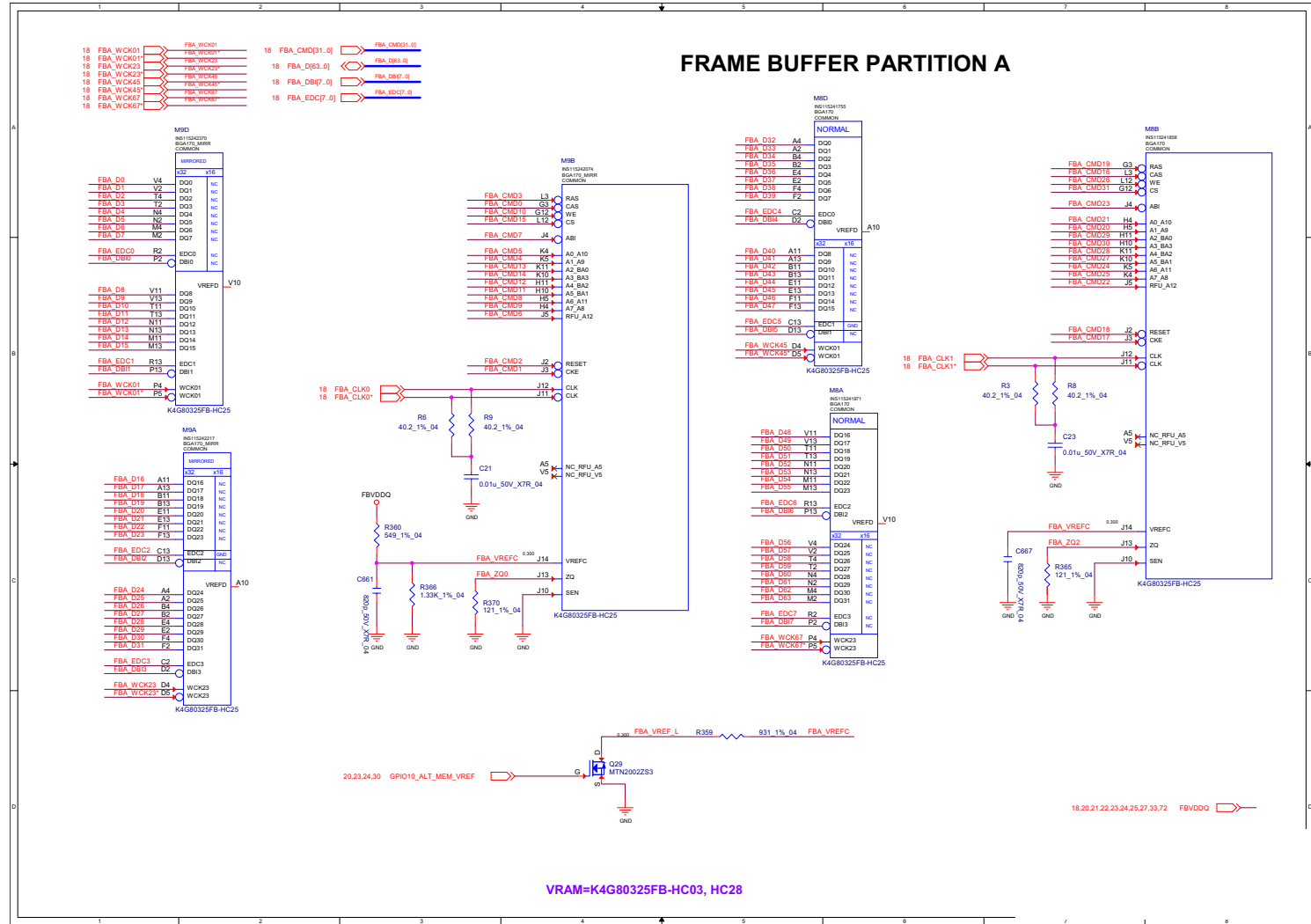


Sheet 18 of 91
VGA Frame Buffer
Partition

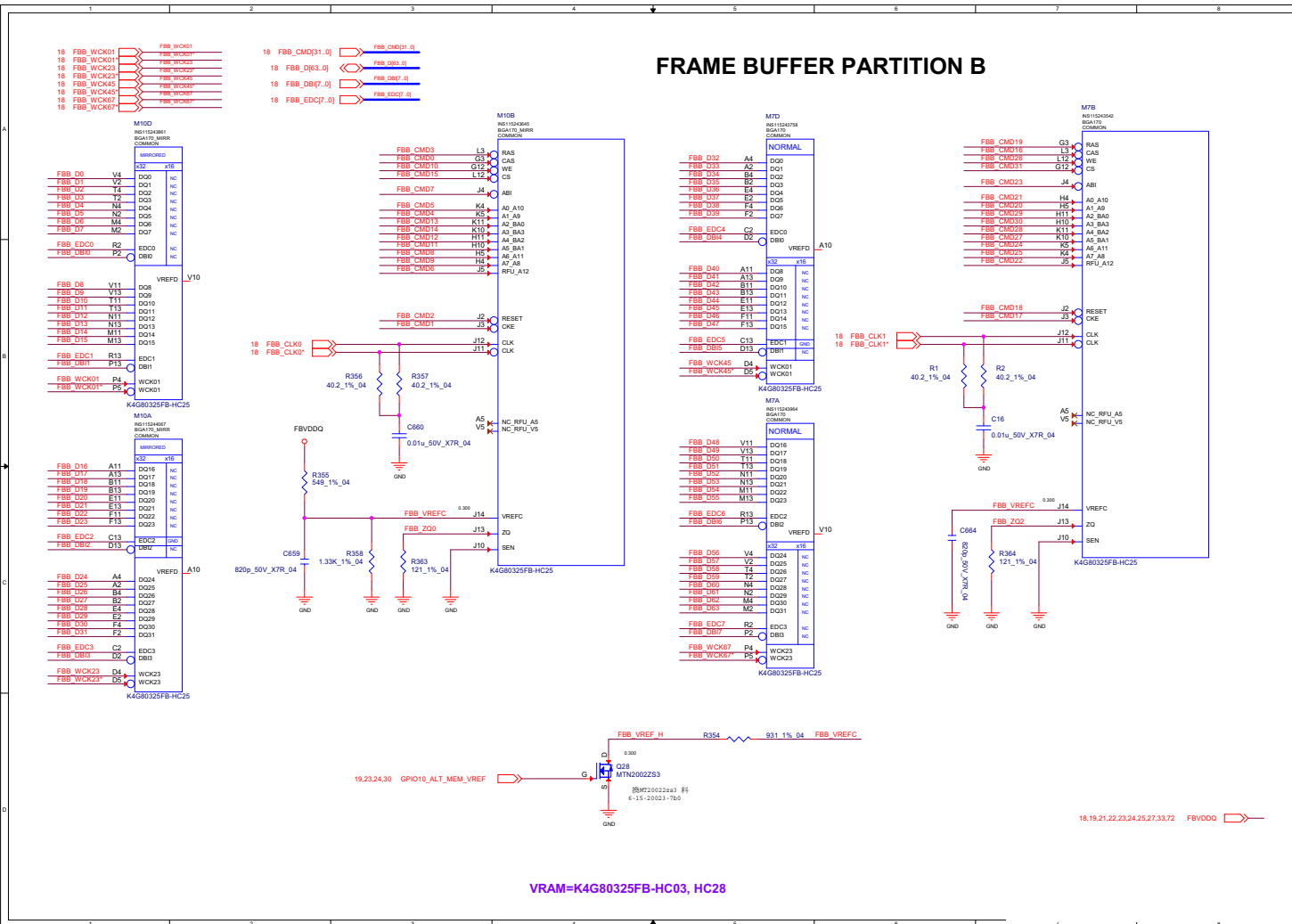
B.Schematic Diagrams

Frame Buffer Partition A

Sheet 19 of 91
Frame Buffer
Partition A



Frame Buffer Partition B

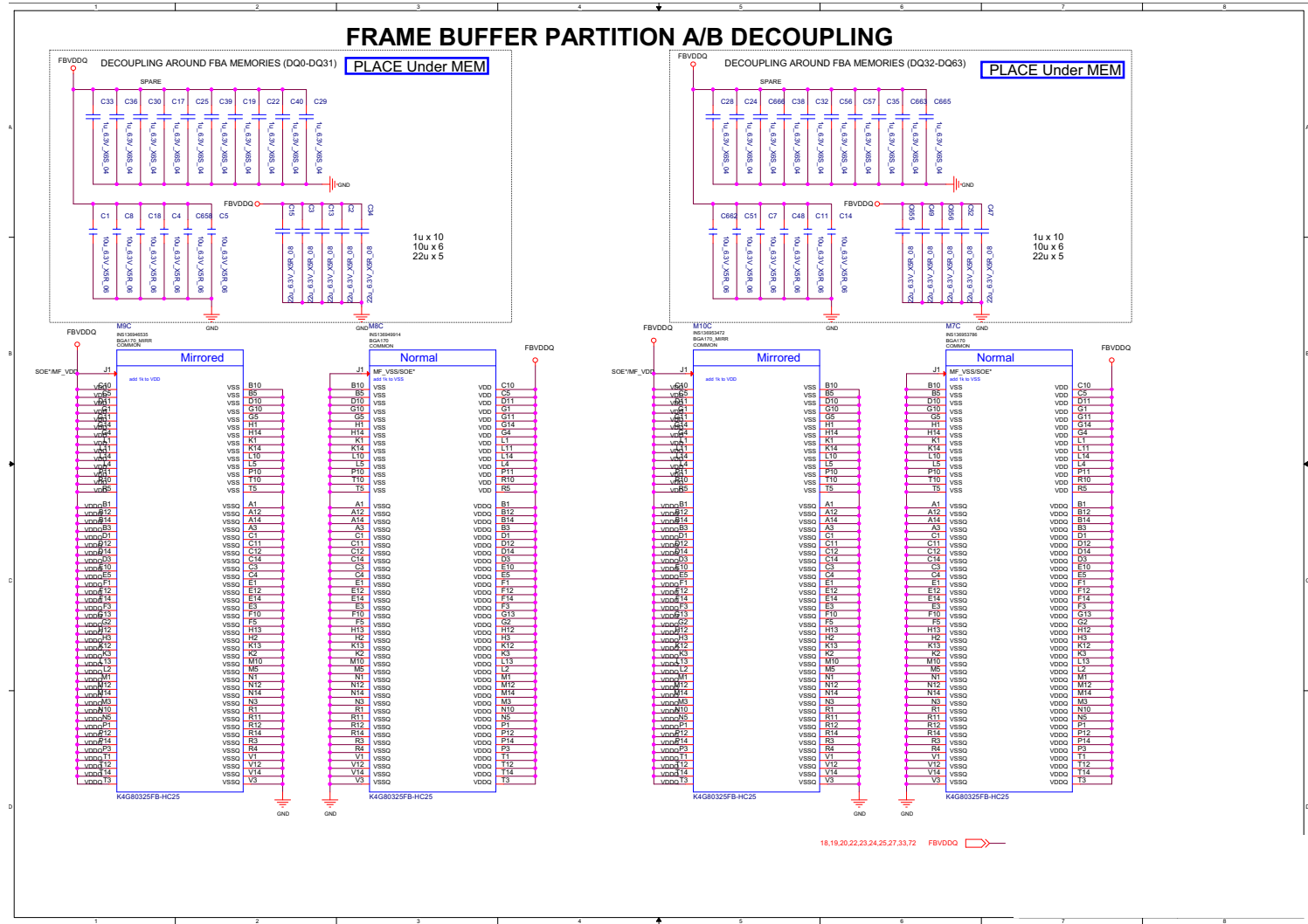


B.Schematic Diagrams

Sheet 20 of 91
Frame Buffer
Partition B

Frame Buffer Partition A_B

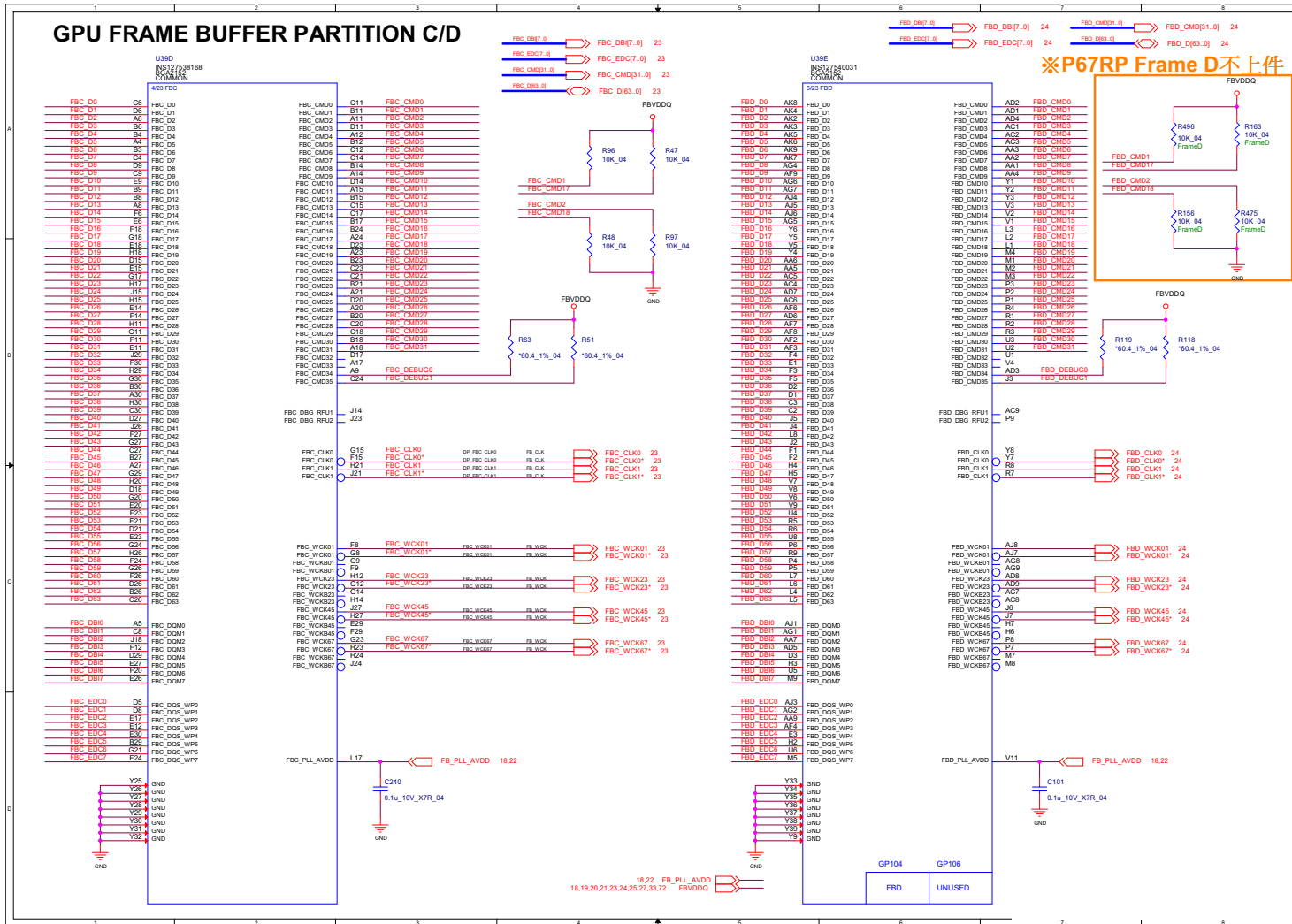
Sheet 21 of 91
Frame Buffer
Partition A_B



GPU Frame Buffer Partition

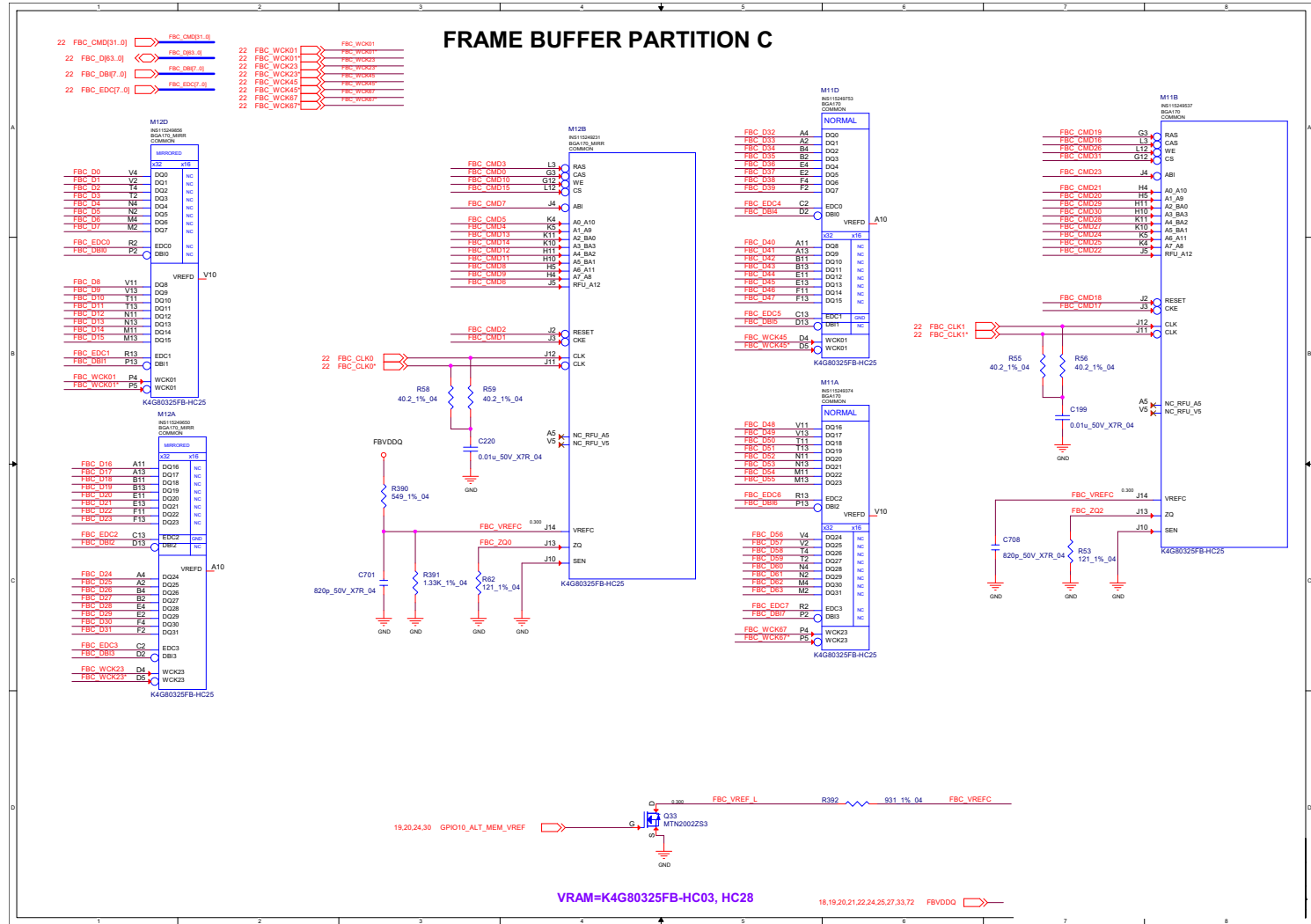
B.Schematic Diagrams

Sheet 22 of 91
GPU Frame Buffer Partition

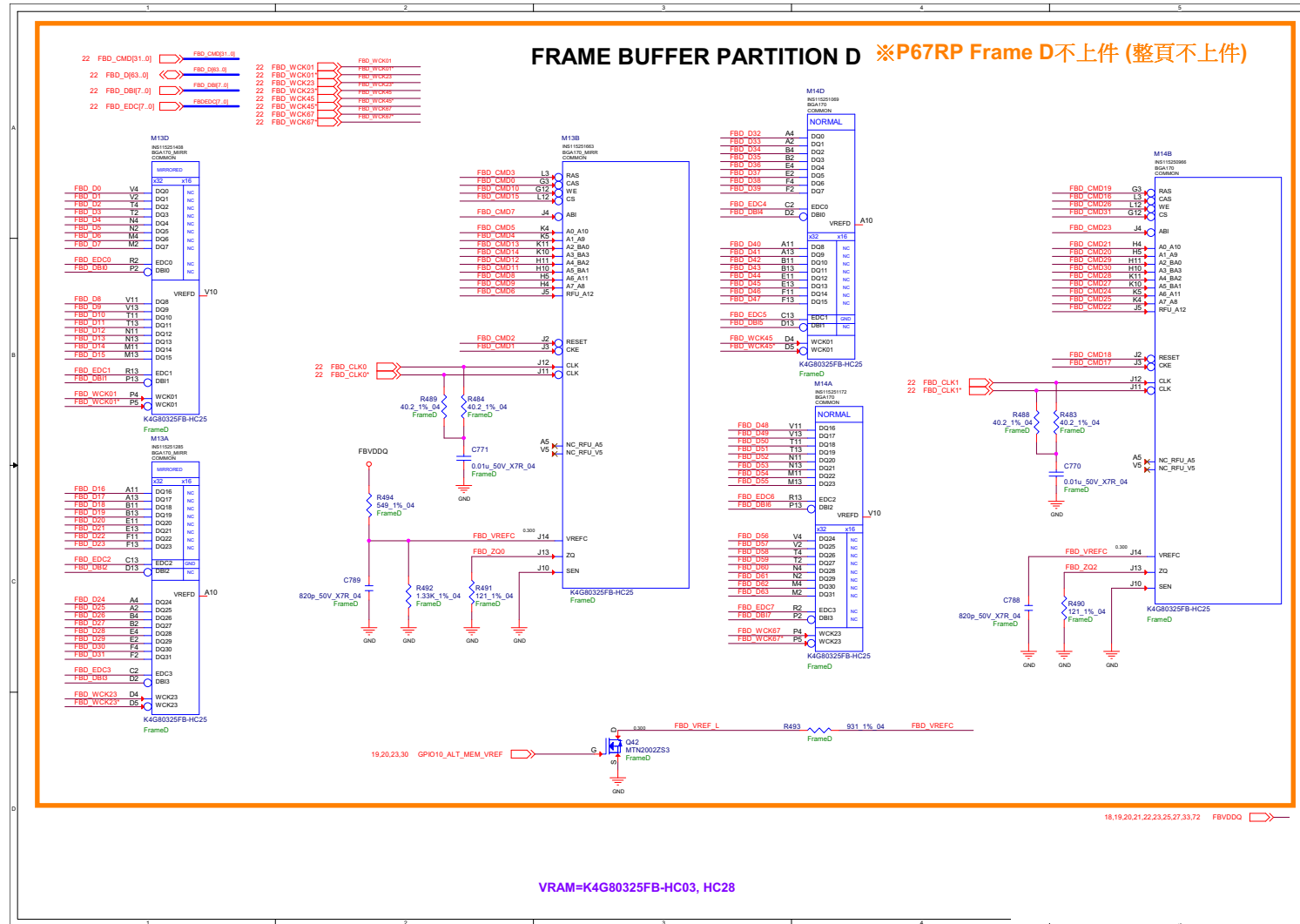


Frame Buffer Partition C

Sheet 23 of 91
Frame Buffer
Partition C



Frame Buffer Partition D

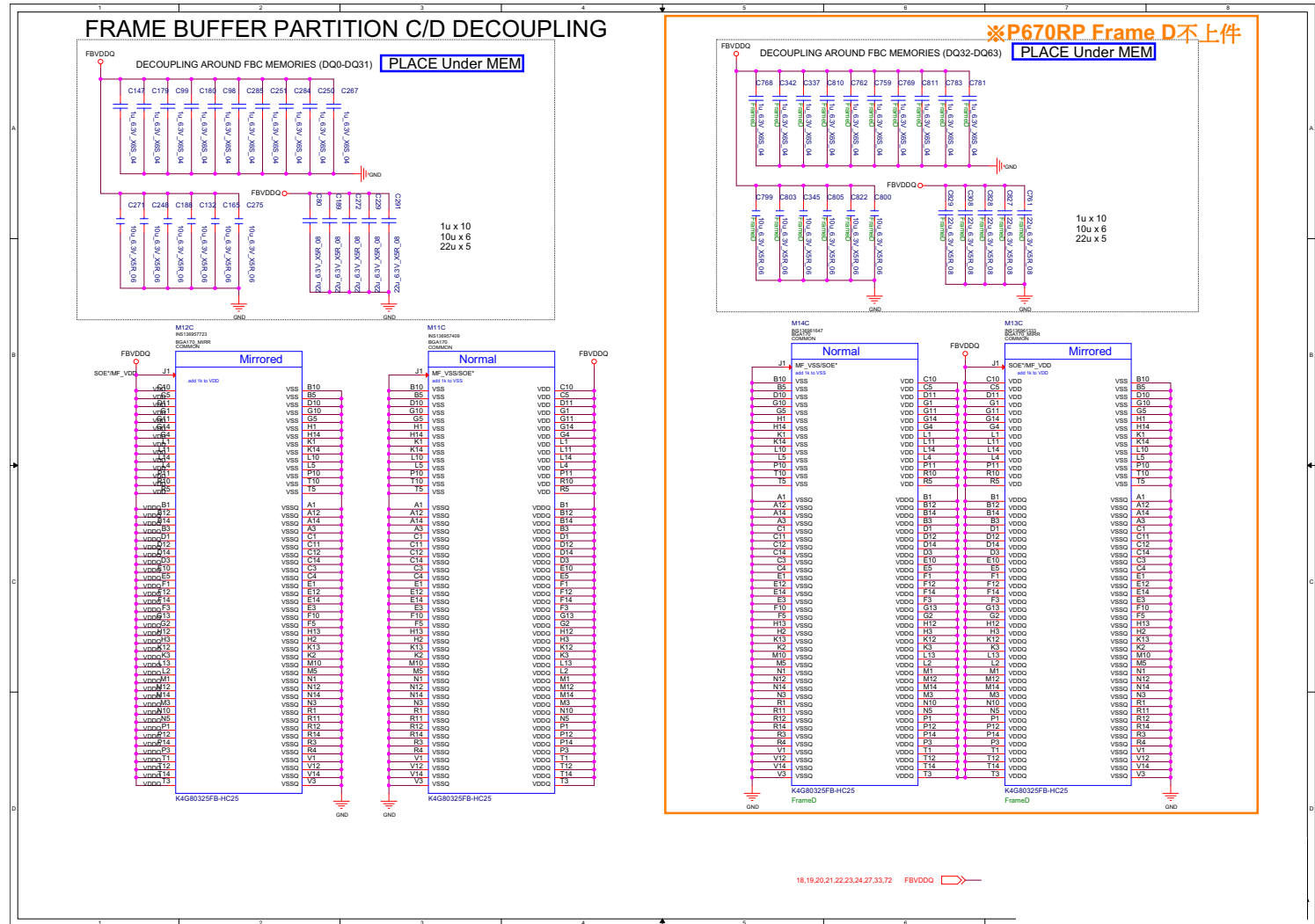


Sheet 24 of 91
Frame Buffer
Partition D

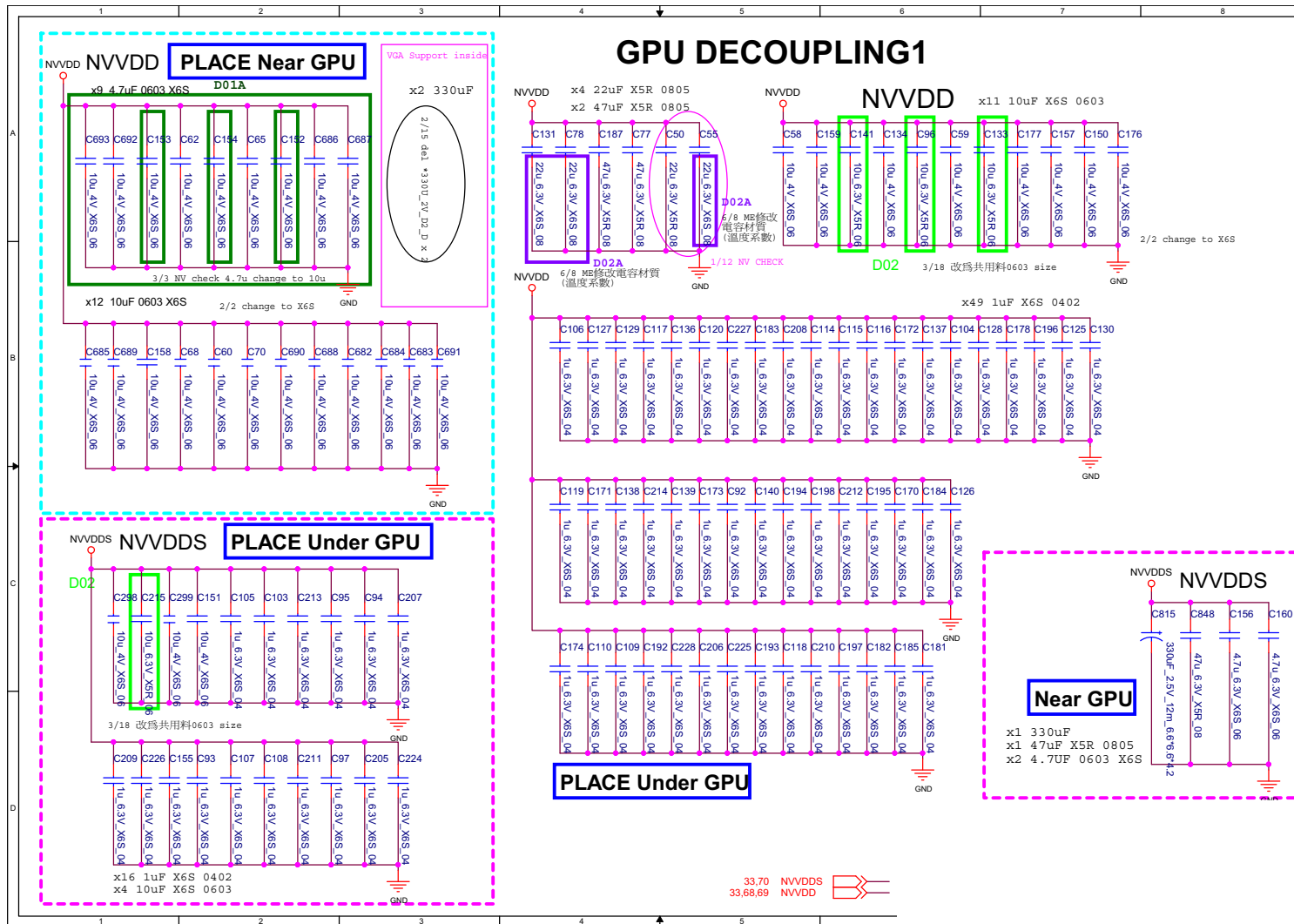
B.Schematic Diagrams

Frame Buffer Partition C_D

Sheet 25 of 91
Frame Buffer
Partition C_D



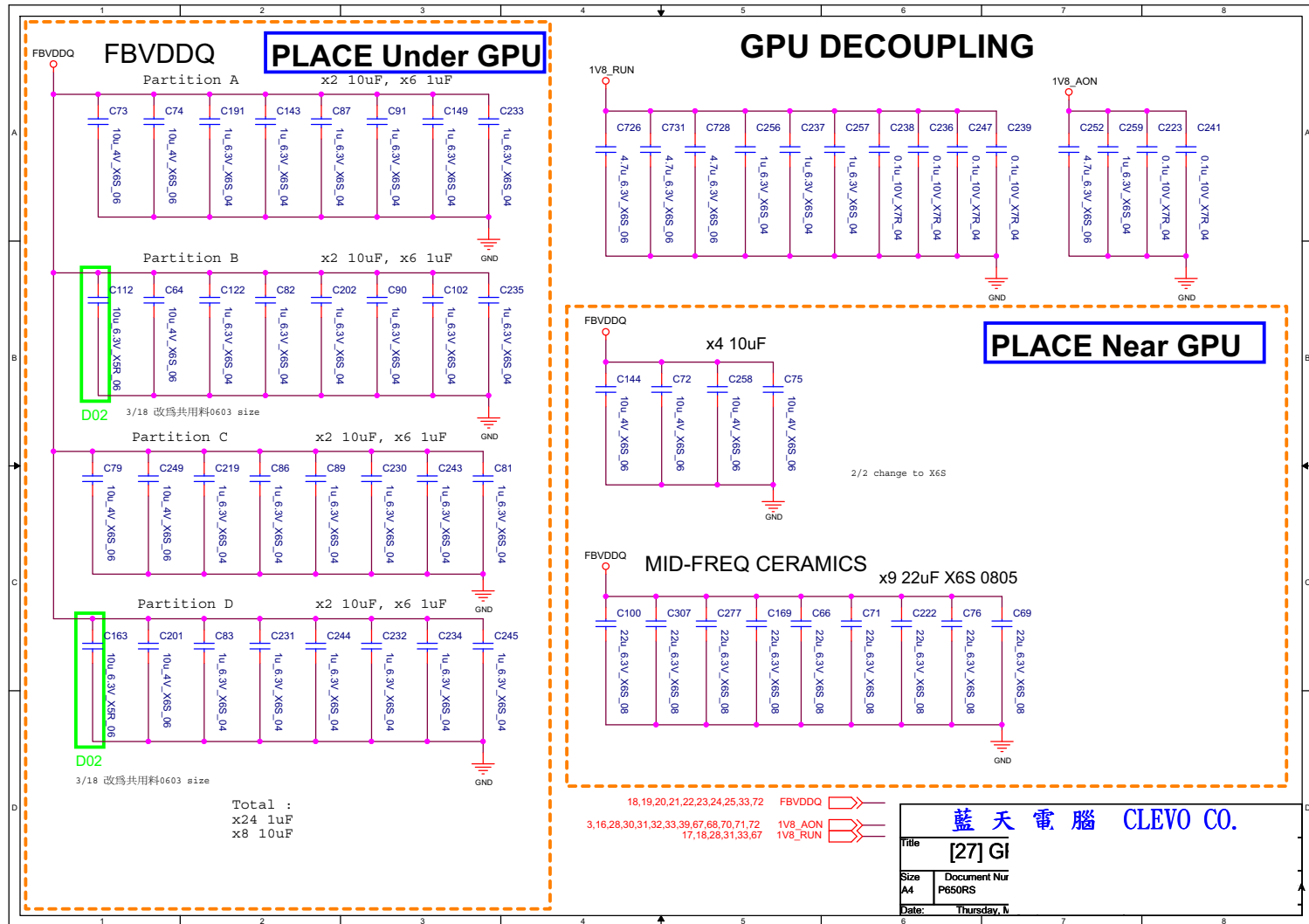
GPU Decoupling 1



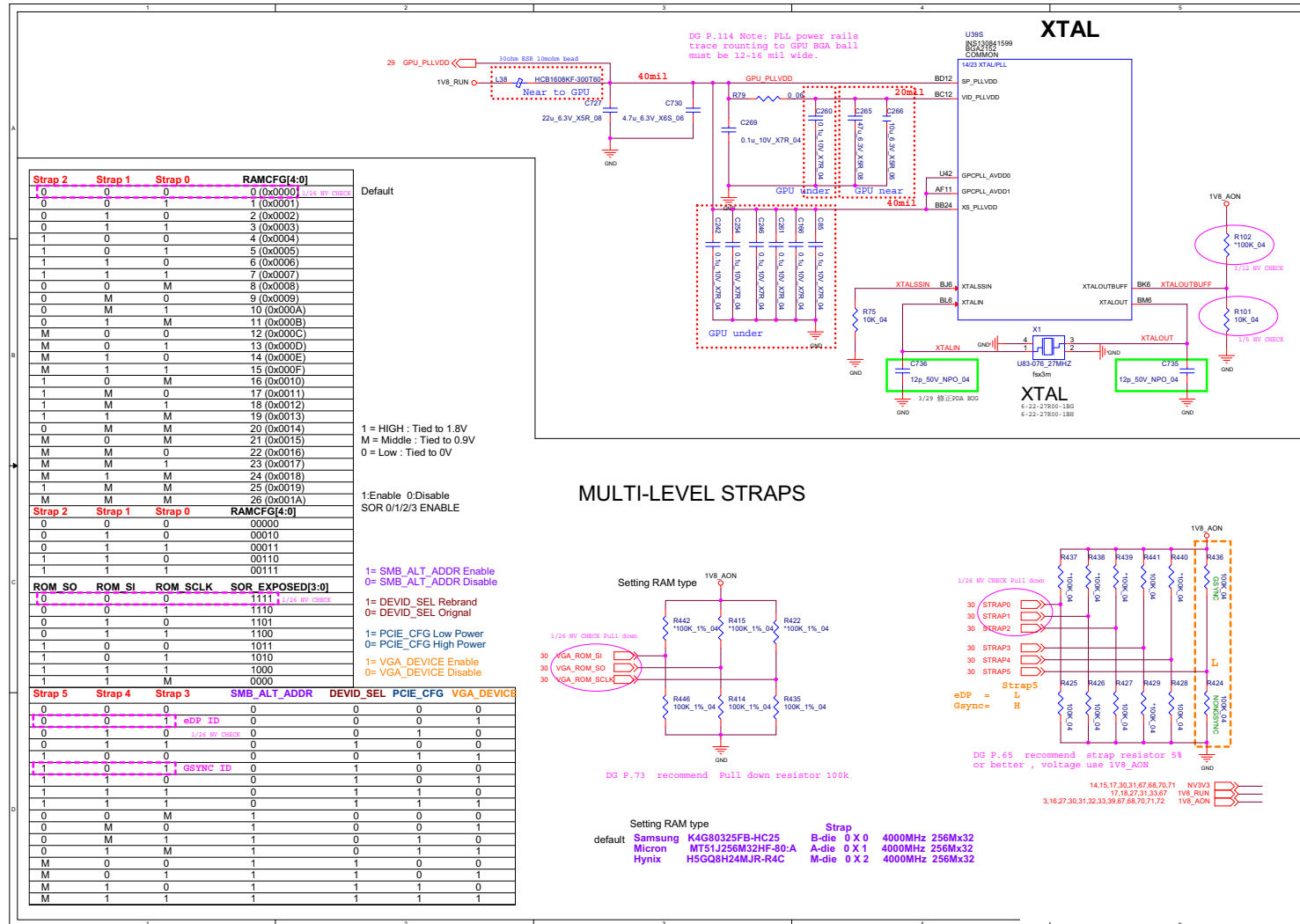
Sheet 26 of 91
GPU Decoupling 1

GPU Decoupling 2

Sheet 27 of 91
GPU Decoupling 2



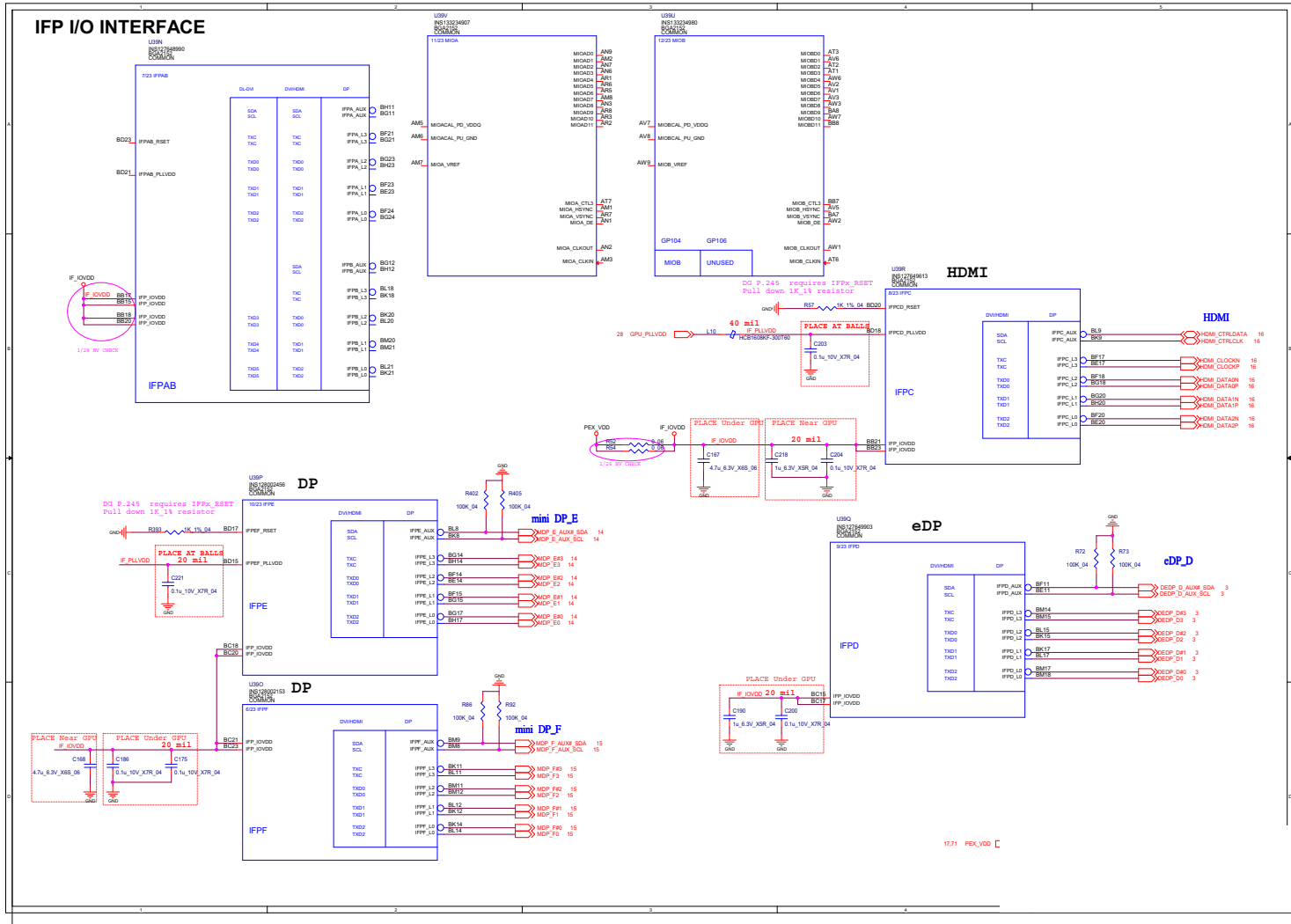
Straps & XTAL



Sheet 28 of 91
 Straps and XTAL

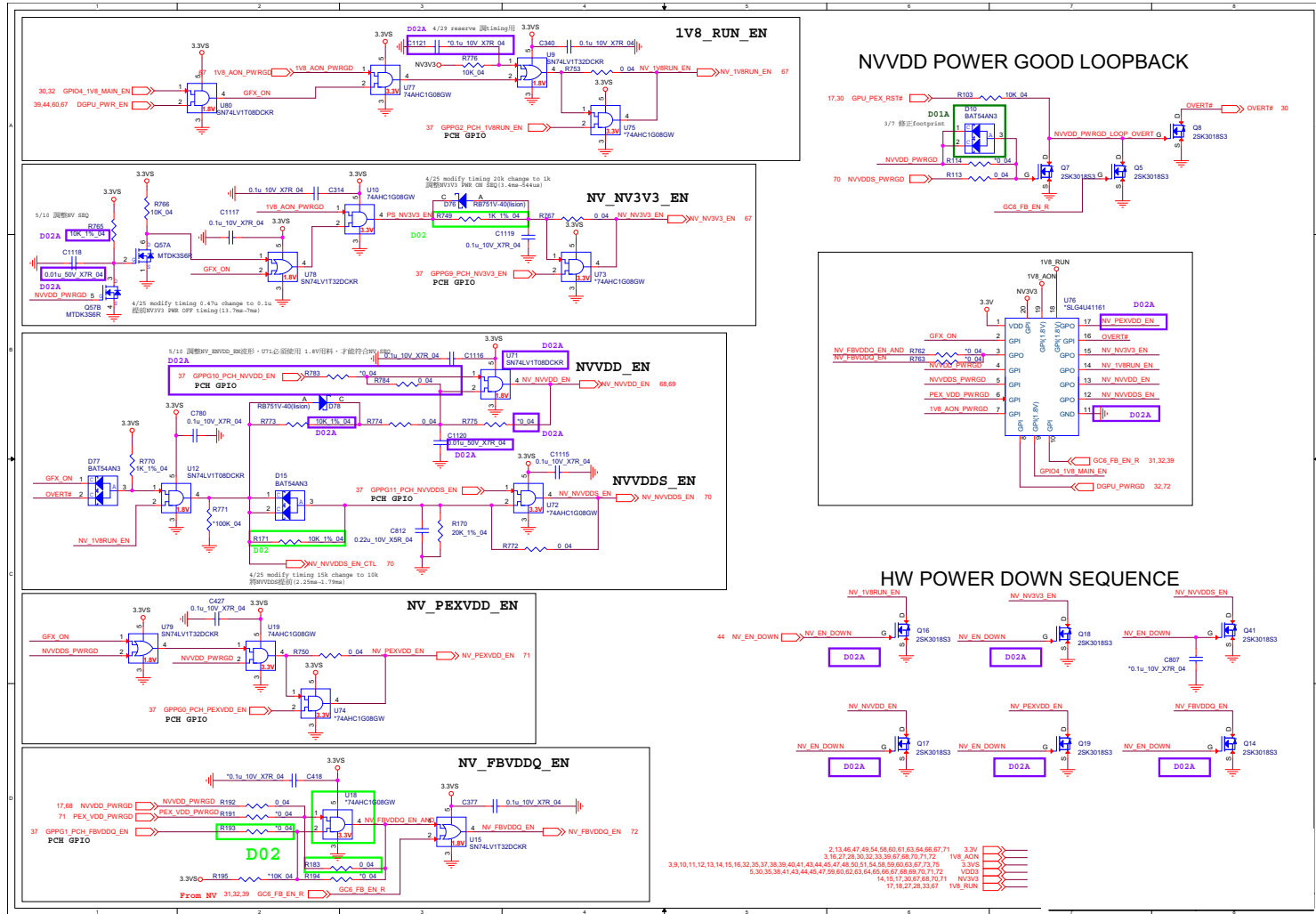
IFP I/O Interface

Sheet 29 of 91
IFP I/O Interface

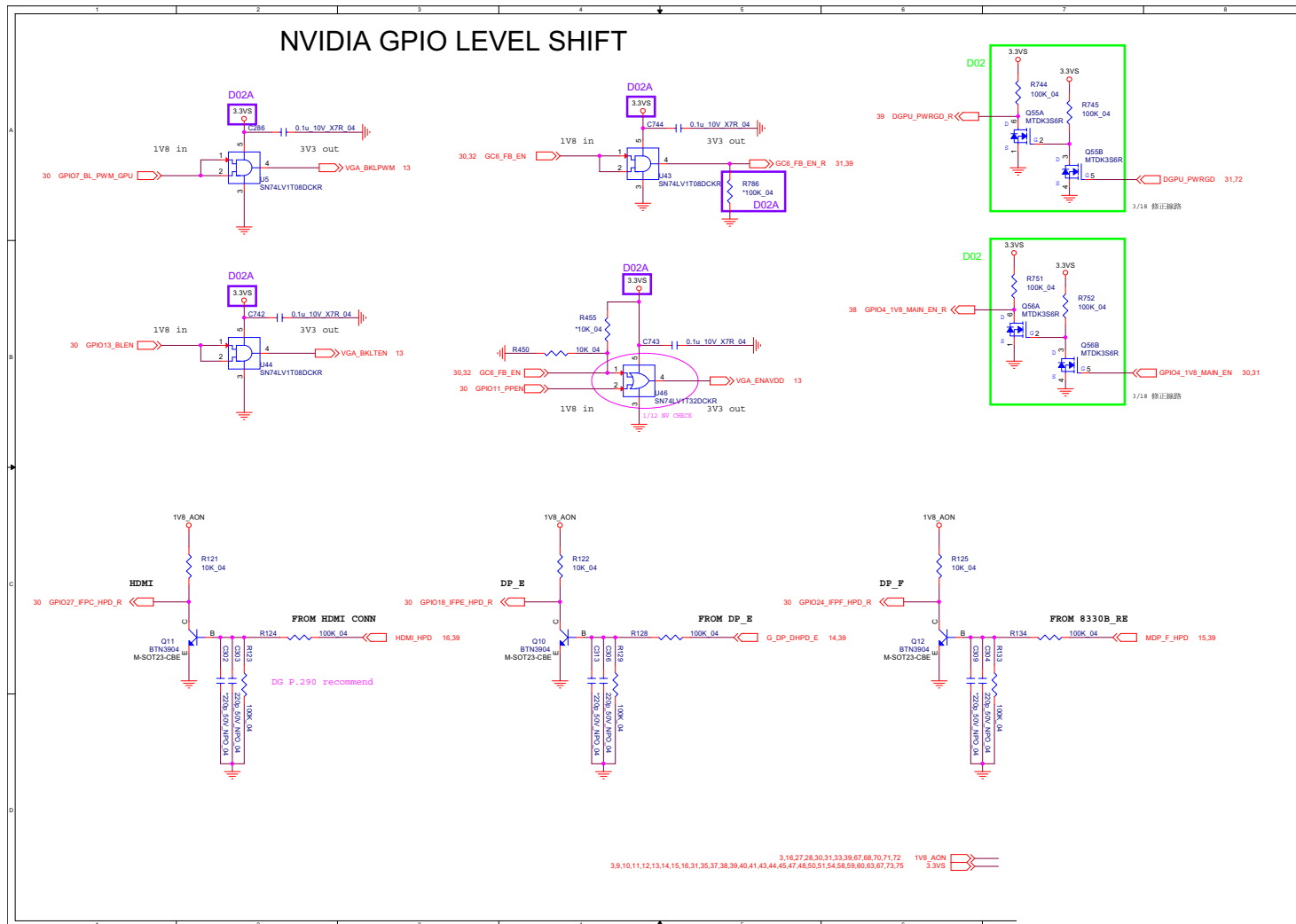


NVIDIA Power Sequence

Sheet 31 of 91
NVIDIA Power
Sequence



GPIO Level Shift



Sheet 32 of 91
GPIO Level Shift

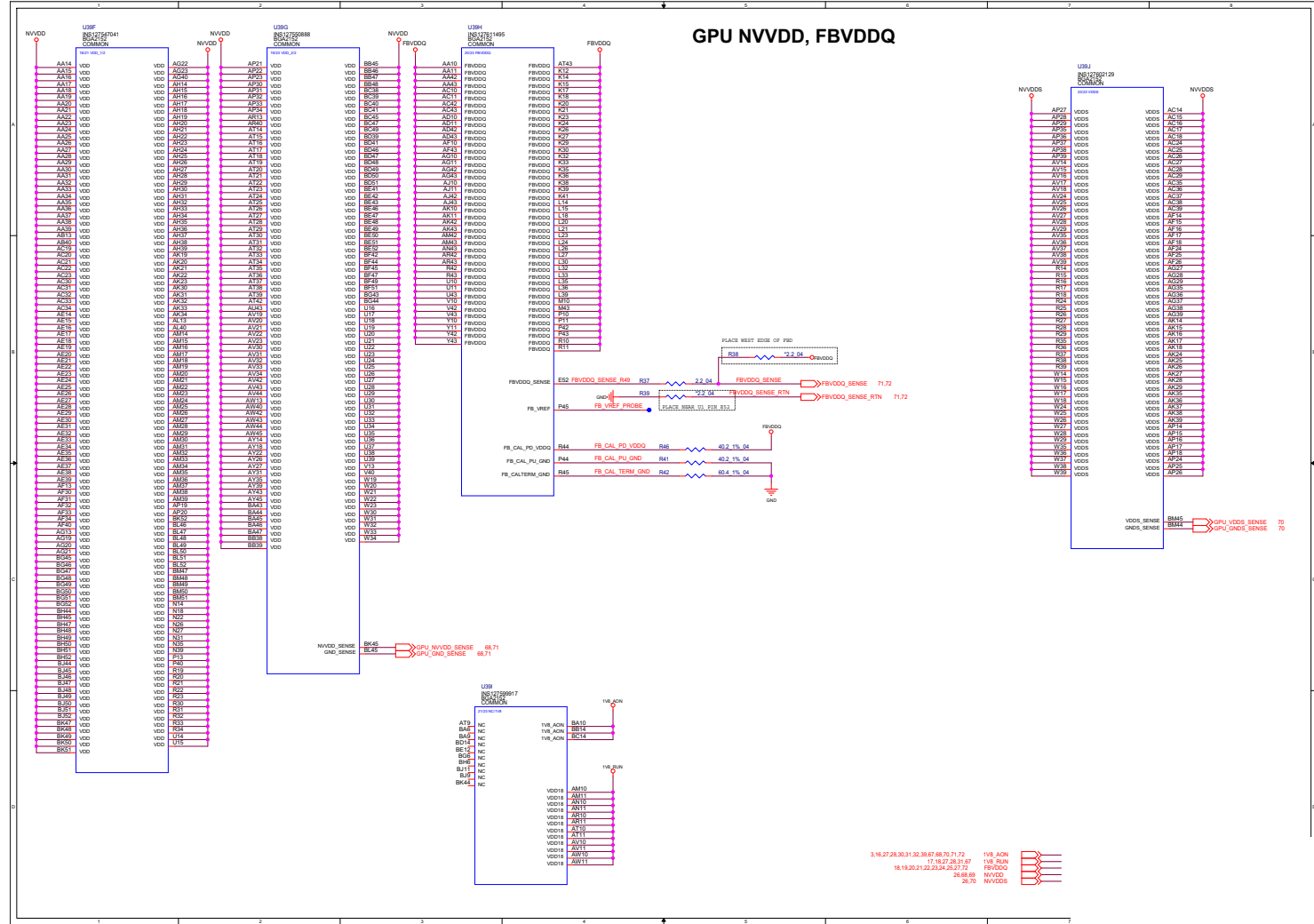
B.Schematic Diagrams

Schematic Diagrams

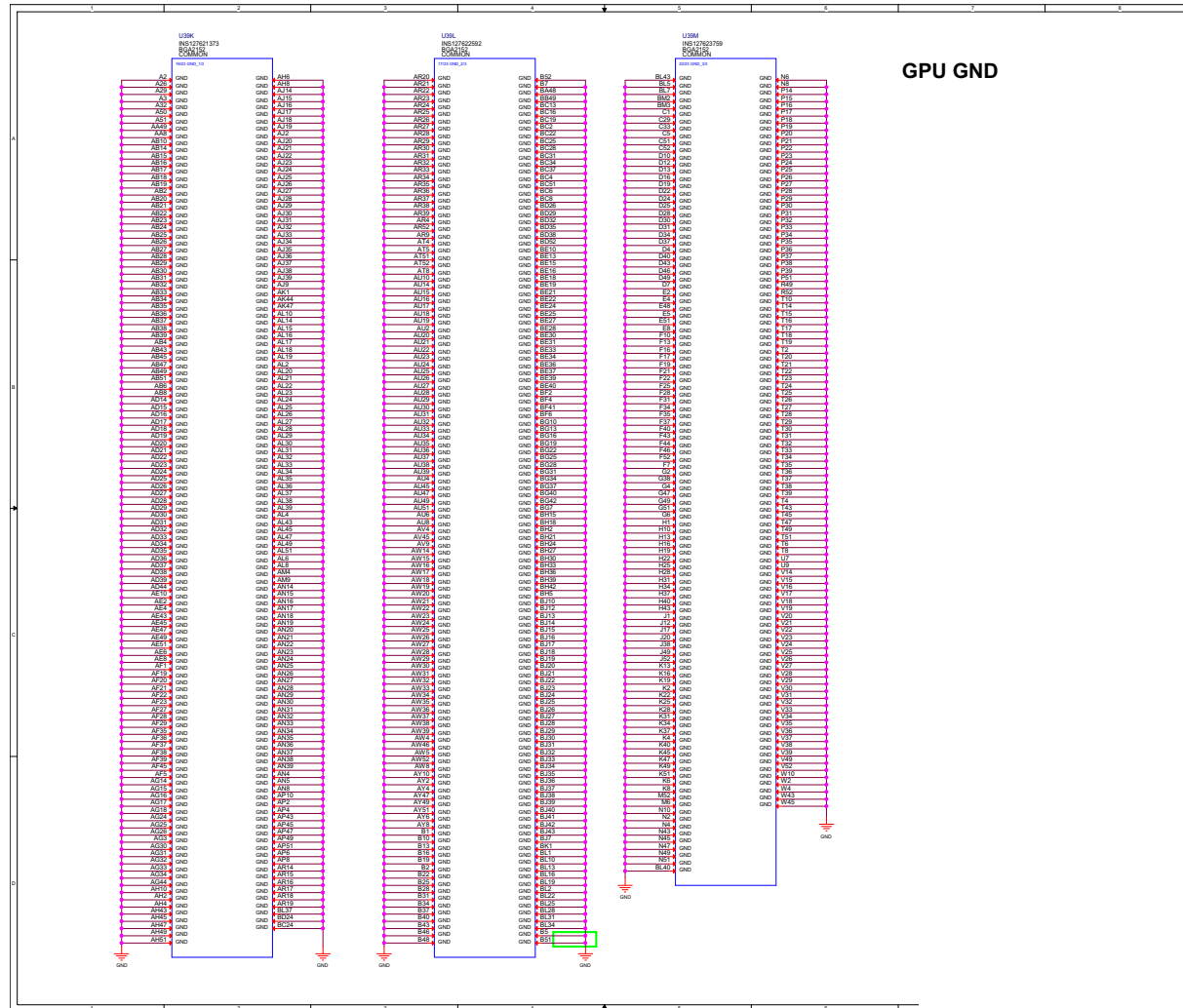
GPU NVVDD, FBVDDQ

B. Schematic Diagrams

Sheet 33 of 91
GPU NVVDD,
FBVDDQ



GPU GND



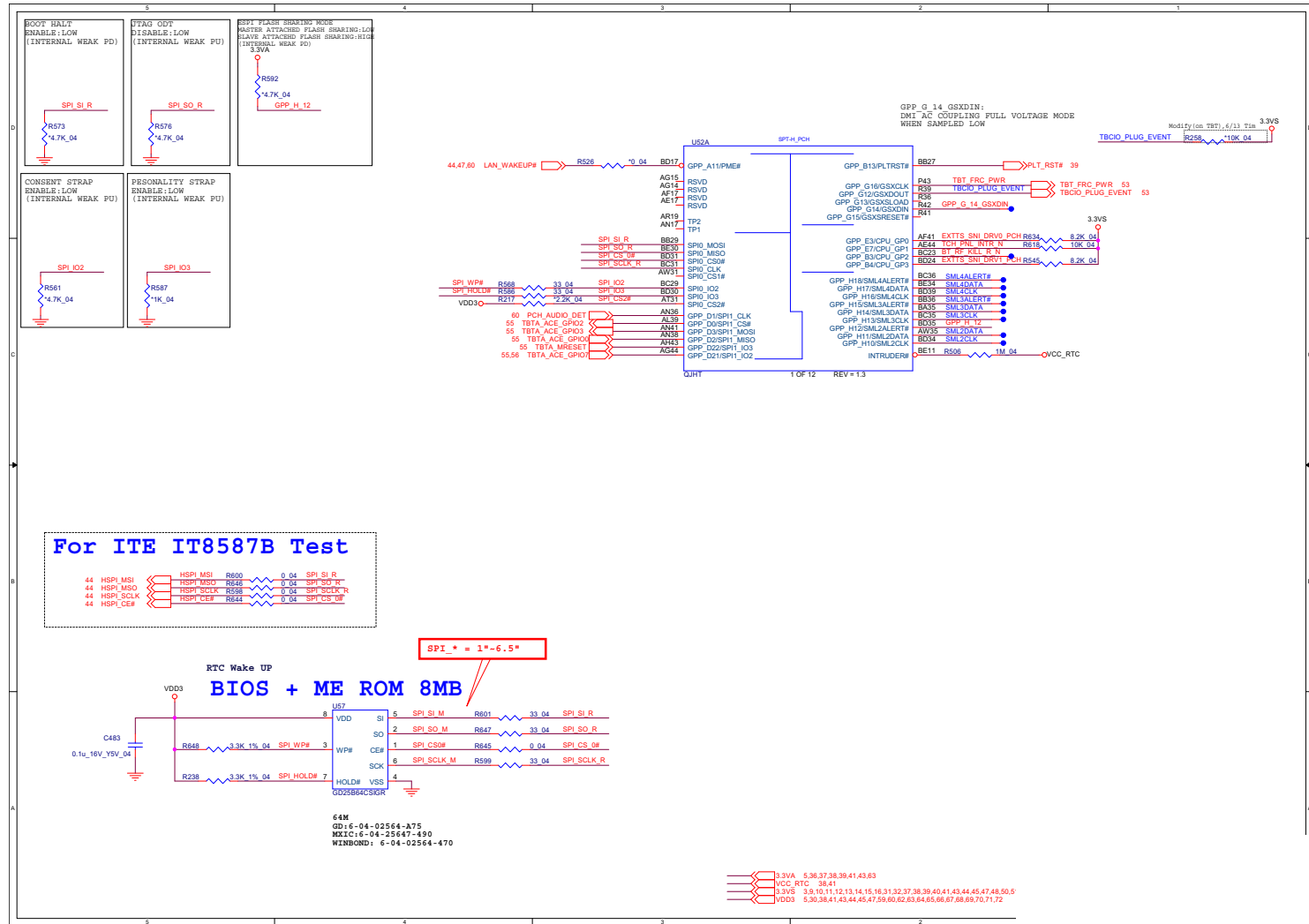
GPU GND

Sheet 34 of 91
GPU GND

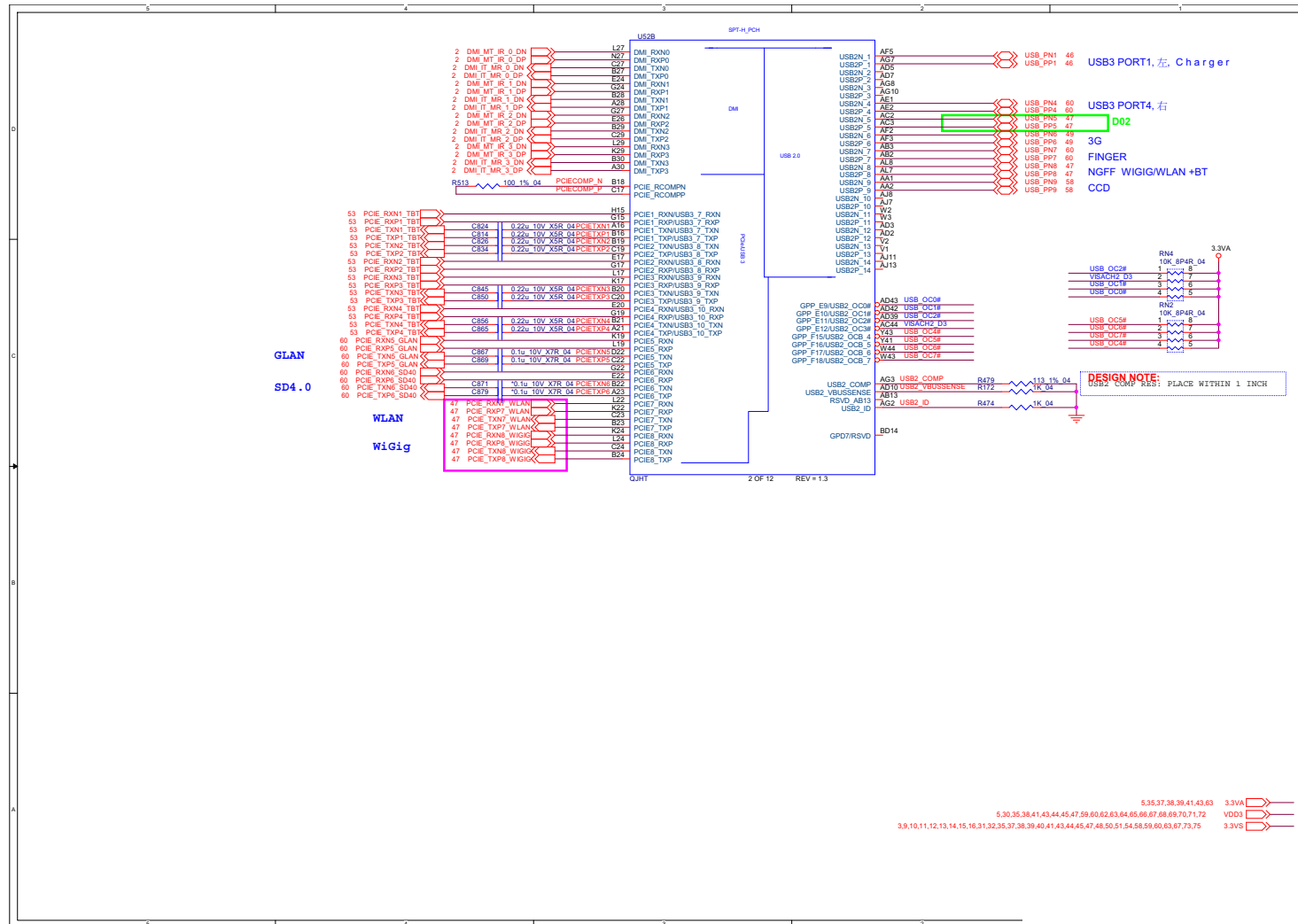
B.Schematic Diagrams

PCH 1/9

Sheet 35 of 91
PCH 1/9



PCH 2/9



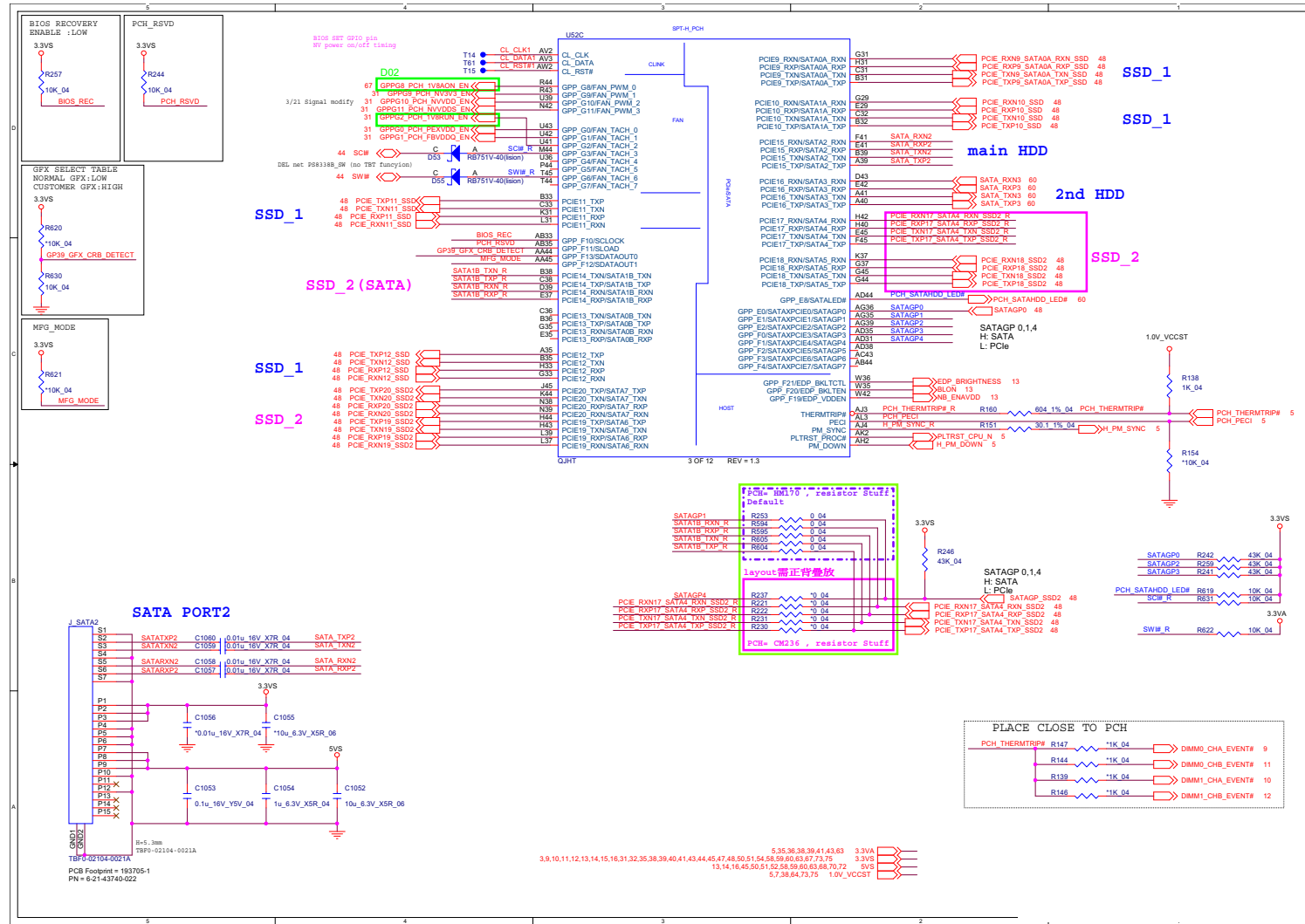
Sheet 36 of 91
PCH 2/9

B.Schematic Diagrams

5.30,35,38,41,43,44,45,47,59,80,82,83,84,85,86,87,88,89,70,71,72 VDD0
3.3V
5.35,37,38,39,41,43,63 3.3VA
3.8,10,11,12,13,14,15,16,31,32,35,37,38,39,40,41,43,44,45,47,48,50,51,54,58,59,60,63,67,73,75 3.3VS

PCH 3/9

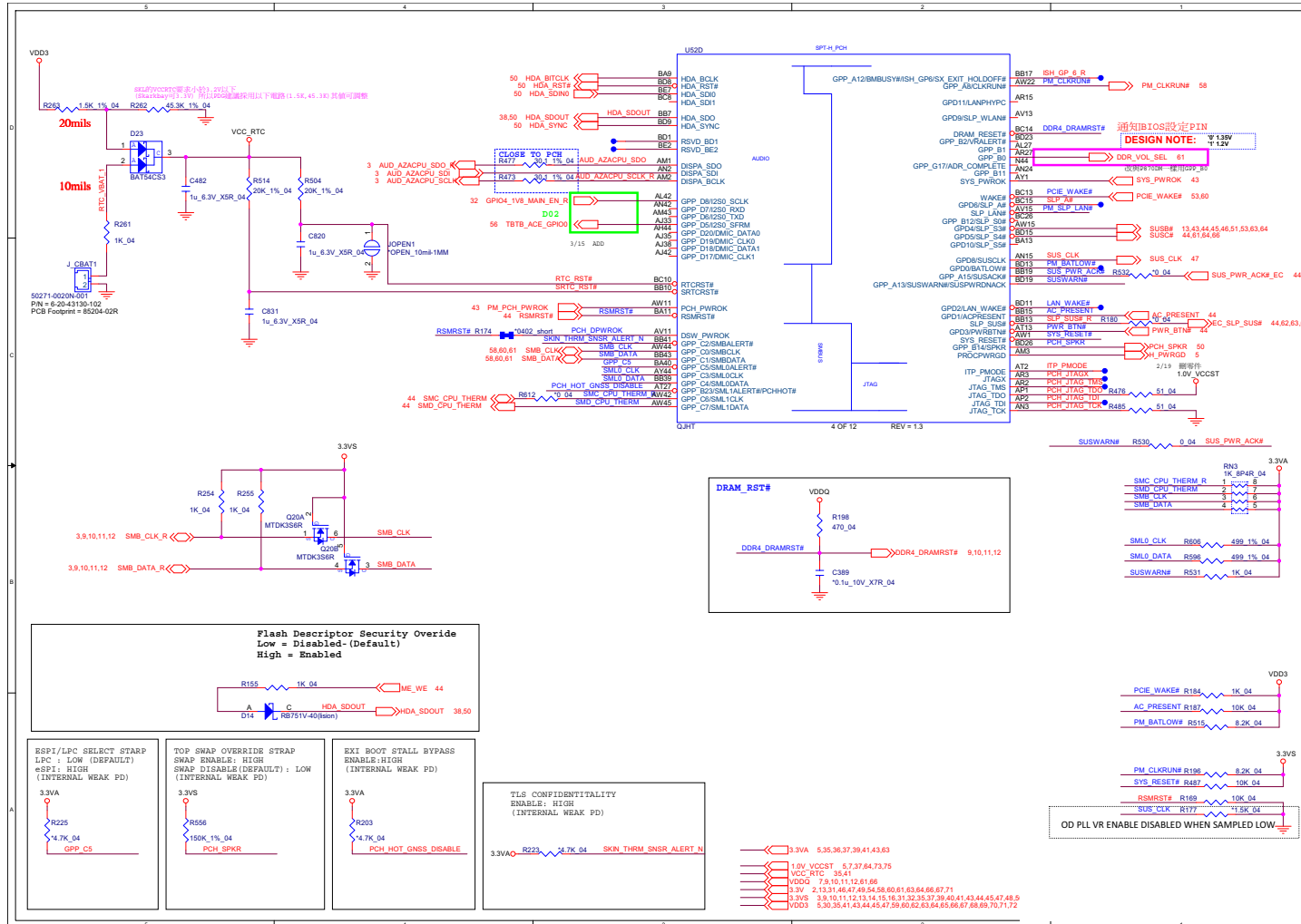
Sheet 37 of 91
PCH 3/9



PCH 4/9

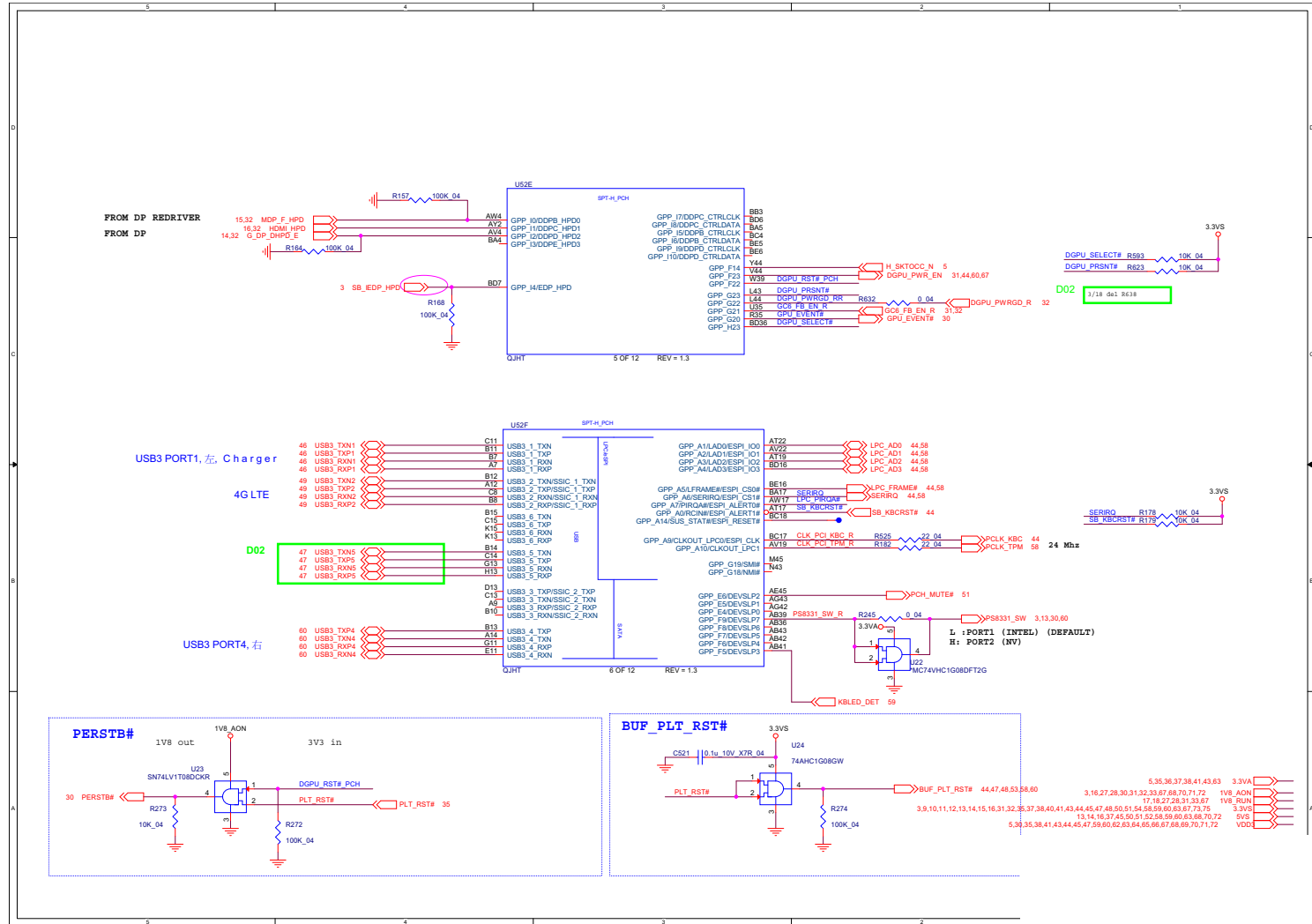
B.Schematic Diagrams

Sheet 38 of 91
PCH 4/9

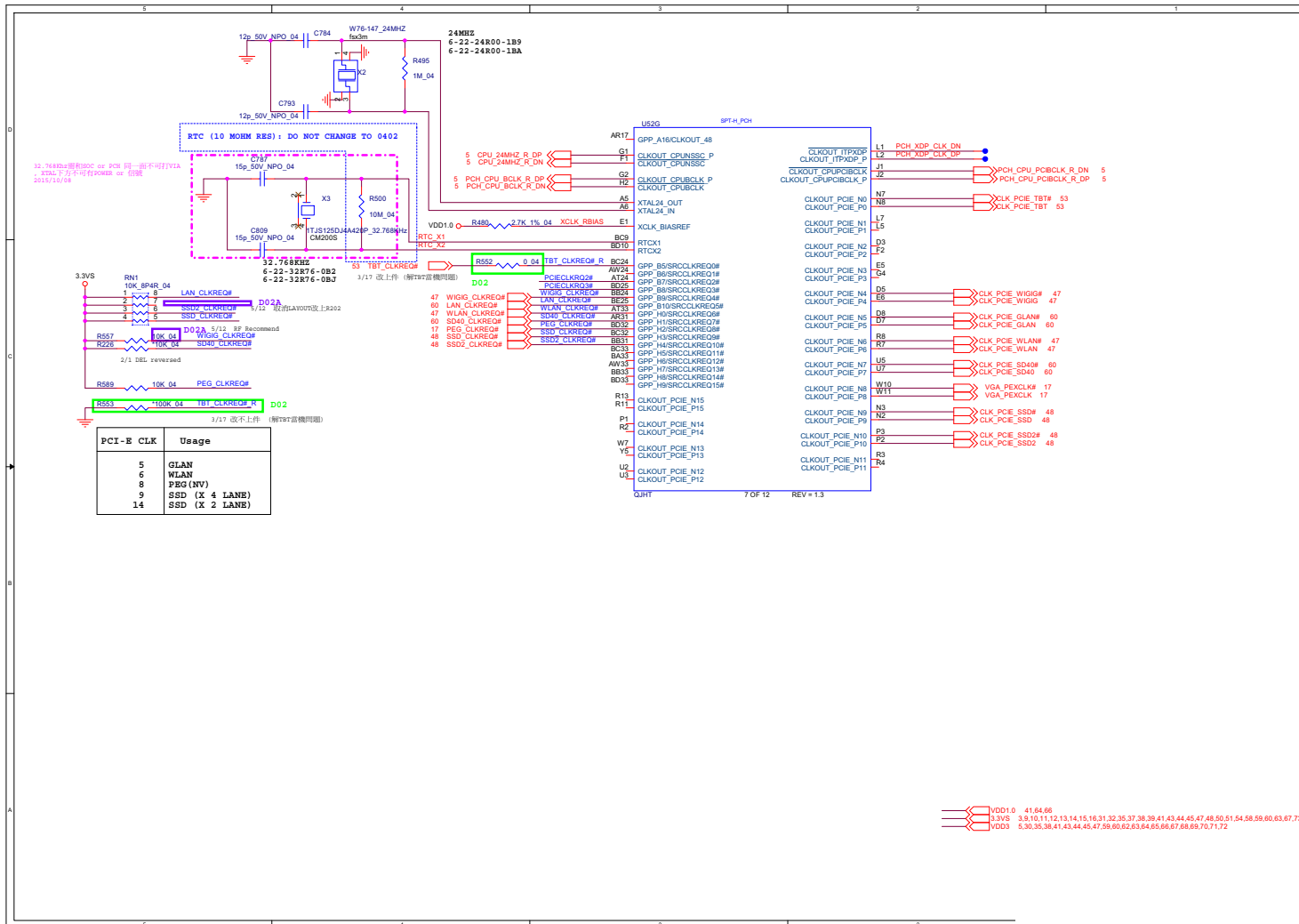


PCH 5/9

Sheet 39 of 91
PCH 5/9



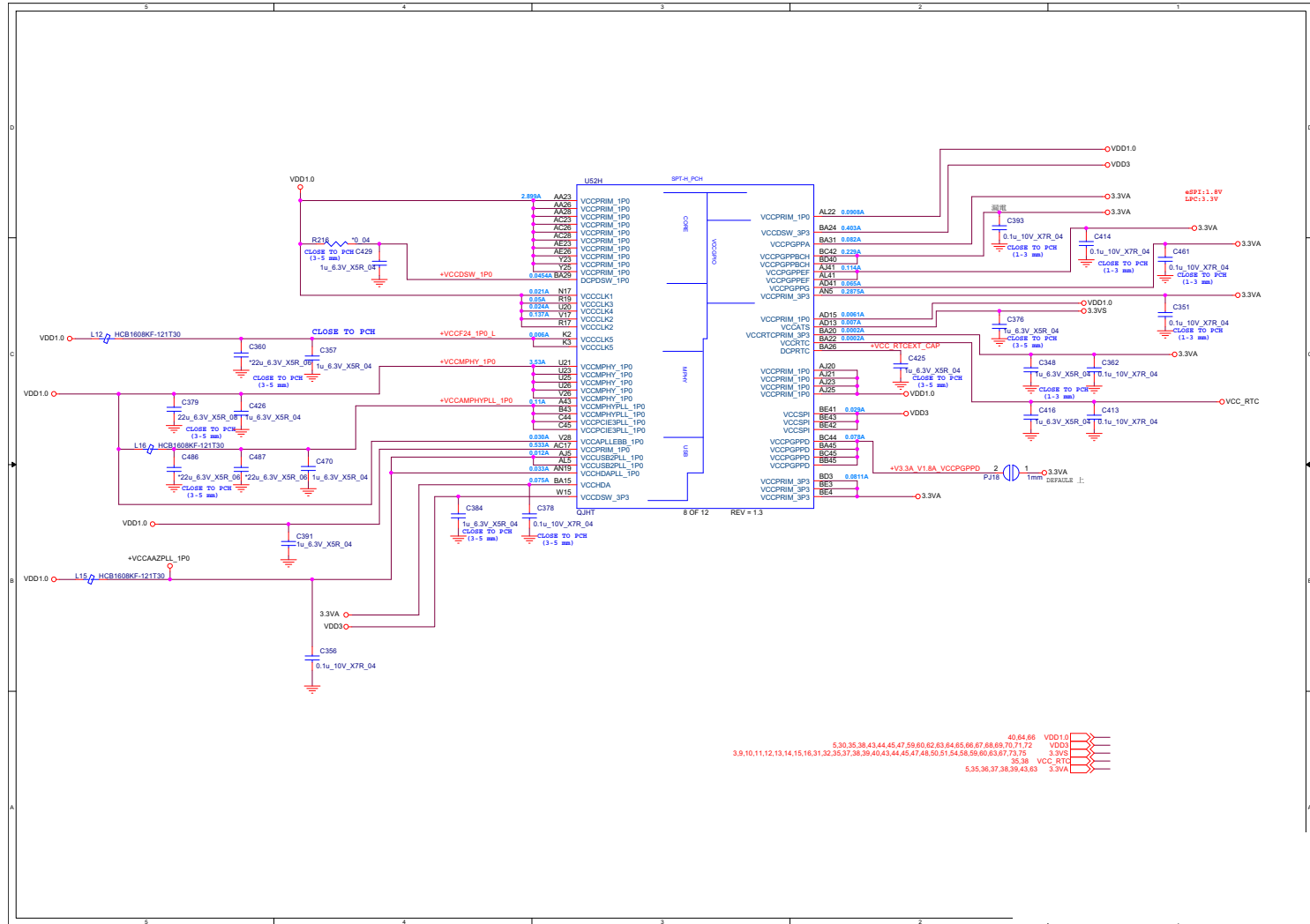
PCH 6/9



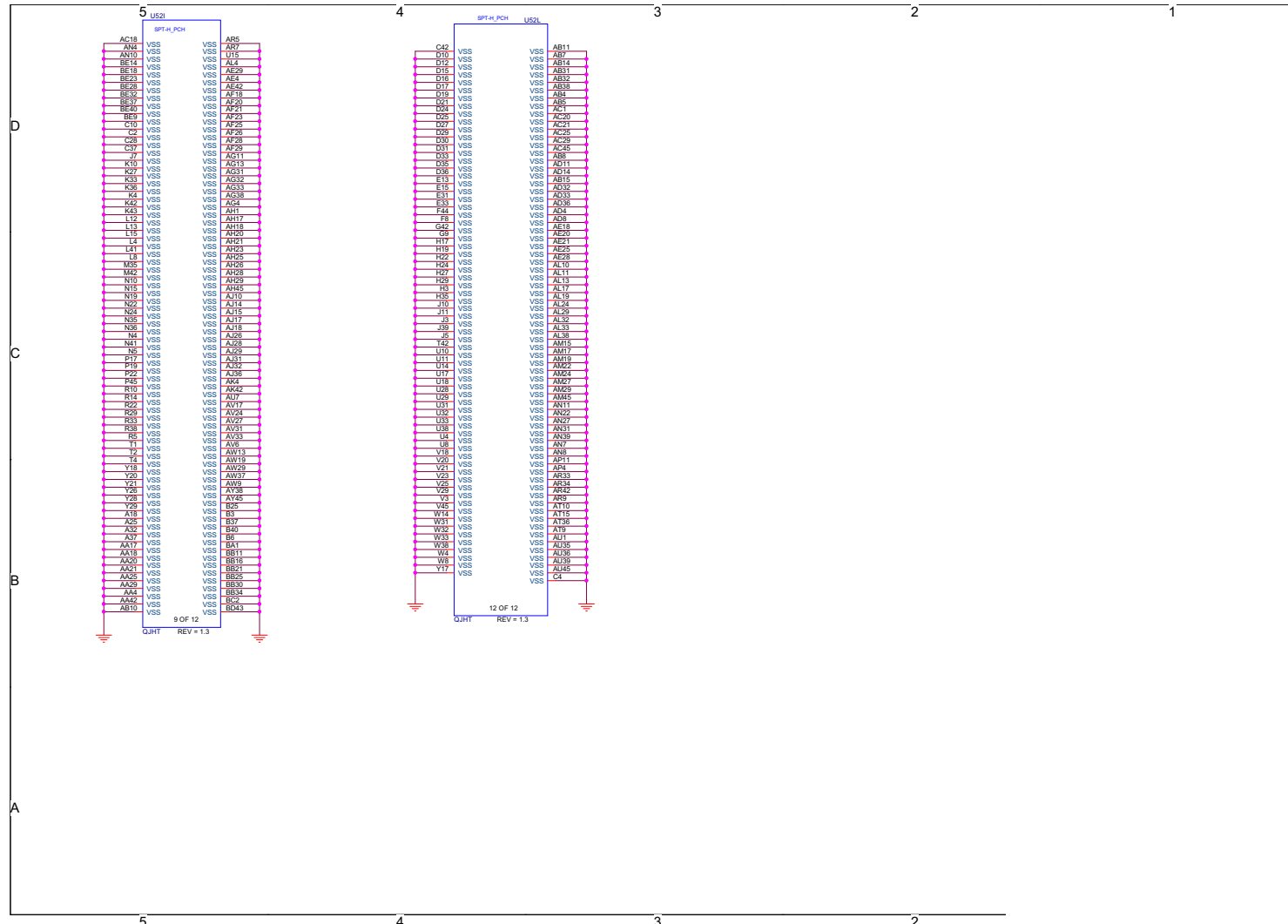
Sheet 40 of 91
 PCH 6/9

PCH 7/9

Sheet 41 of 91
PCH 7/9



PCH 8/9

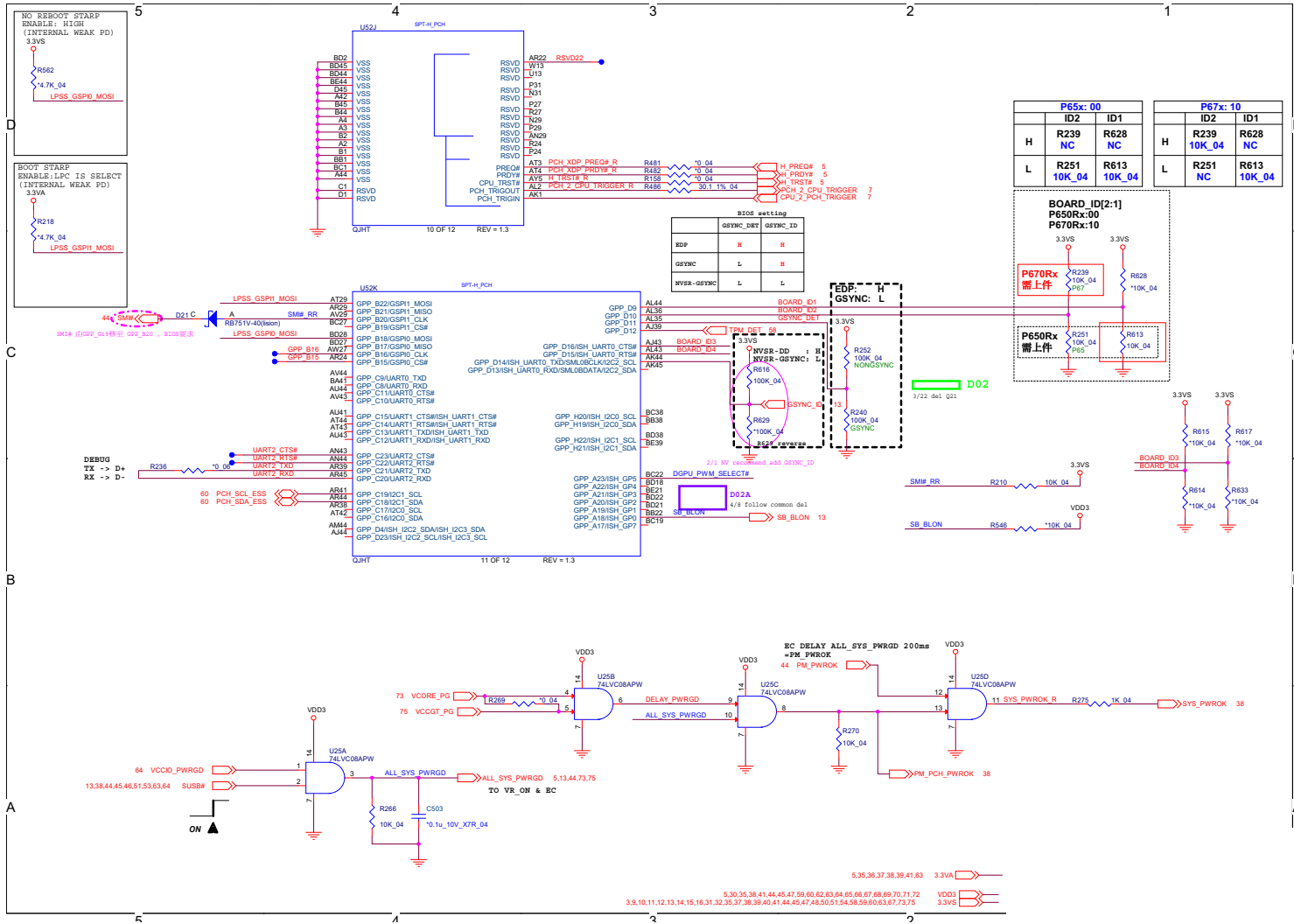


Sheet 42 of 91
PCH 8/9

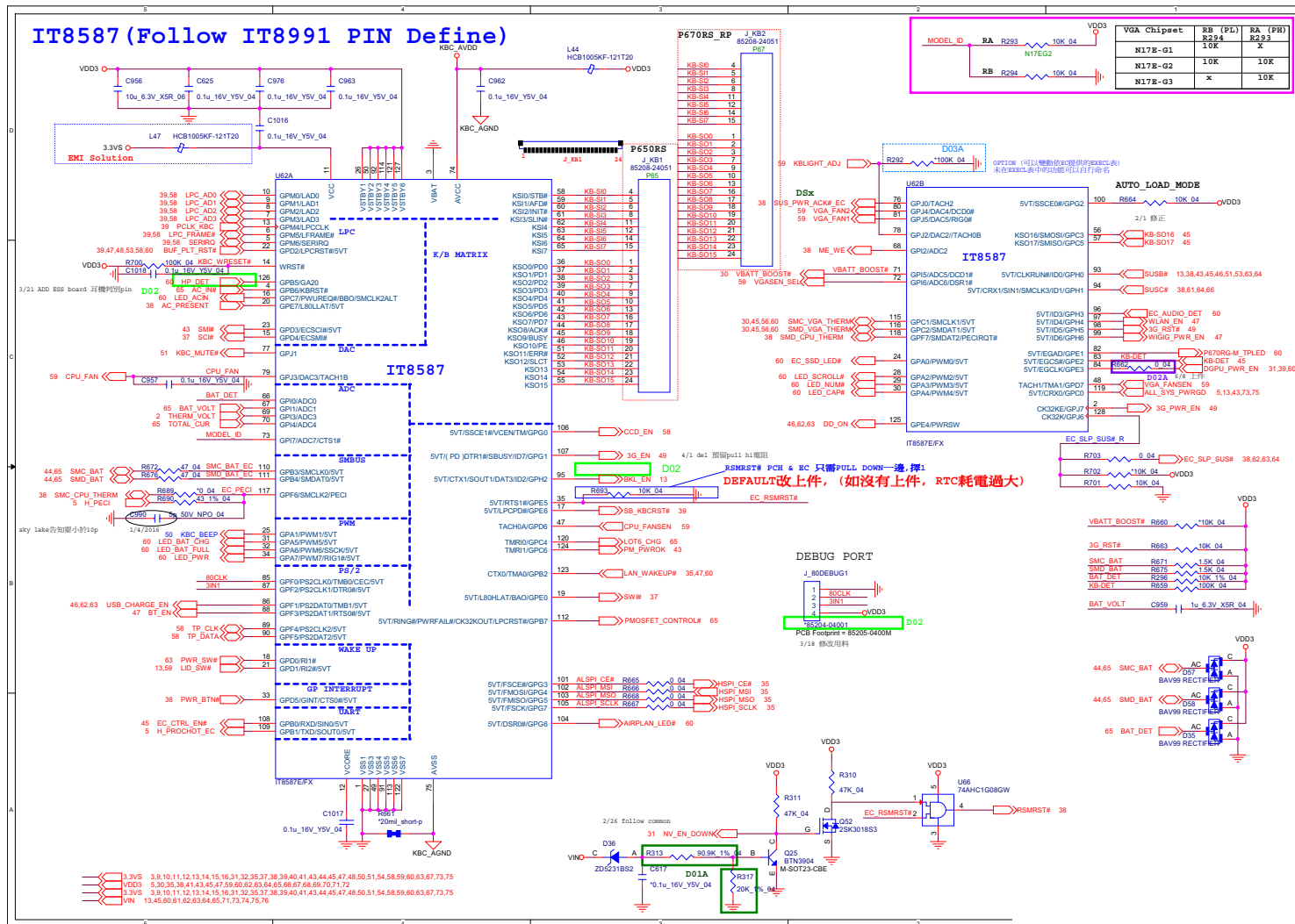
B.Schematic Diagrams

PCH 9/9

Sheet 43 of 91
PCH 9/9



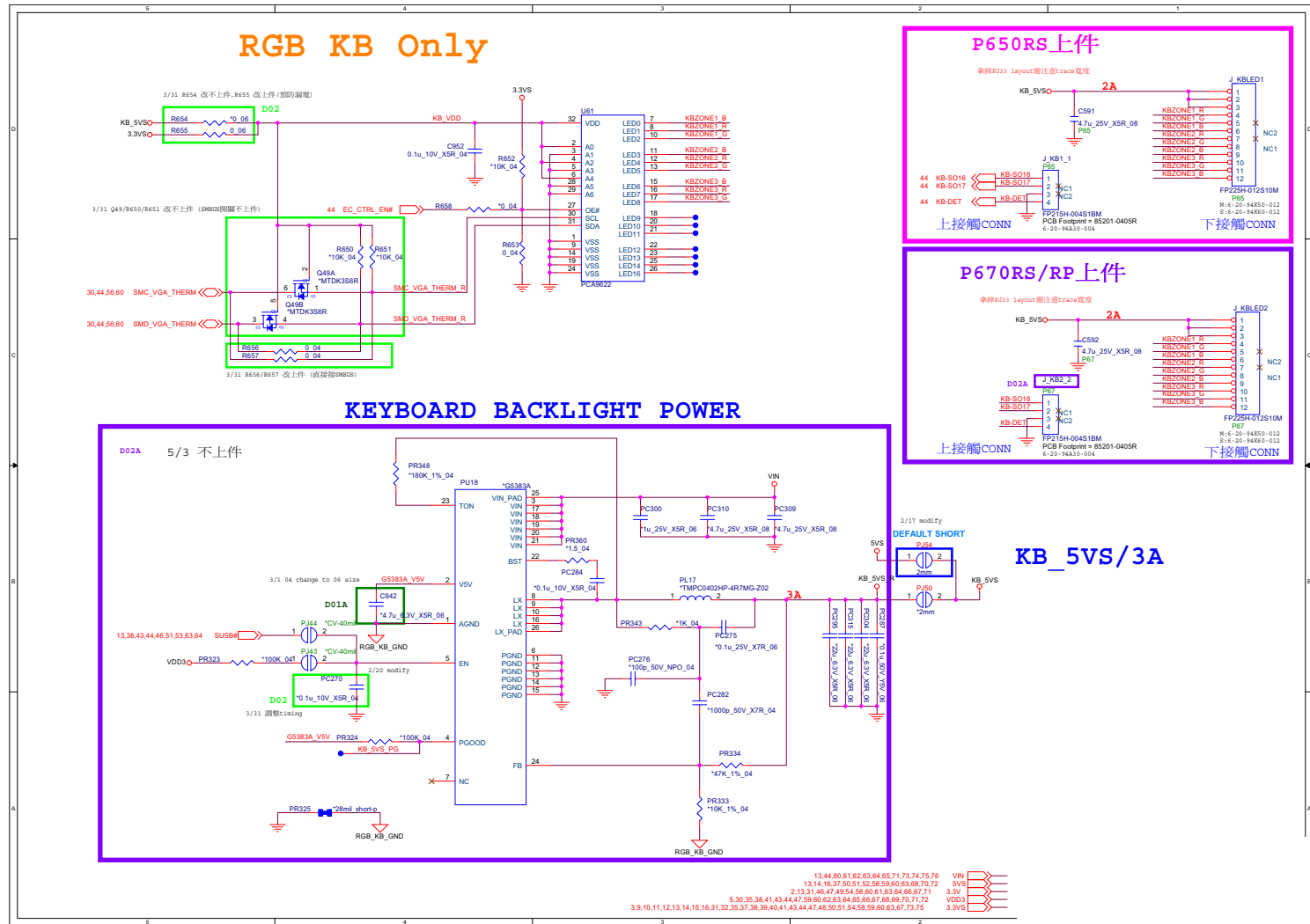
KBC IT8587



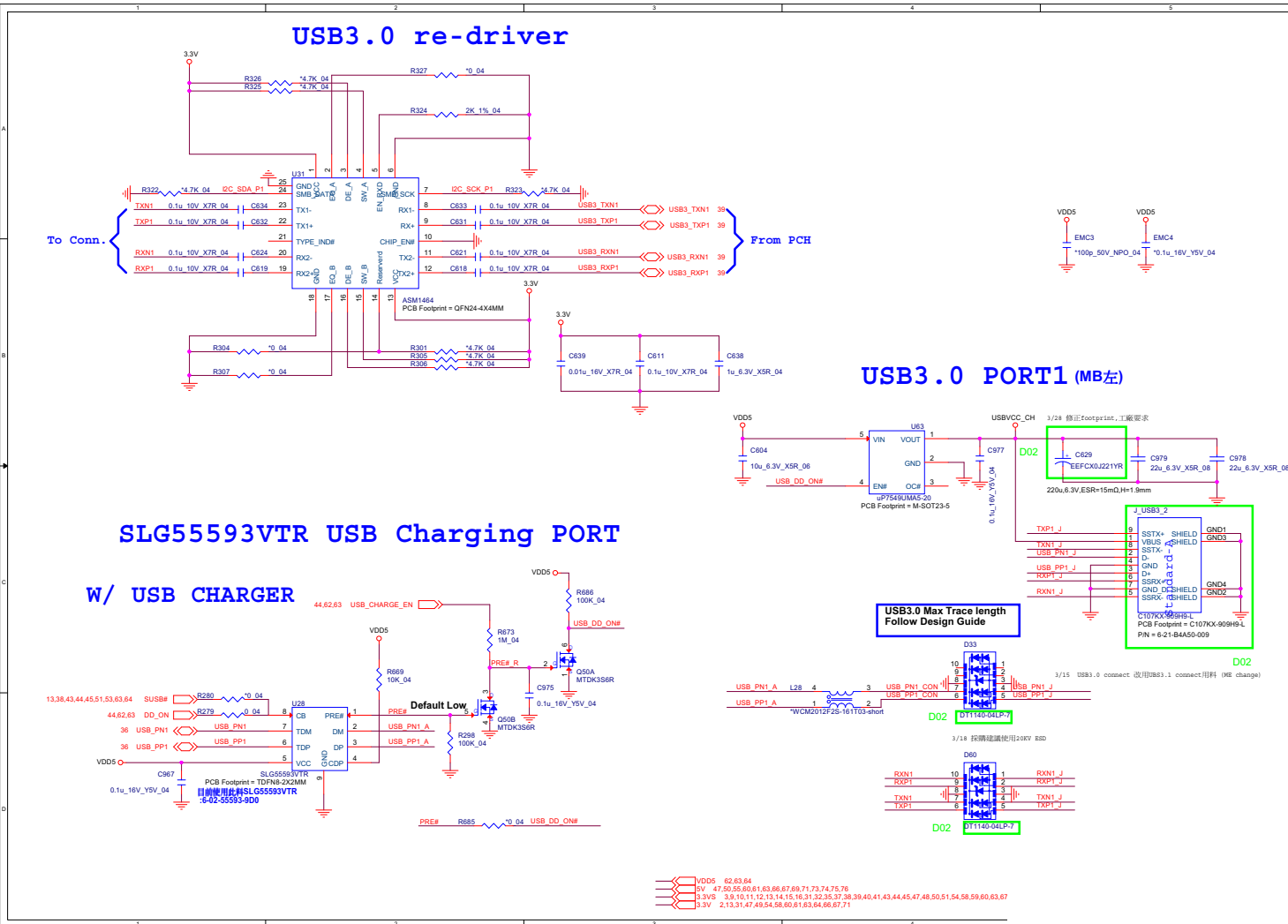
Sheet 44 of 91
KBC IT8587

RGB KB Only

Sheet 45 of 91
RGB KB only



USB Charger

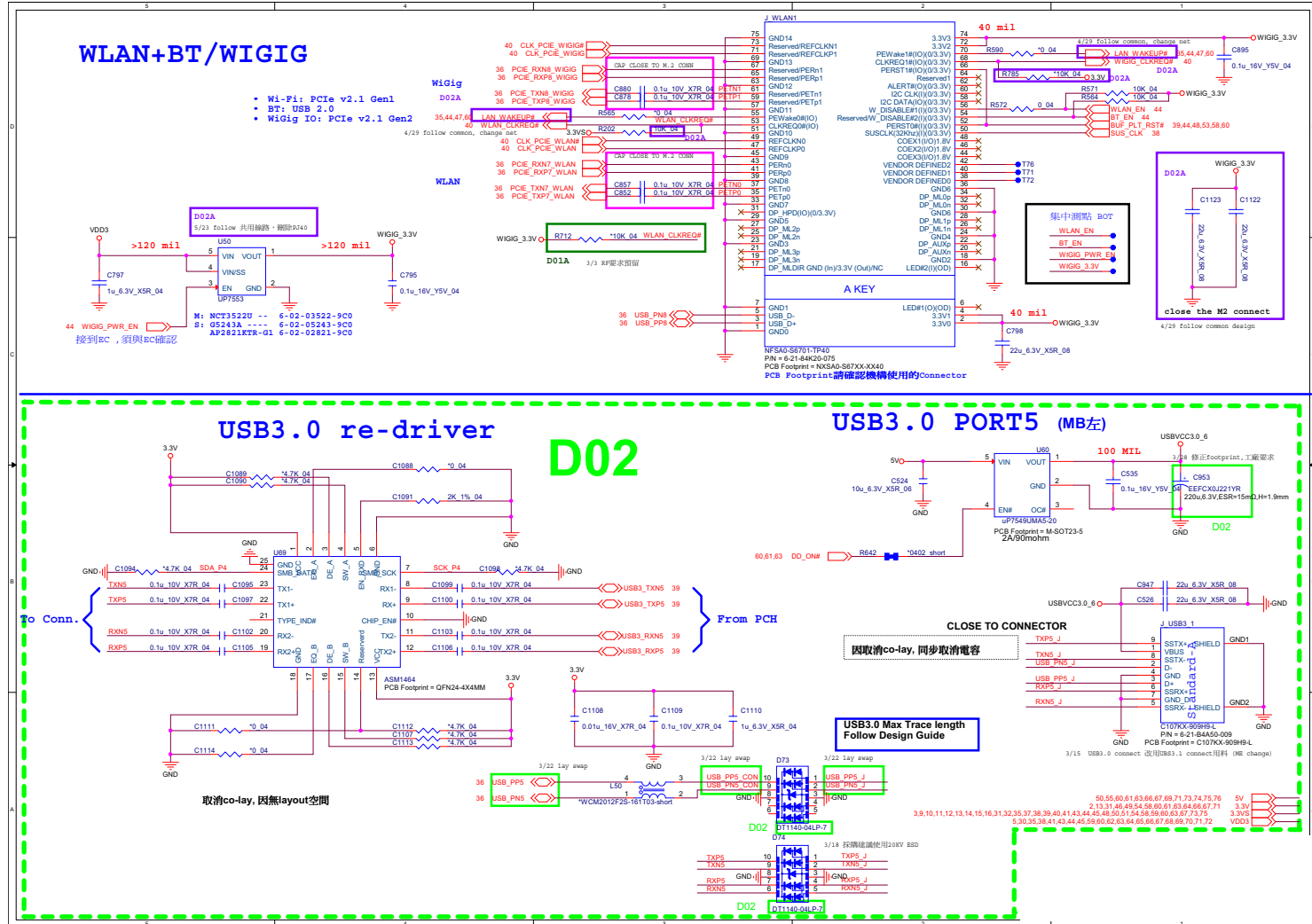


Sheet 46 of 91
USB Charger

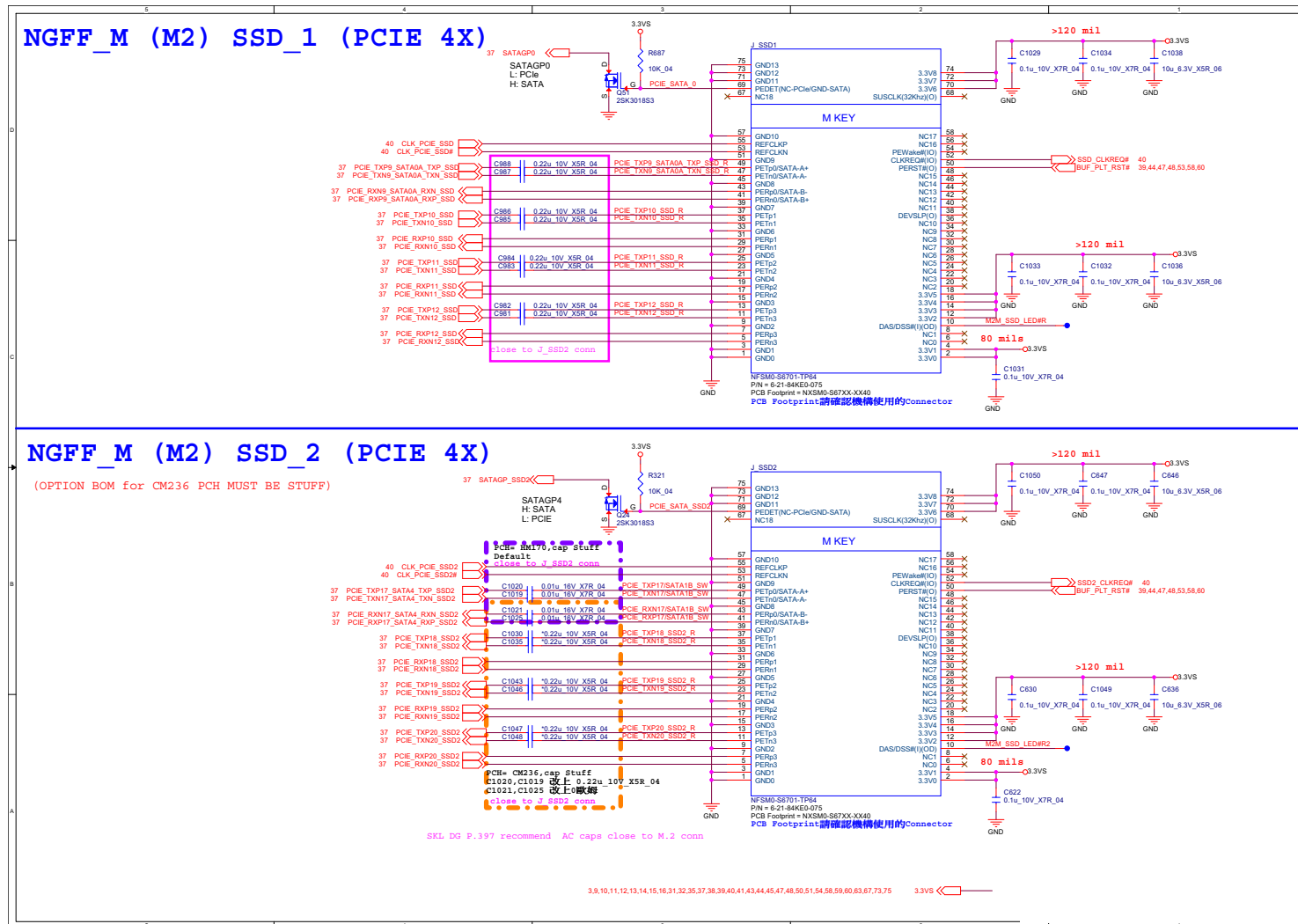
B.Schematic Diagrams

M.2 WiGig/WLAN + BT

Sheet 47 of 91
M.2 WiGig/WLAN +
BT

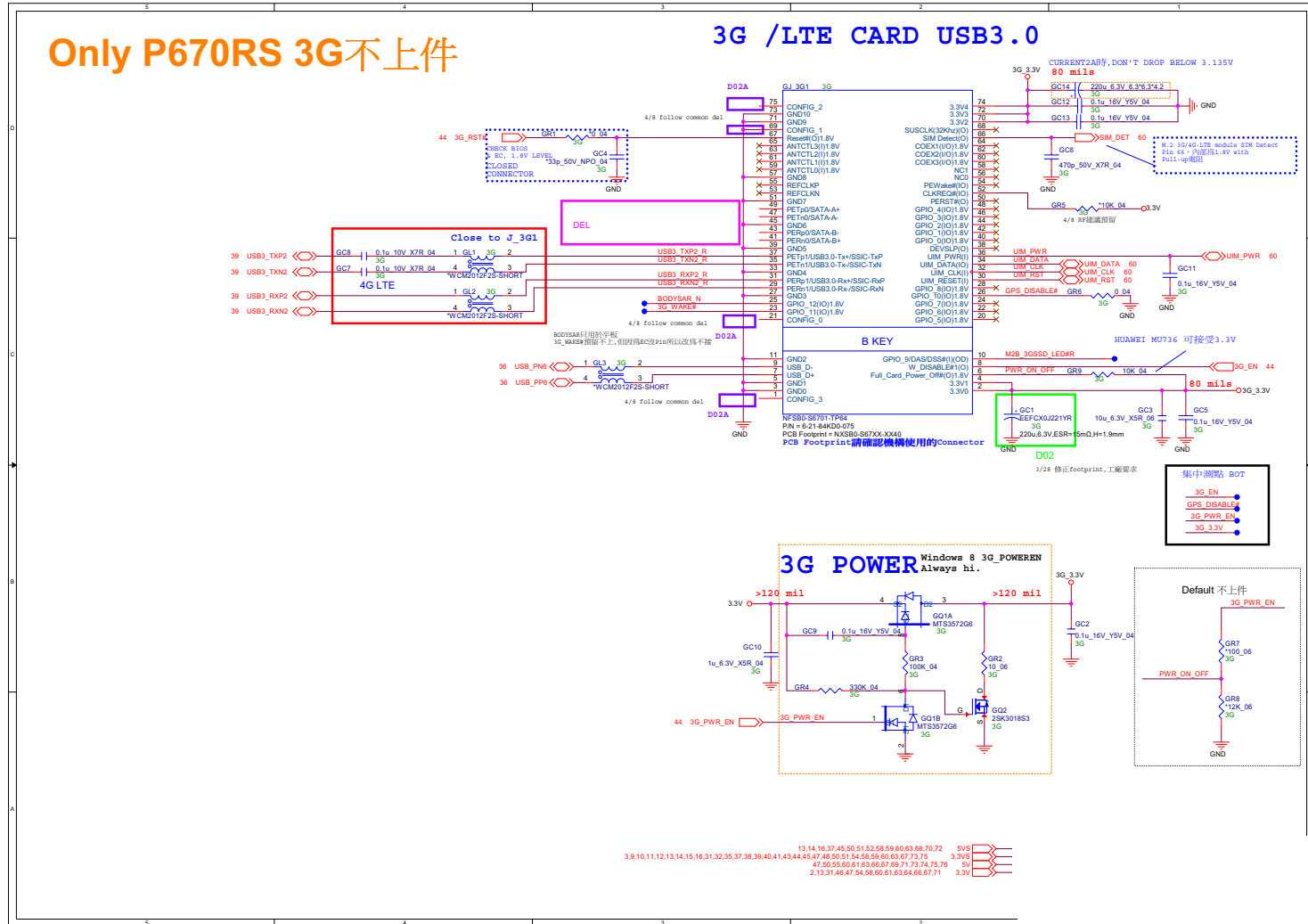


M.2 PCIE4X SSD



Sheet 48 of 91
M.2 PCIE4X SSD

M.2 3G/LTE

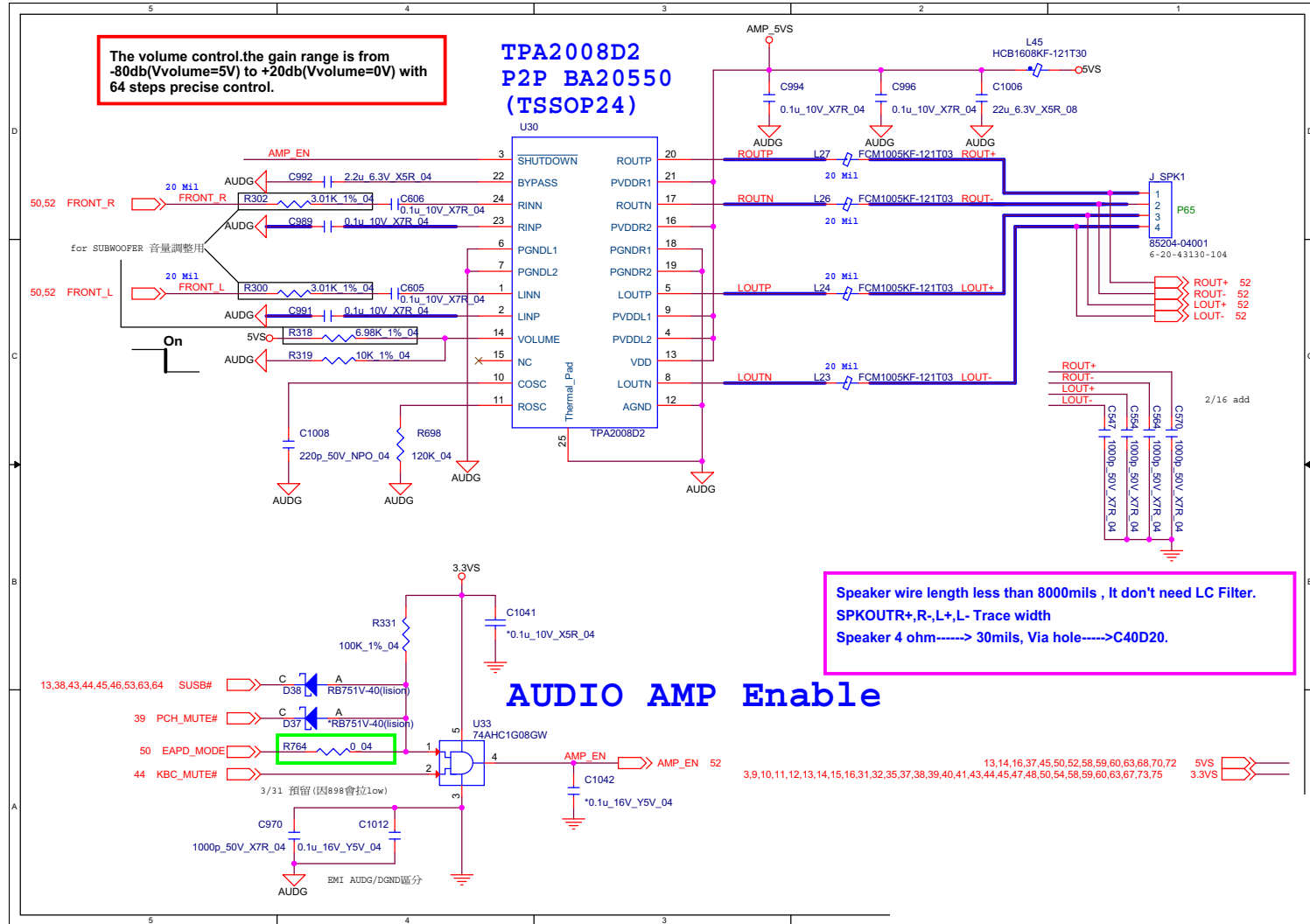


Schematic Diagrams

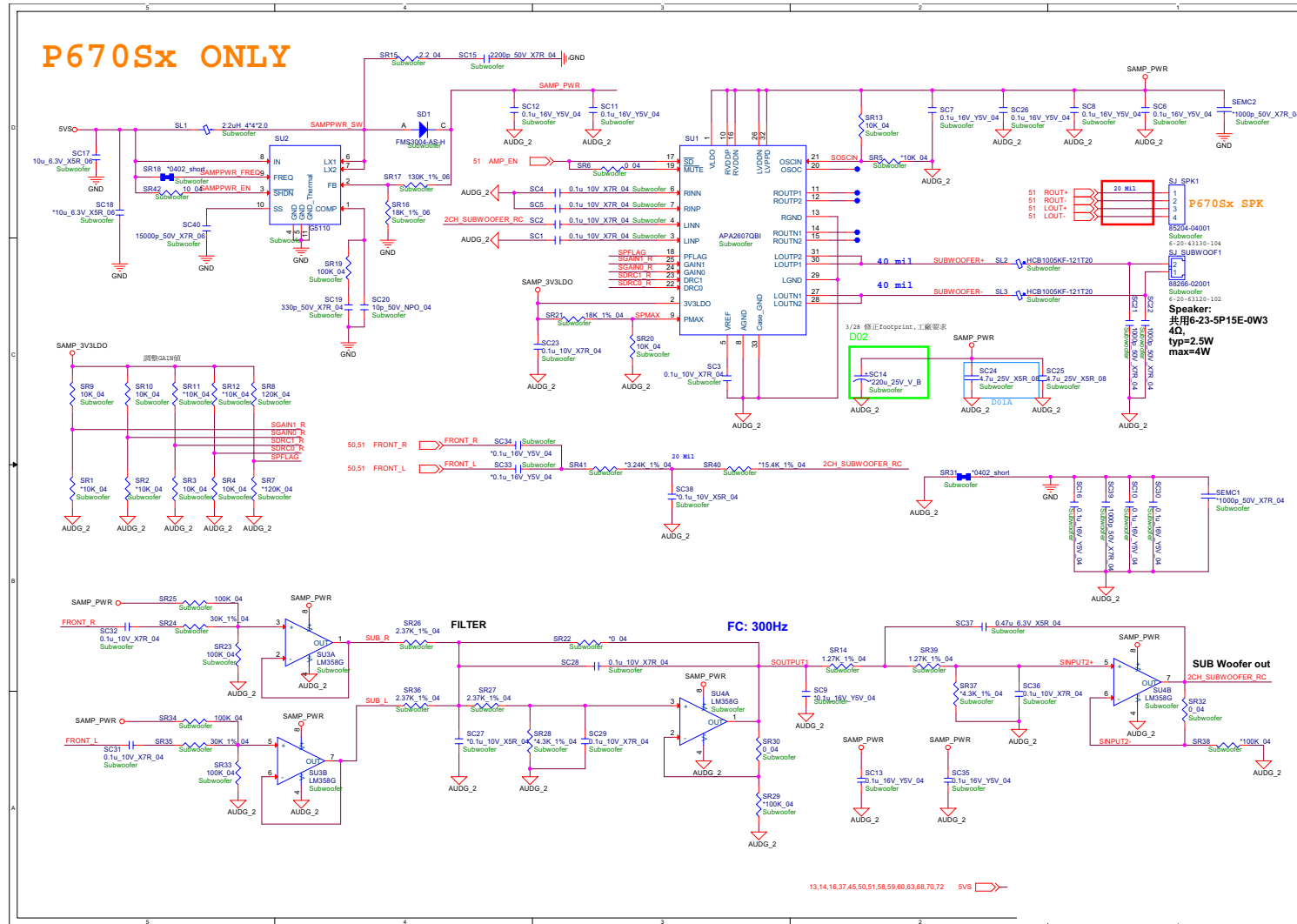
TPA2008D2

B.Schematic Diagrams

Sheet 51 of 91
TPA2008D2



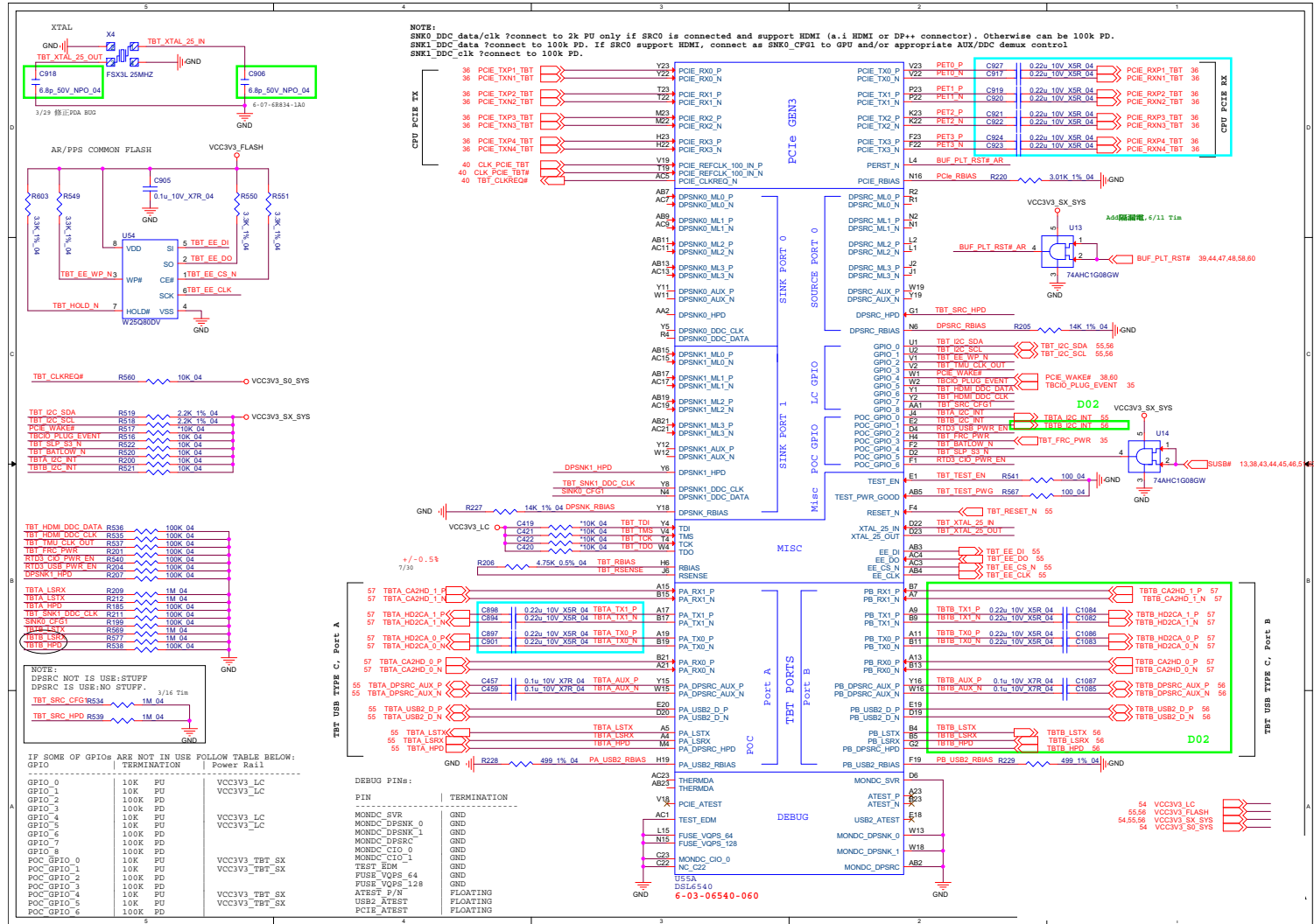
Subwoofer



Sheet 52 of 91
Subwoofer

B.Schematic Diagrams

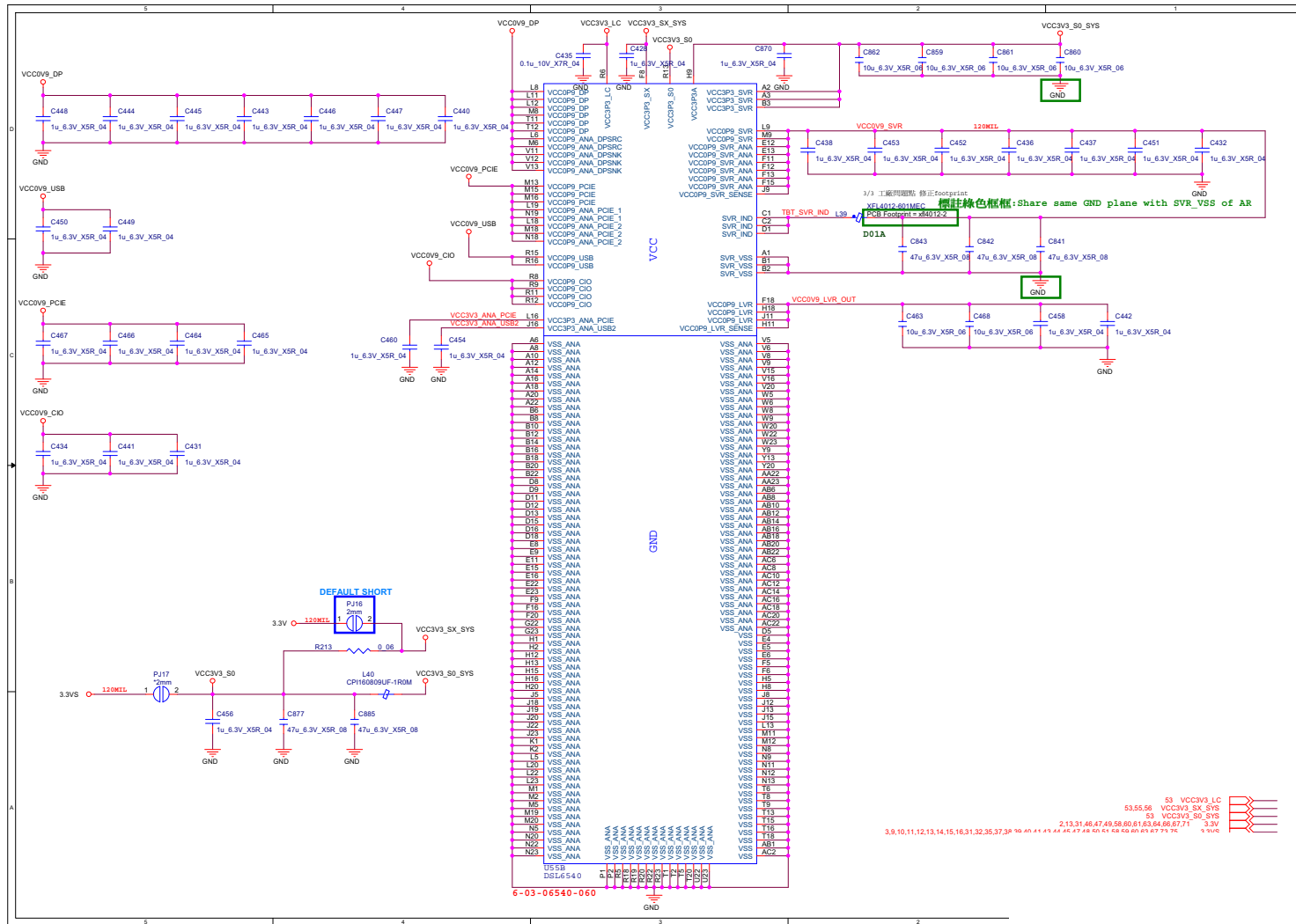
AR_TBT



Sheet 53 of 91
AR_TBT

B.Schematic Diagrams

AR_Power

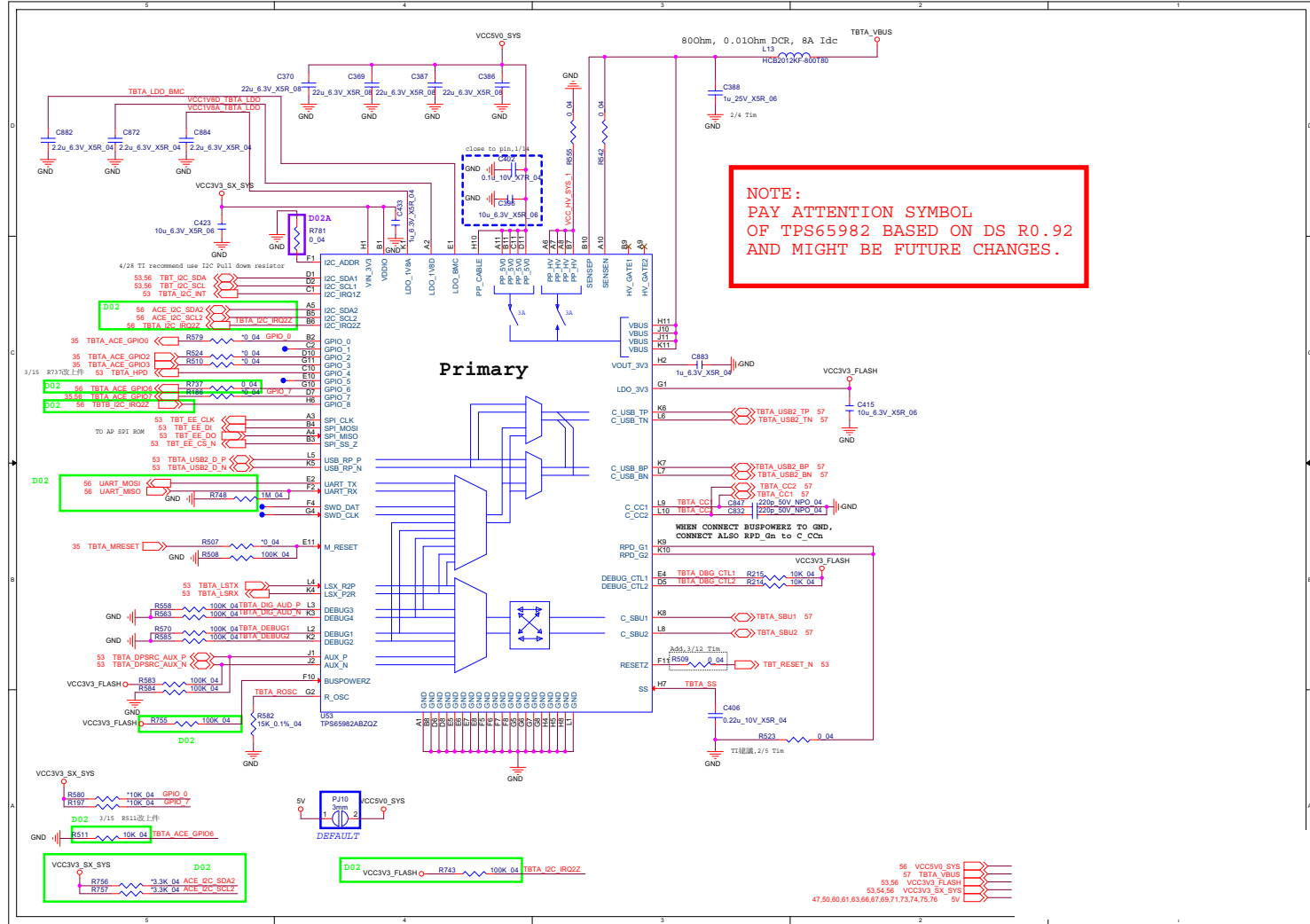


Sheet 54 of 91
AR_Power

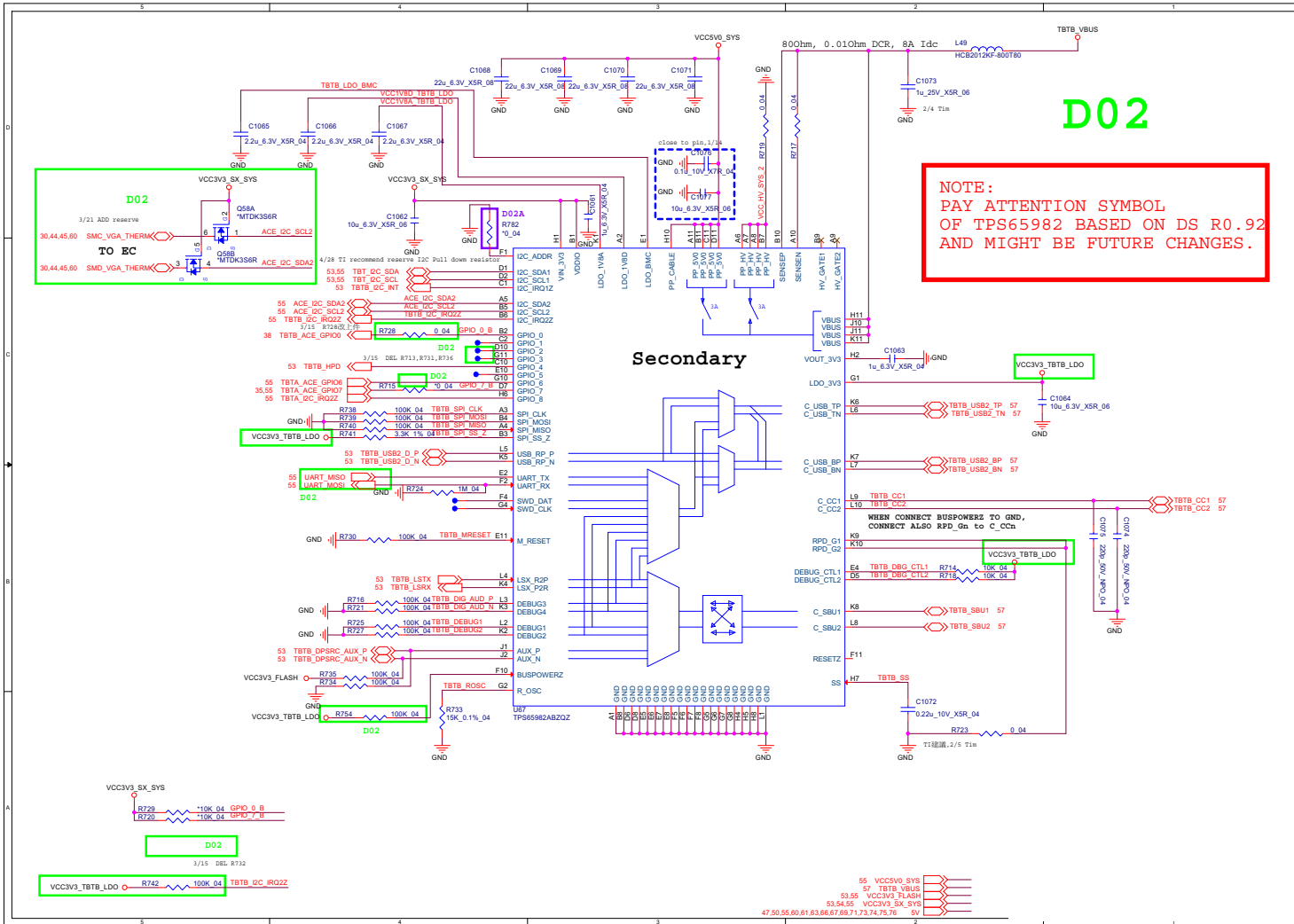
B.Schematic Diagrams

TPS65982

Sheet 55 of 91
TPS65982



TPS65982-1



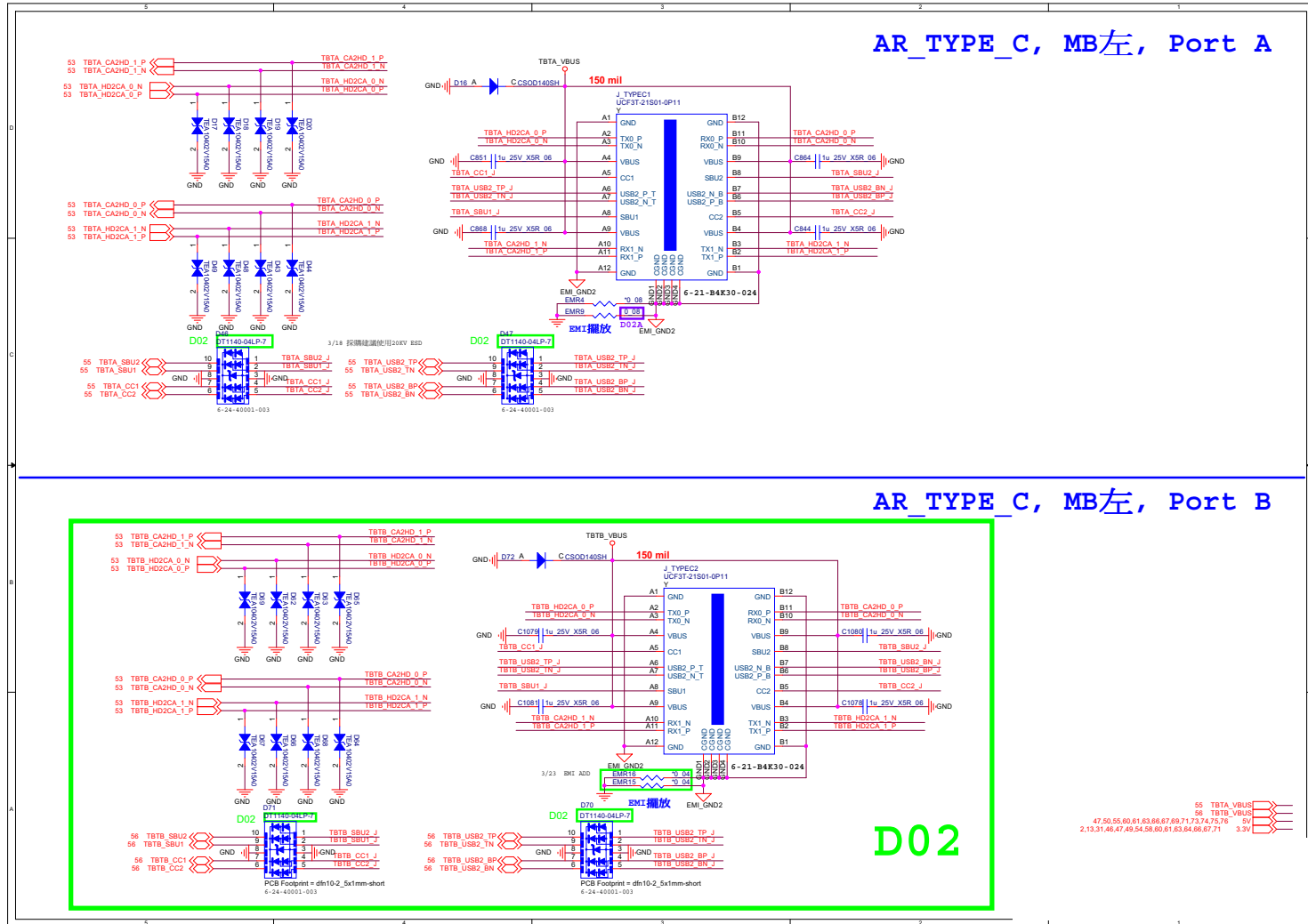
Sheet 56 of 91
TPS65982-1

B.Schematic Diagrams

Schematic Diagrams

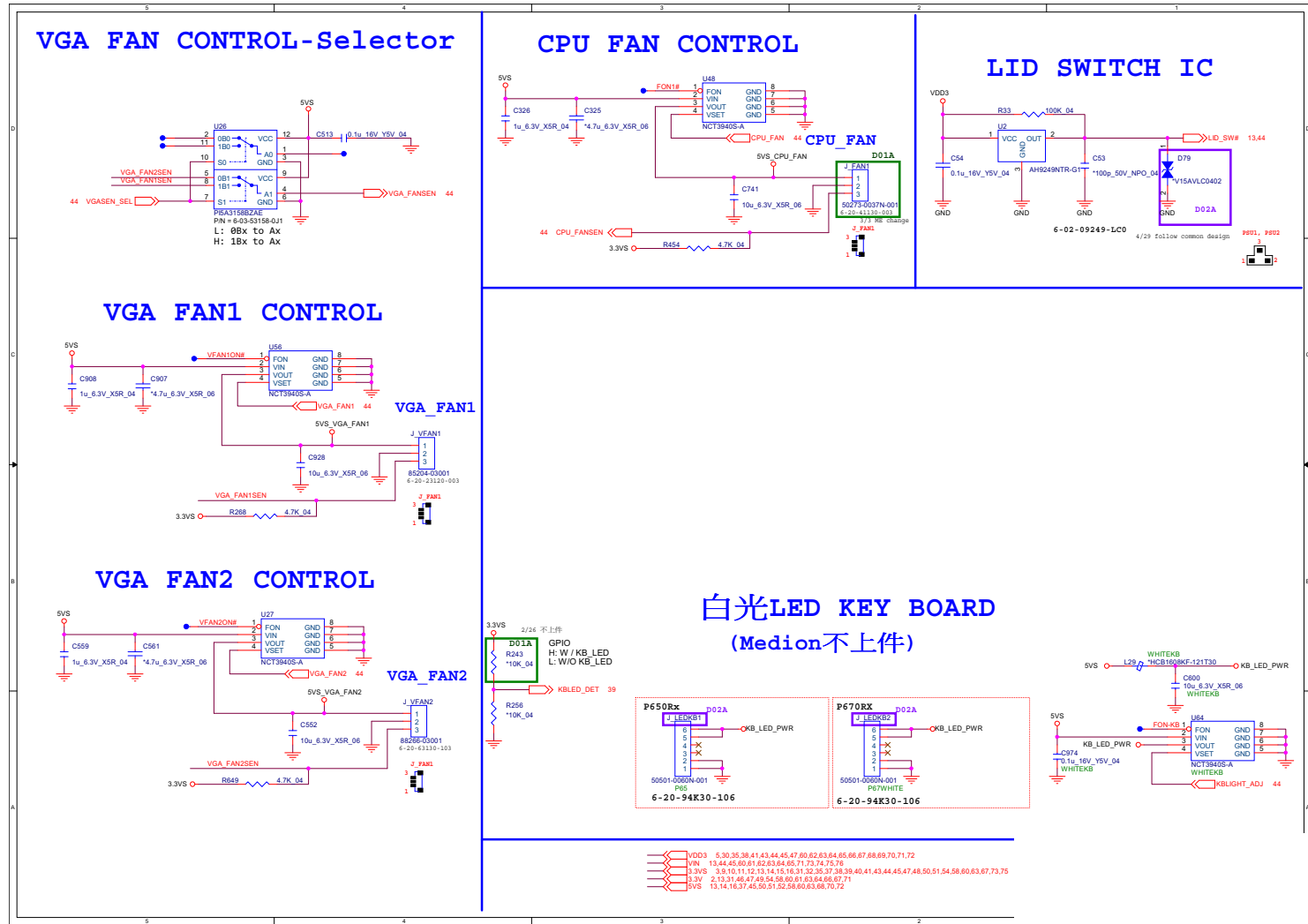
AR_Conn

Sheet 57 of 91
AR_Conn

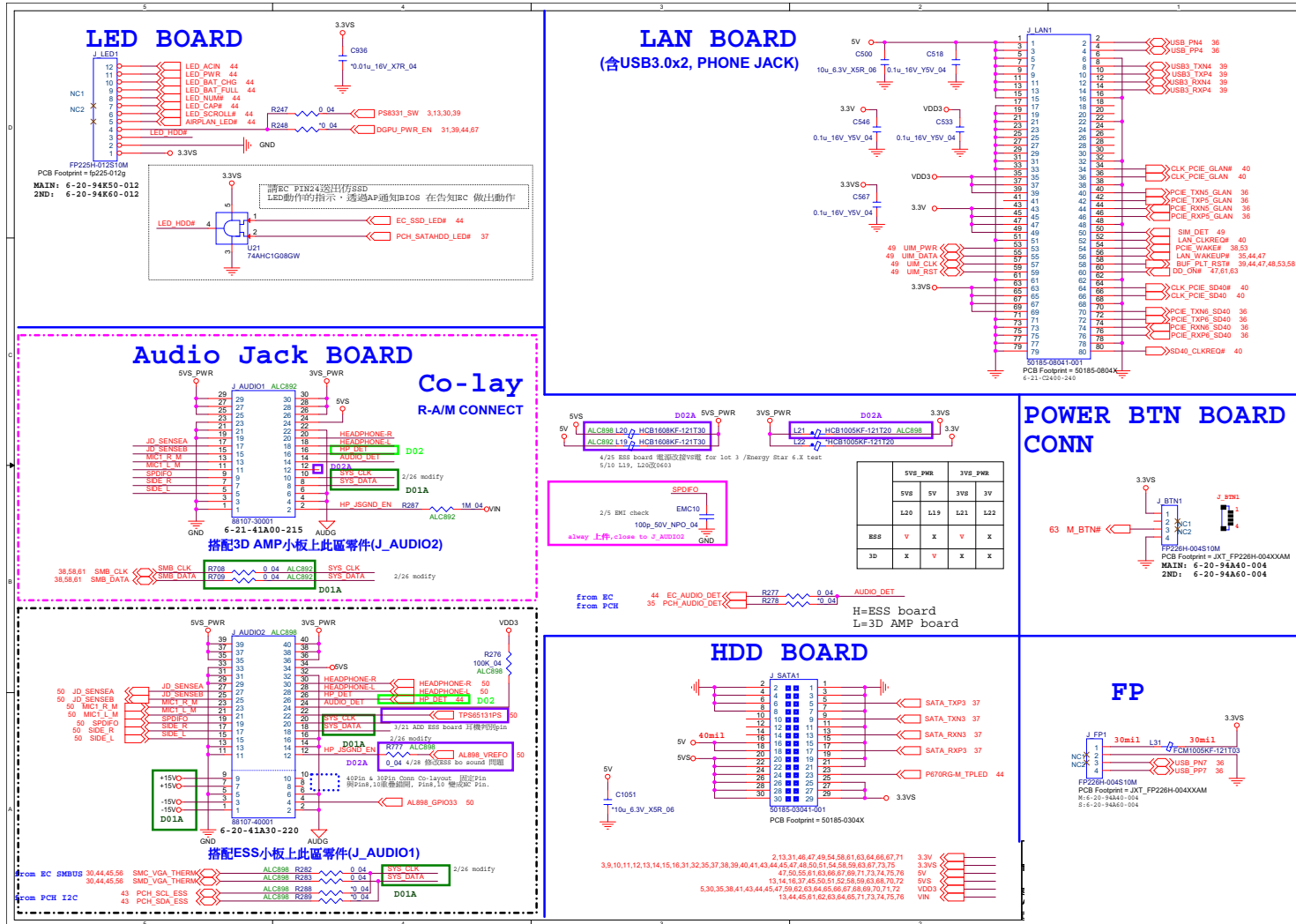


Fan, LID, KB LED

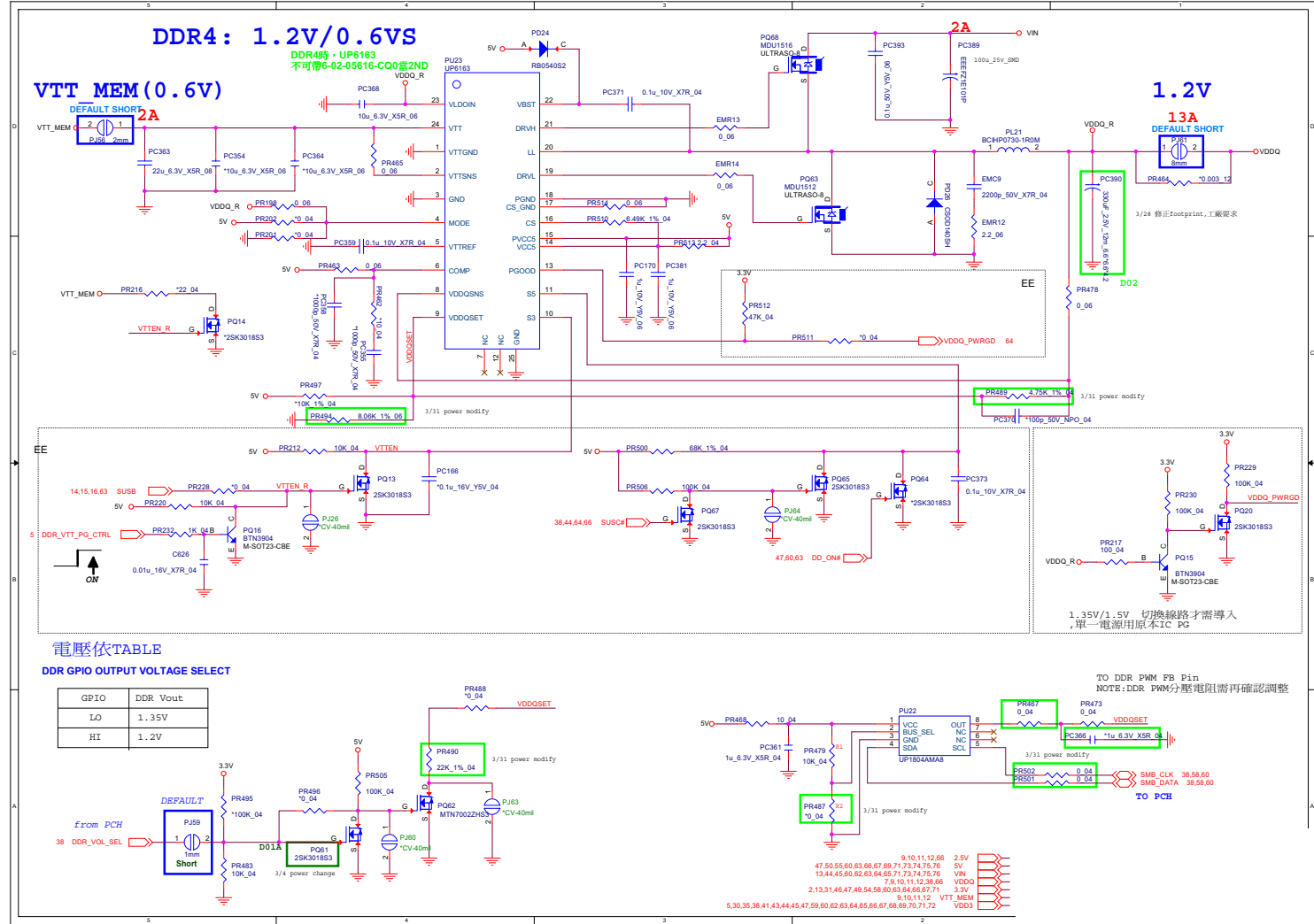
Sheet 59 of 91
Fan, LID, KB LED



Connector



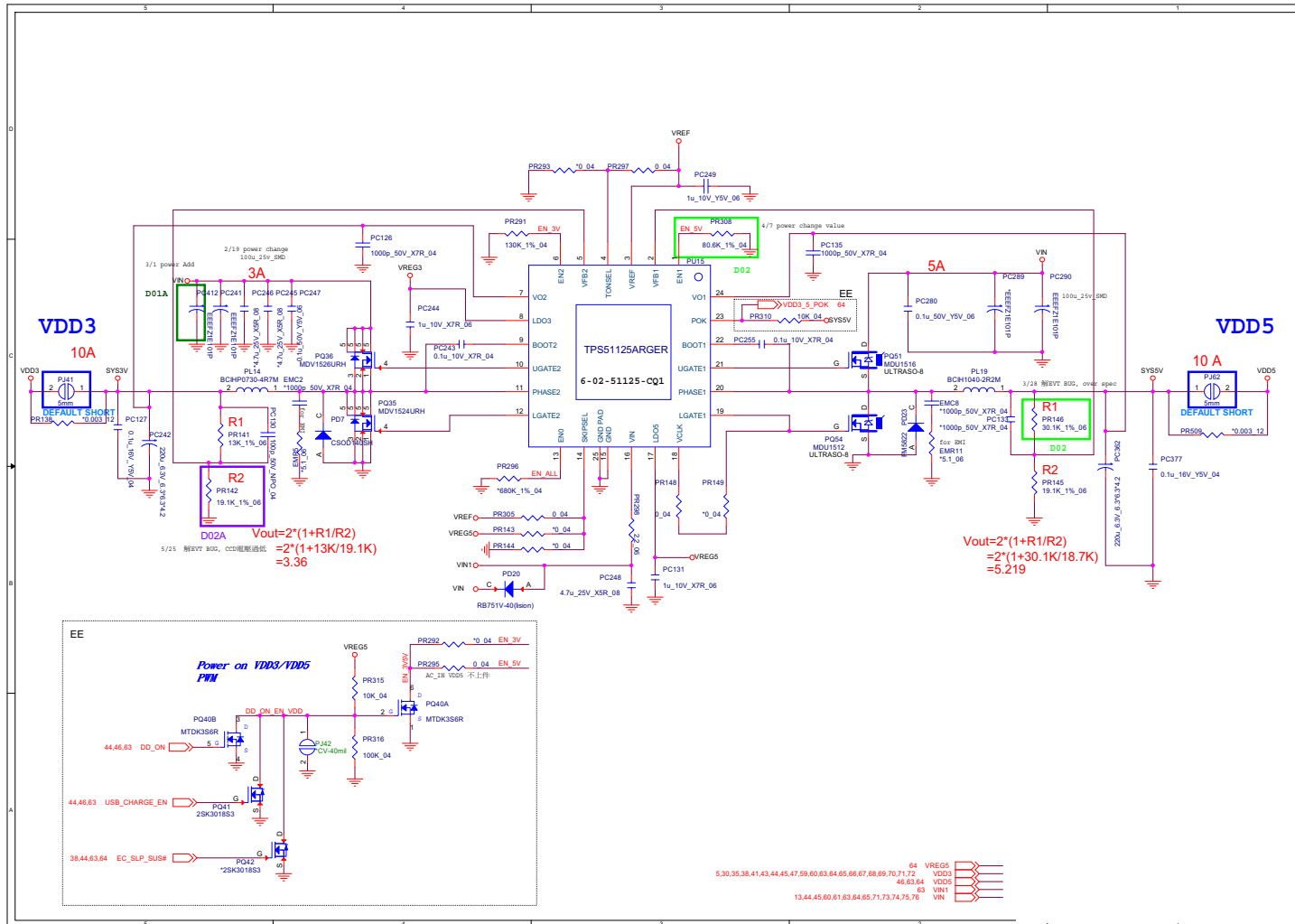
DDR 1.2V / 0.6V



Sheet 61 of 91
 DDR 1.2V / 0.6VS

B.Schematic Diagrams

VDD3, VDD5



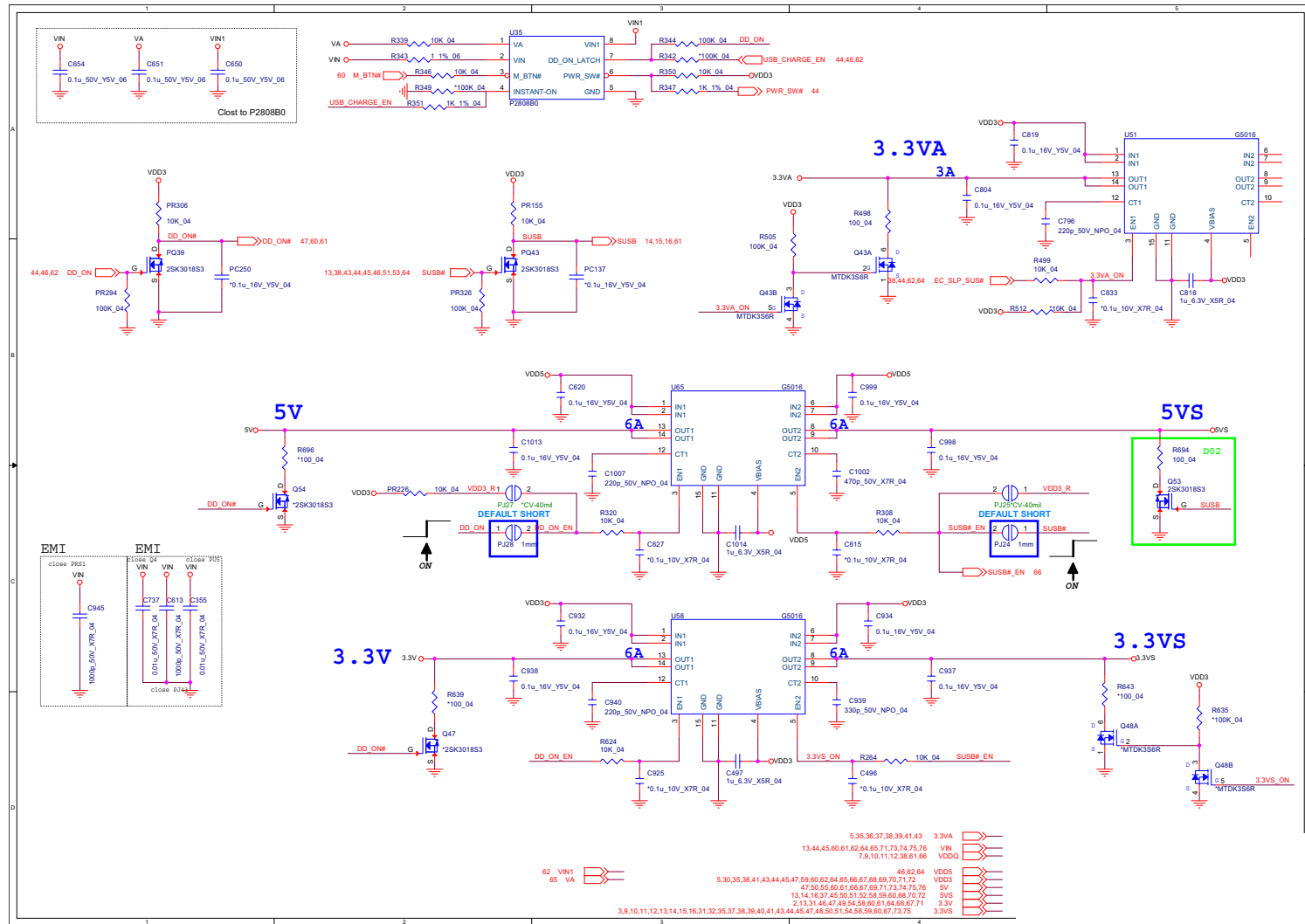
Sheet 62 of 91
VDD3, VDD5

B.Schematic Diagrams

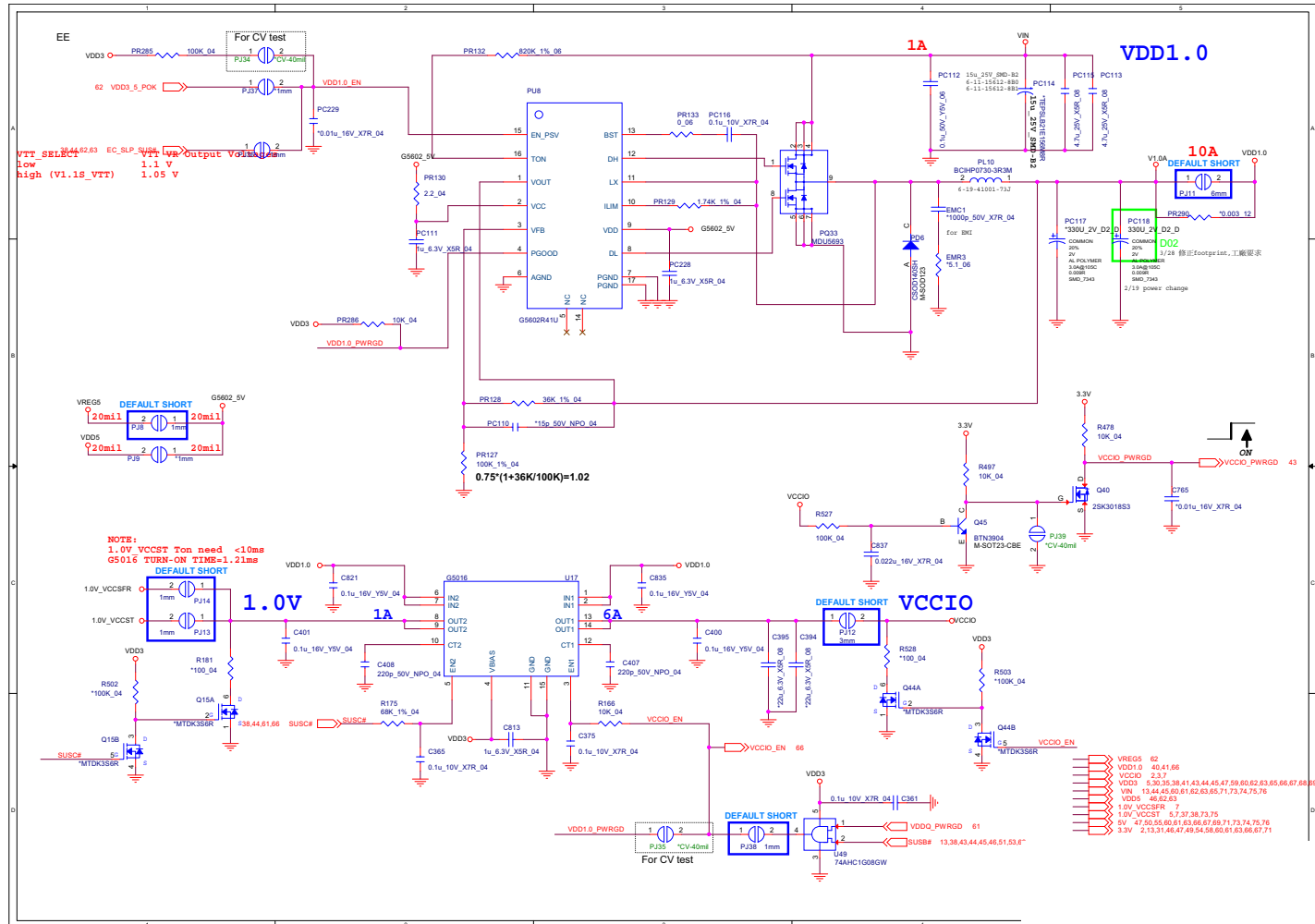
Schematic Diagrams

5V, 5VS, 3.3V, 3.3VS, 3.3V

Sheet 63 of 91
5V, 5VS, 3.3V,
3.3VS, 3.3VA



Power 1.0V, VCCIO



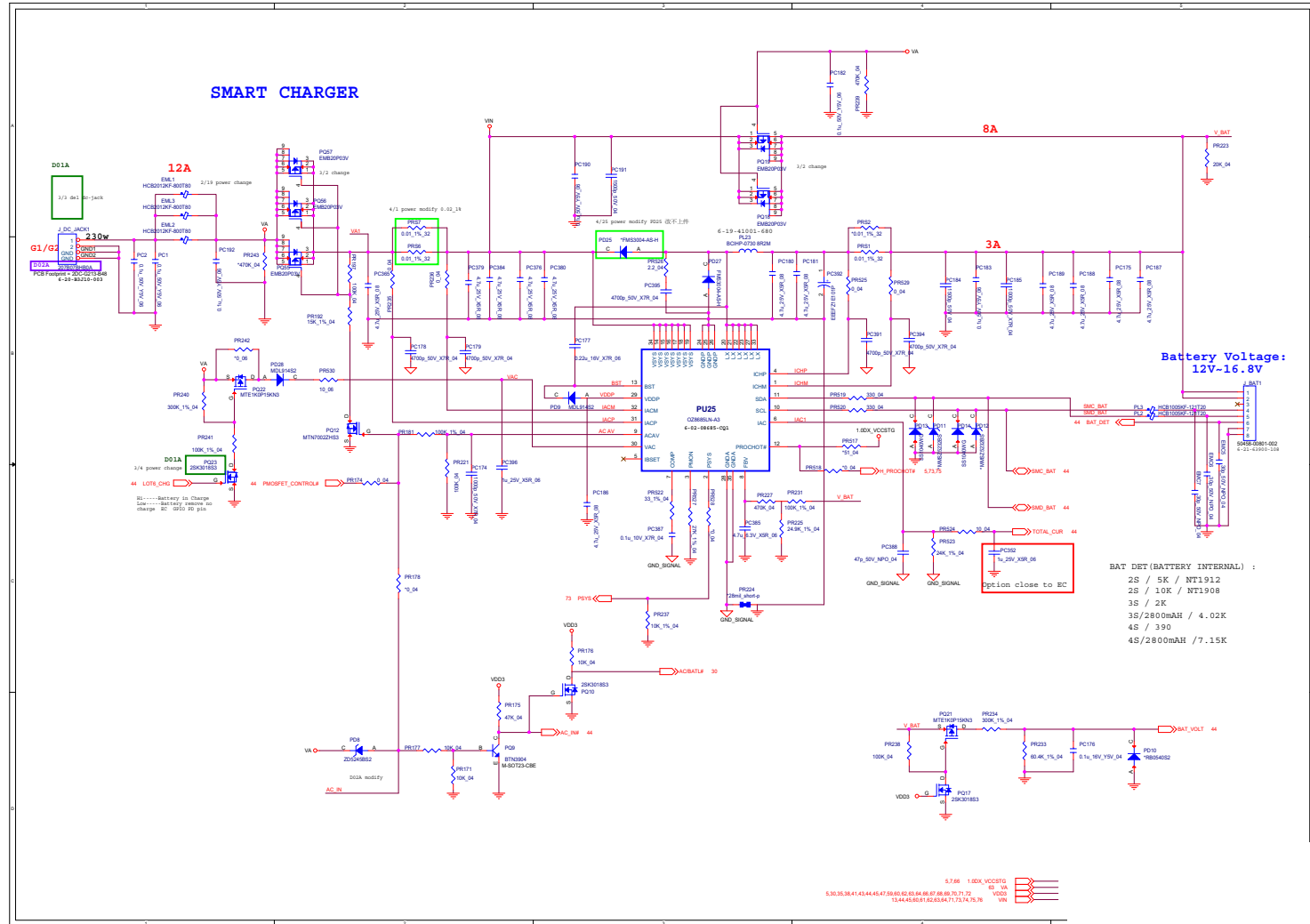
Sheet 64 of 91
Power 1.0V, VCCIO

B.Schematic Diagrams

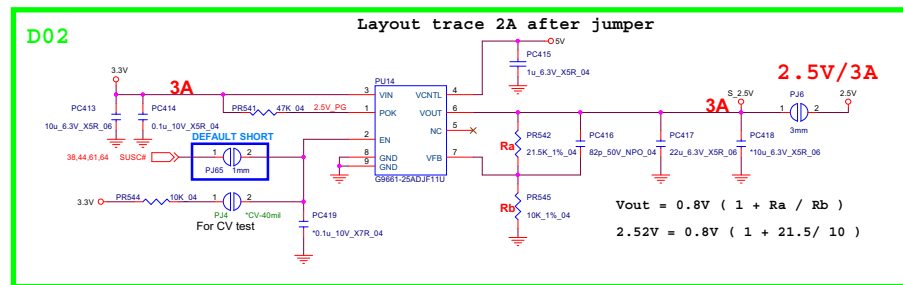
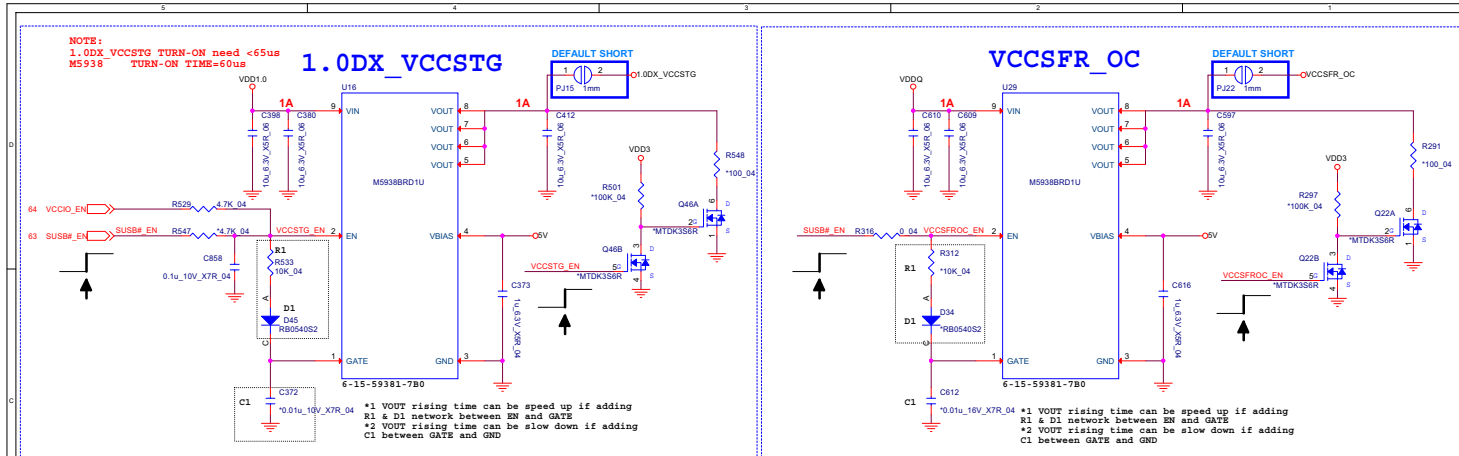
Schematic Diagrams

AC_In, Charger

Sheet 65 of 91
AC_In, Charger



1.0DX_VCCSTG/VCCSFR_OC/2.5V



3/18 採購要求變更採用LDO用料 power check

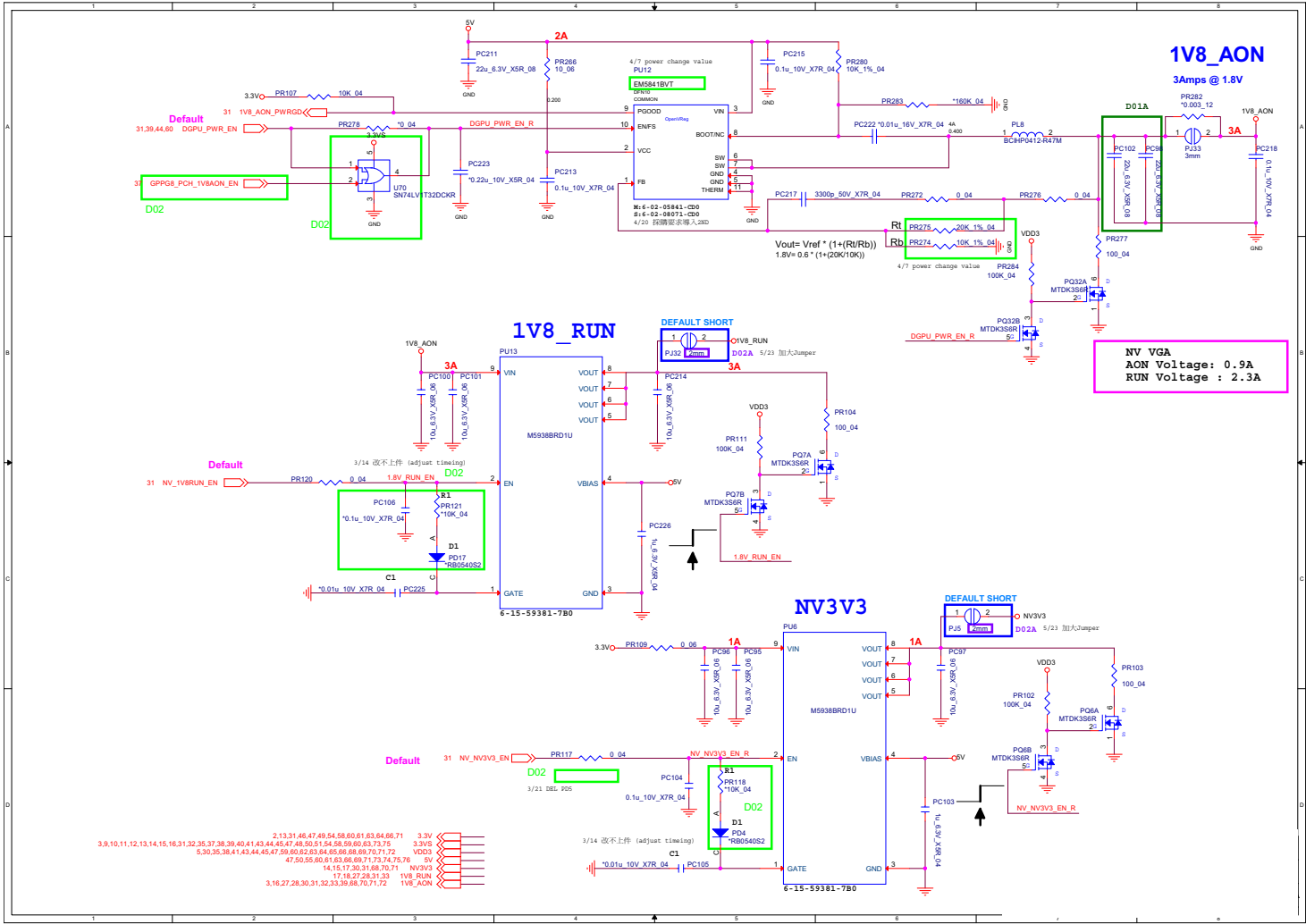
2.13,31,46,47,49,54,58,80,81,83,84
 13,44,45,80,81,82,83,84,85,71,73,74
 9.3
 7.9,10,11,12,3
 7
 47,50,55,60,61,63,67,69,71,73,7
 5,7,65 1,
 40,4
 5,30,35,38,41,43,44,45,47,59,60,62,63,64,65,67,68,69,70,71,

Schematic Diagrams

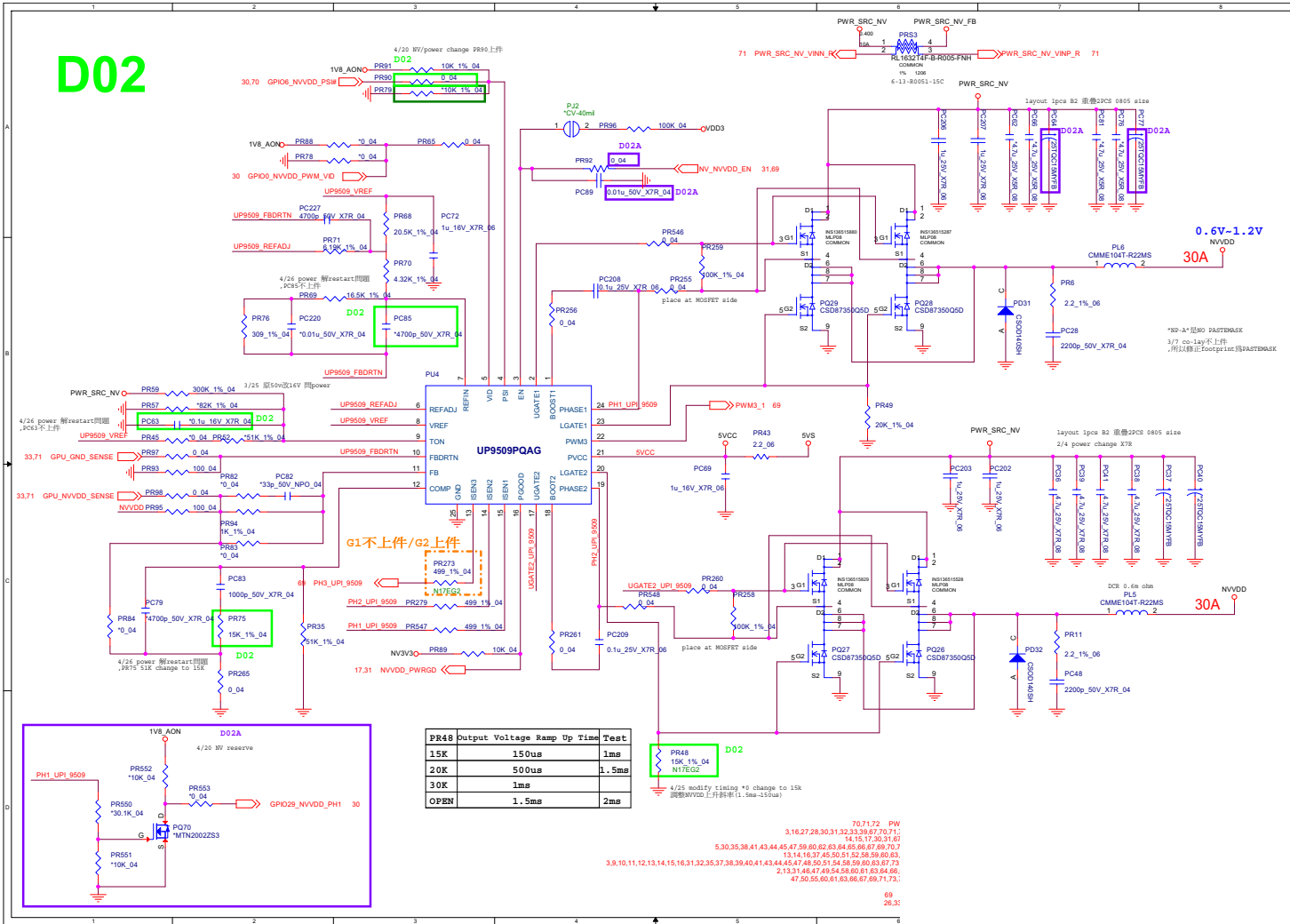
1V8_RUN/AON, NV3V3

B.Schematic Diagrams

Sheet 67 of 91_Run
1V8_RUN/AON,
NV3V3



NVDD Phase 1 & 2



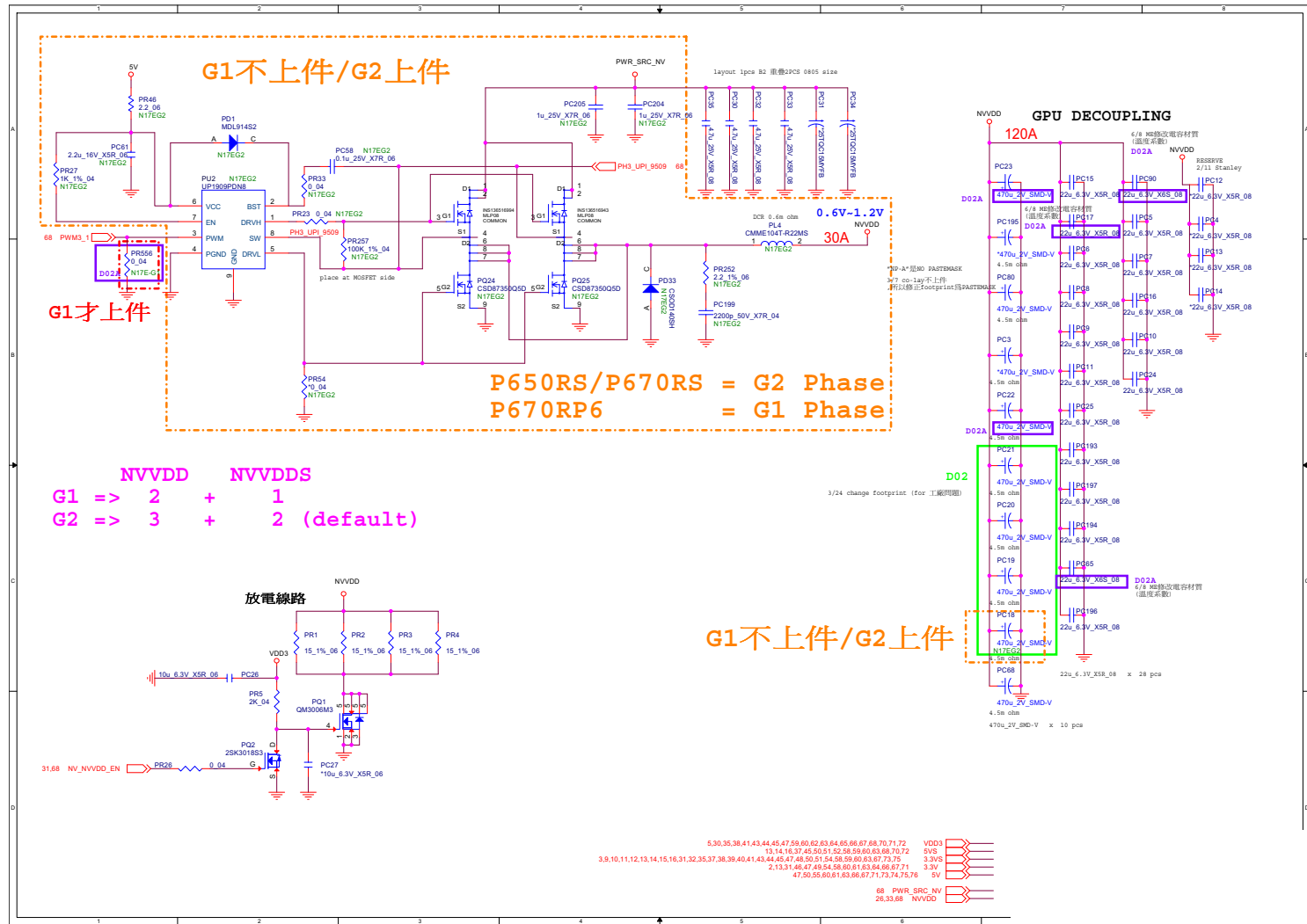
Sheet 68 of 91
NVDD Phase 1 & 2

B.Schematic Diagrams

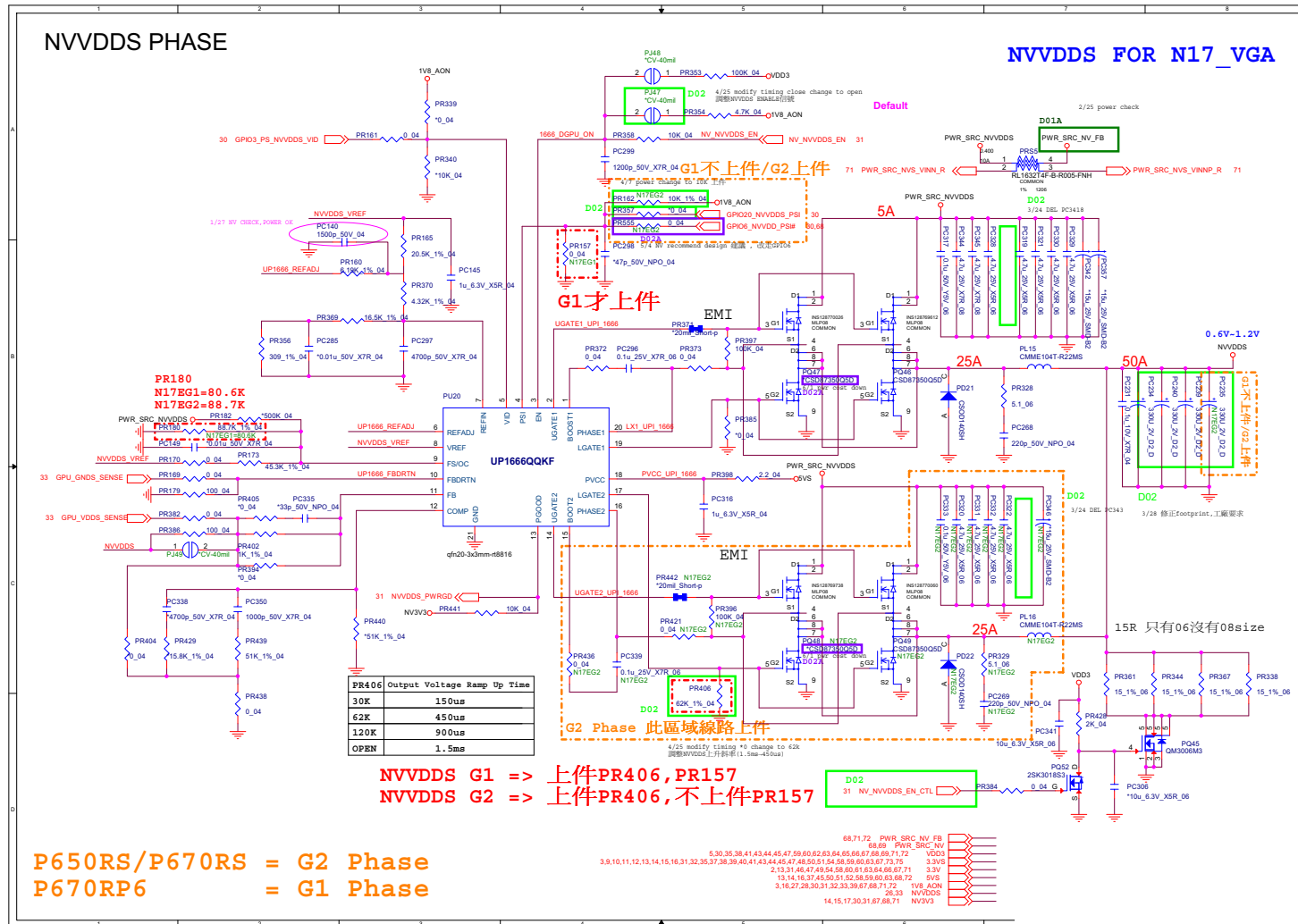
Schematic Diagrams

NVDD Phase 3~4

Sheet 69 of 91
NVDD Phase 3~4



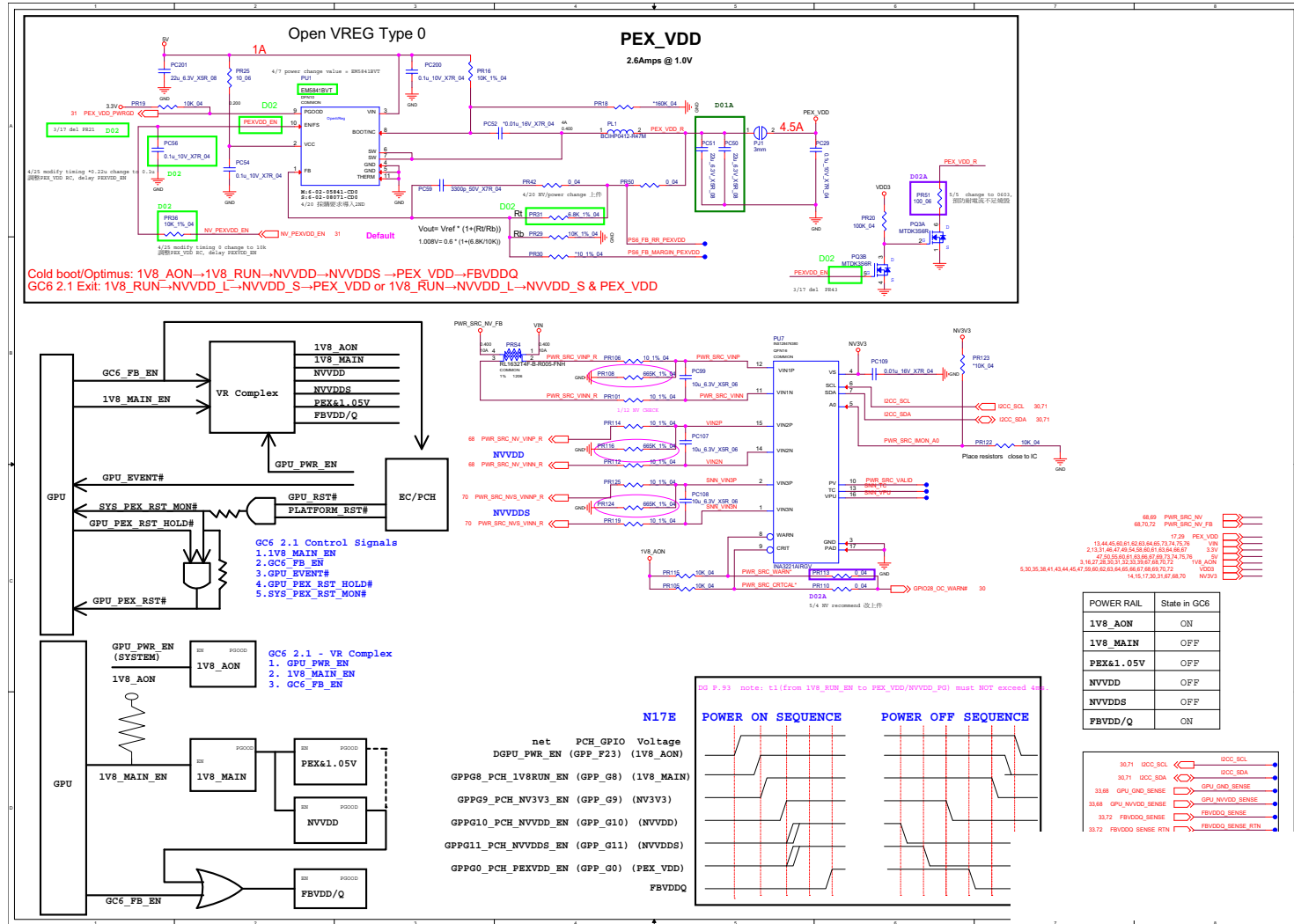
NVDDDS



Sheet 70 of 91
NVDDDS

B.Schematic Diagrams

PEX_VDD

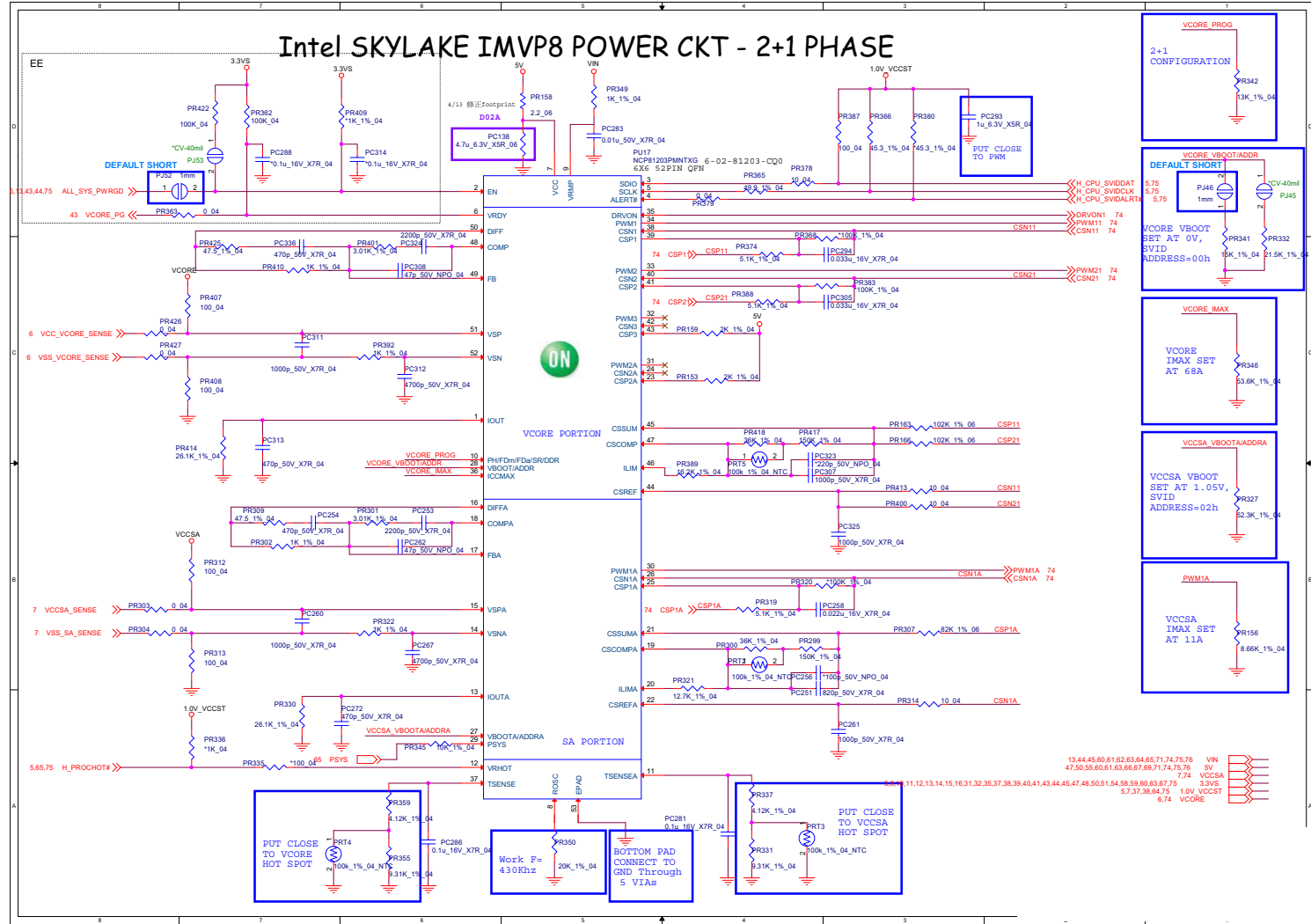


B.Schematic Diagrams

Sheet 71 of 91
PEX_VDD

Schematic Diagrams

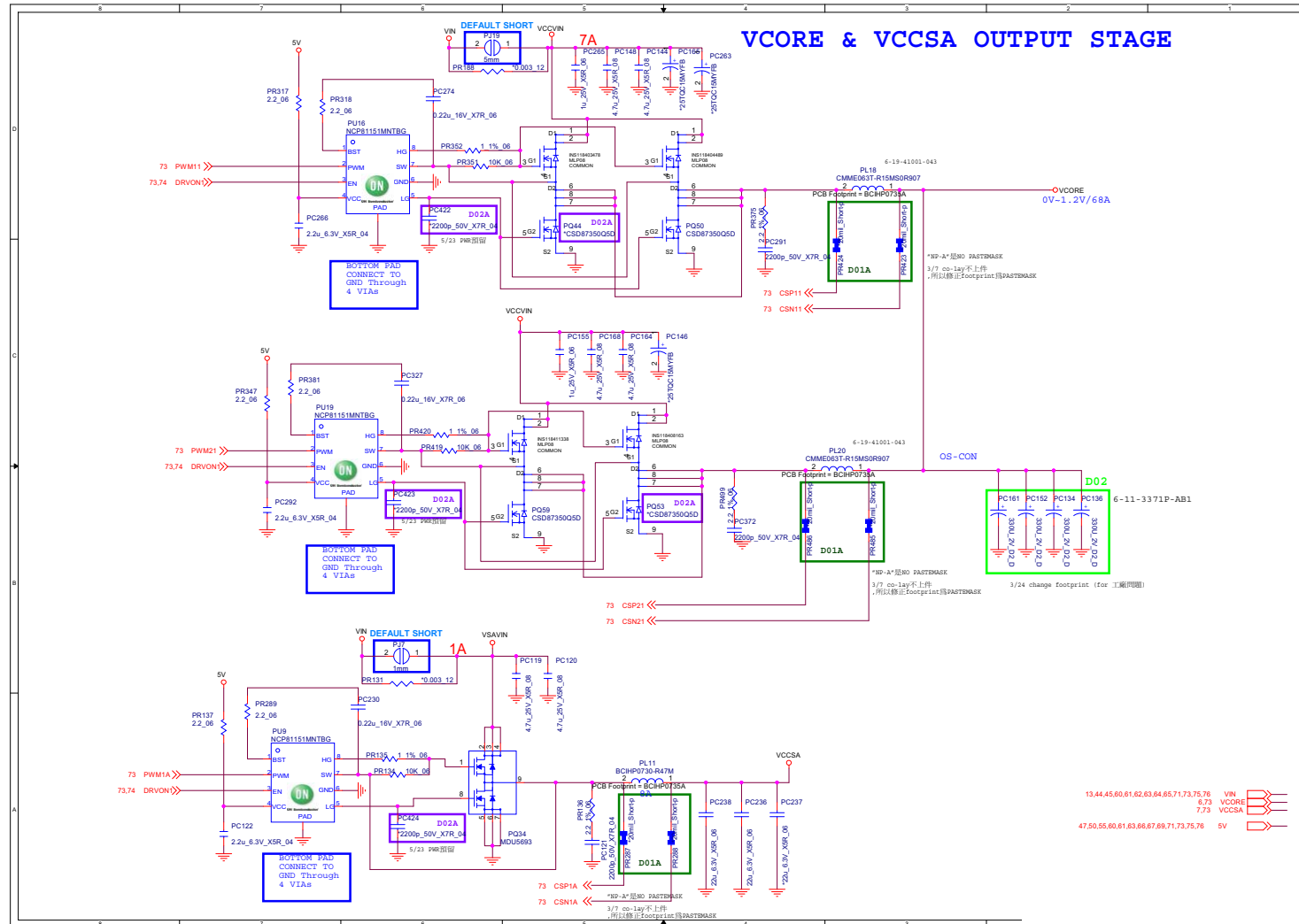
VCC_Core & VCCSA



Sheet 73 of 91
VCC_Core &
VCCSA

B.Schematic Diagrams

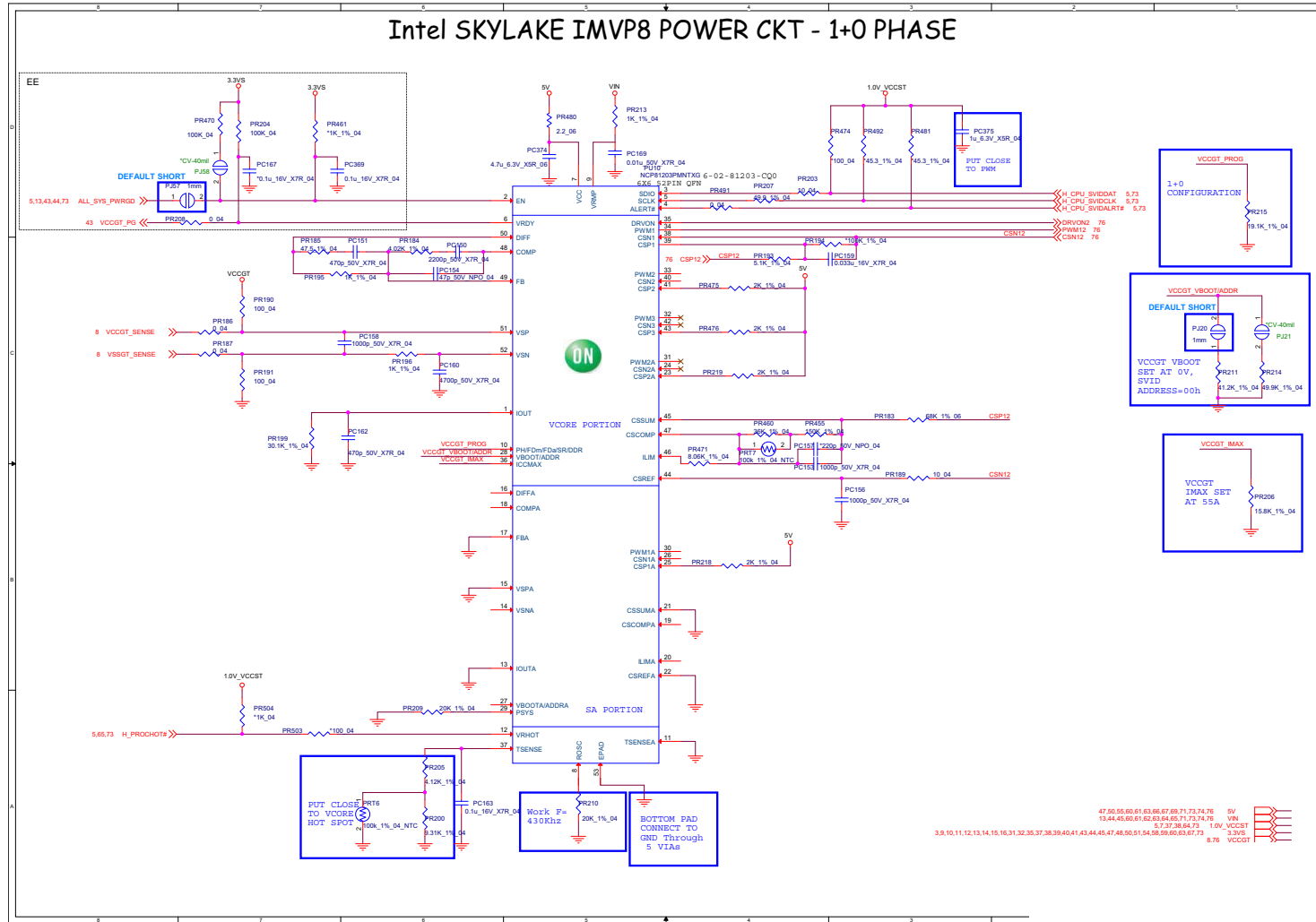
VCore Output Stage



Sheet 74 of 91
 VCore Output Stage

B.Schematic Diagrams

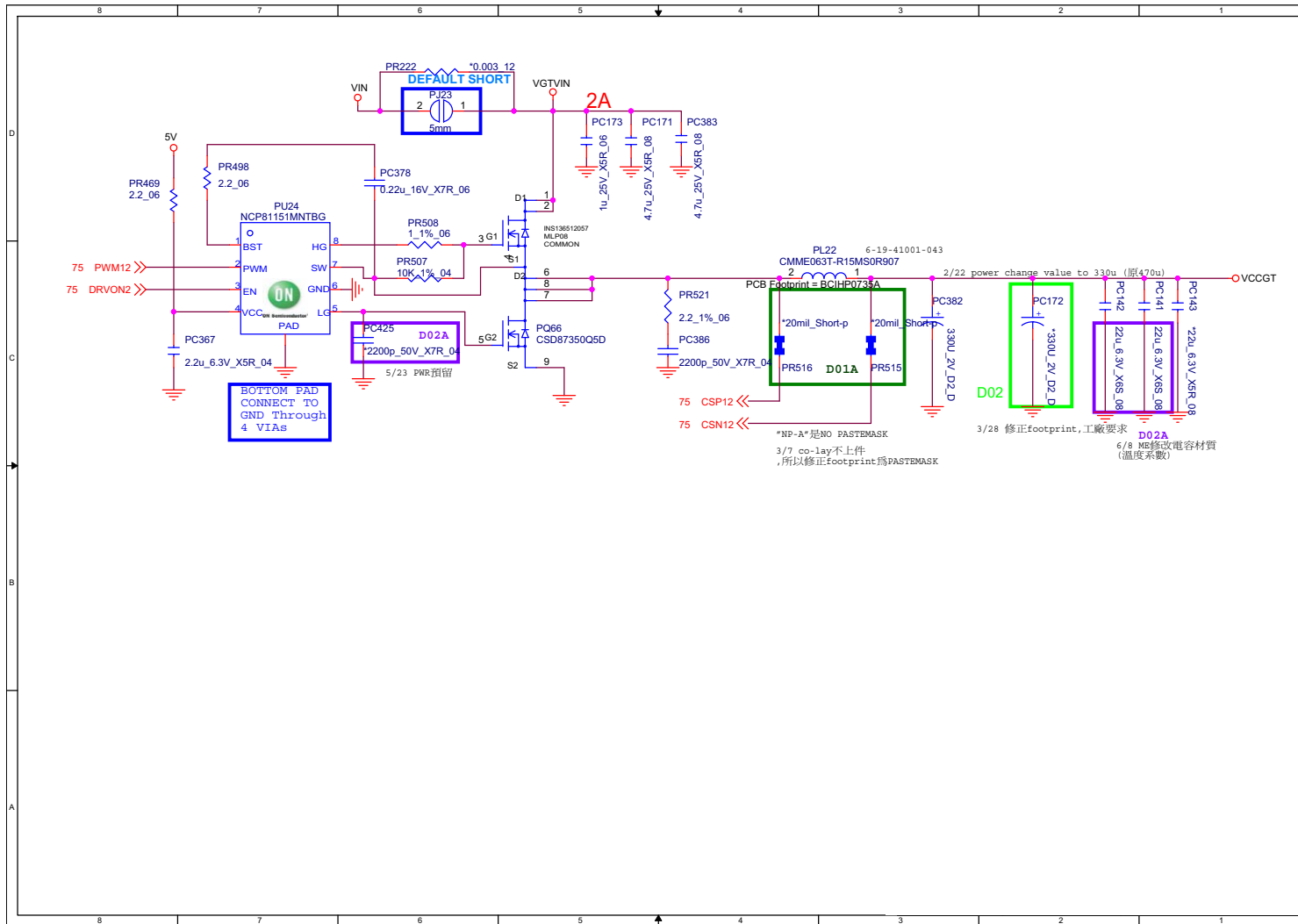
VCCGT



Sheet 75 of 91
VCCGT

B.Schematic Diagrams

VCCGT Output Stage

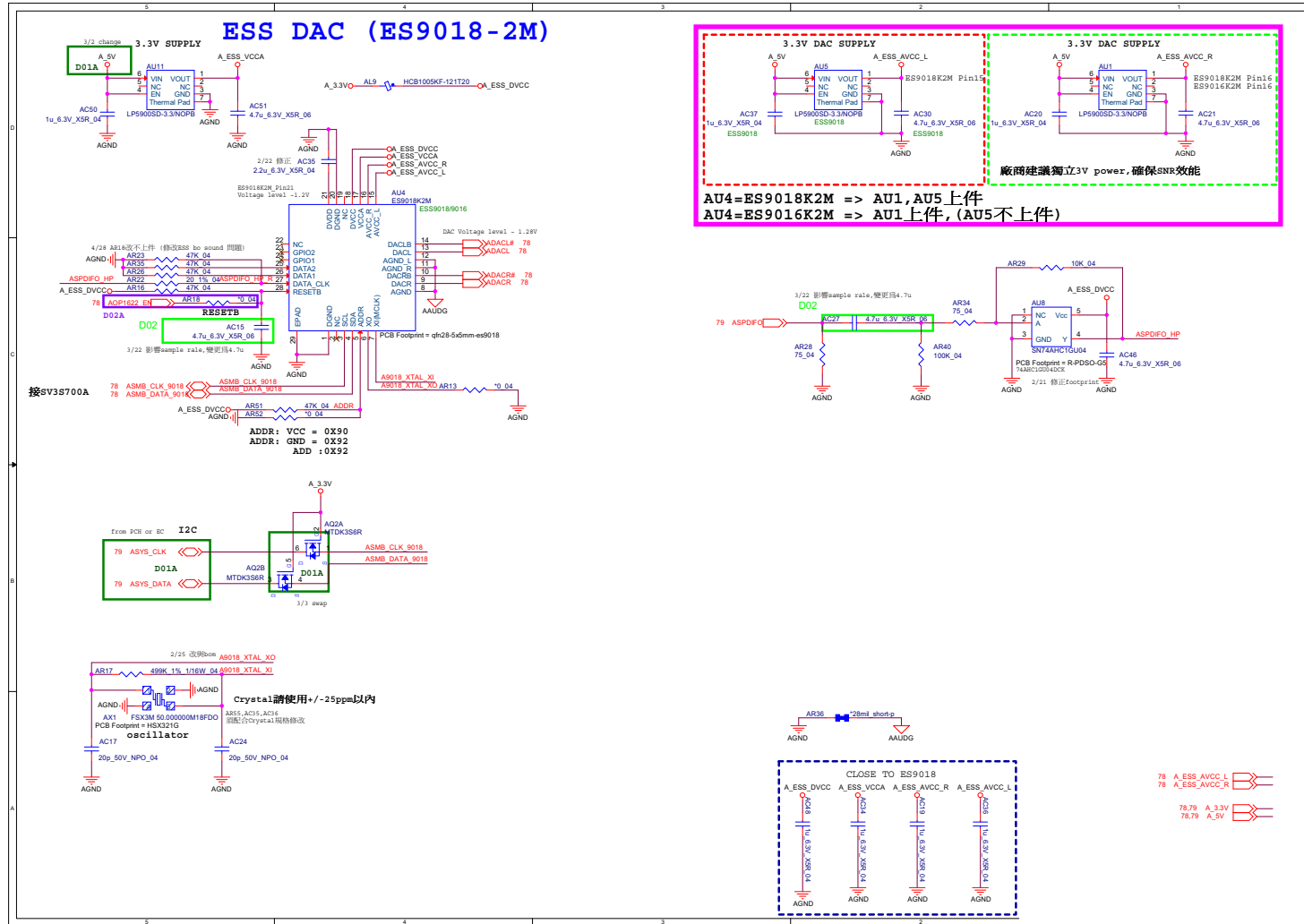


Sheet 76 of 91
 VCCGT Output Stage

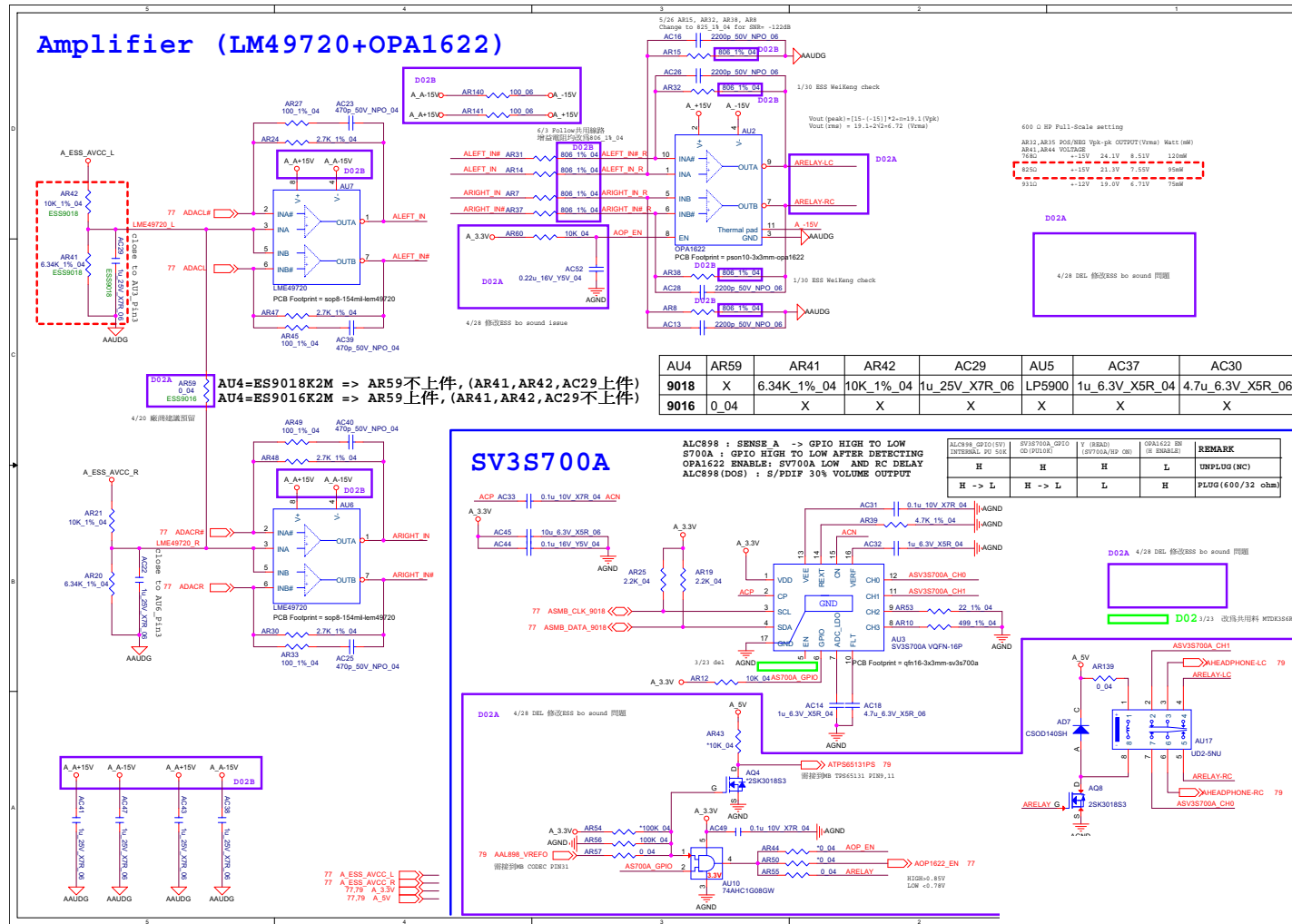
B.Schematic Diagrams

Audio Board P65_ESS_A 1/3

Sheet 77 of 91
Audio Board
P65_ESS_A 1/3



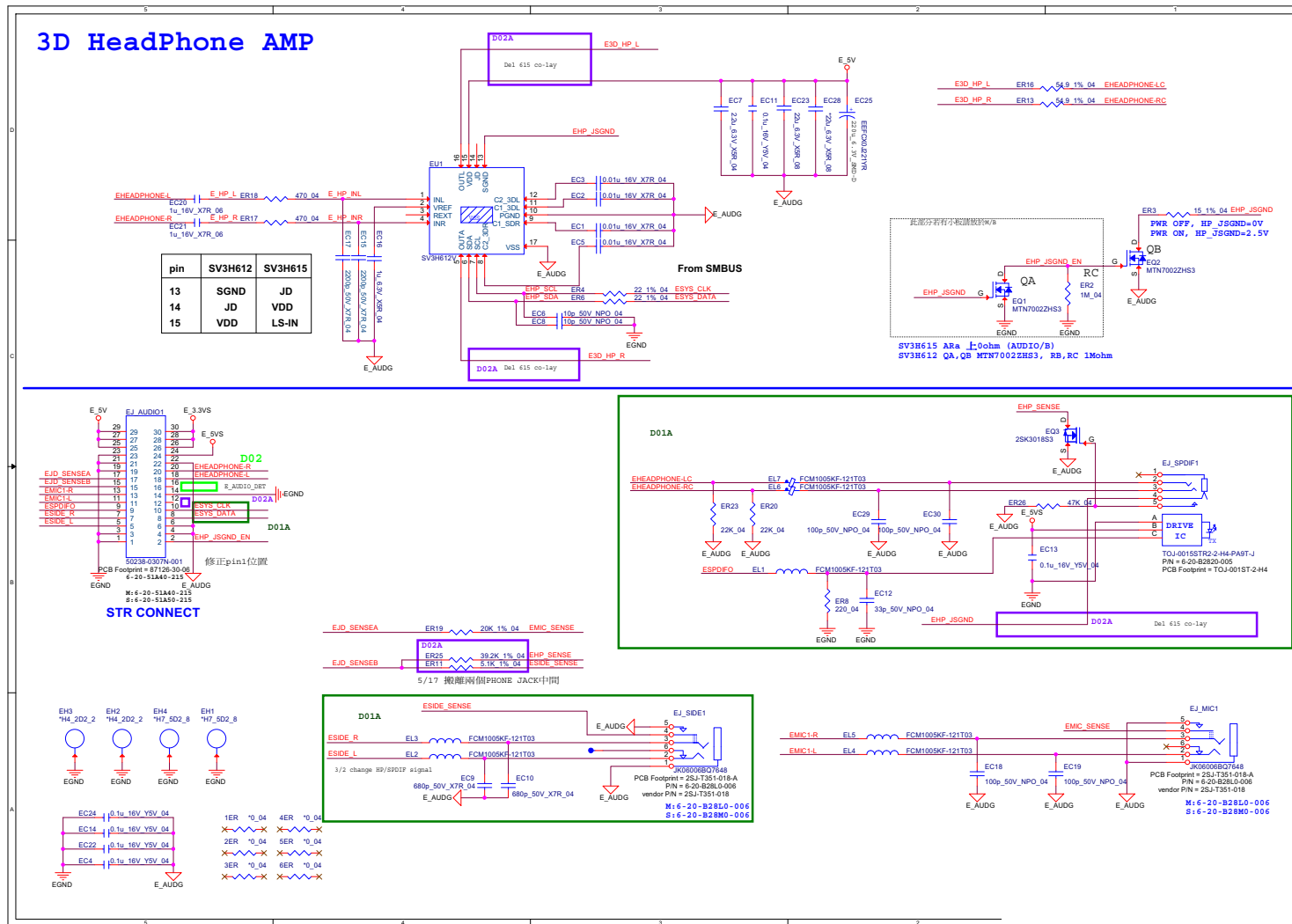
Audio Board P65_ESS_A 2/3



B.Schematic Diagrams

Sheet 78 of 91
Audio Board
P65_ESS_A 2/3

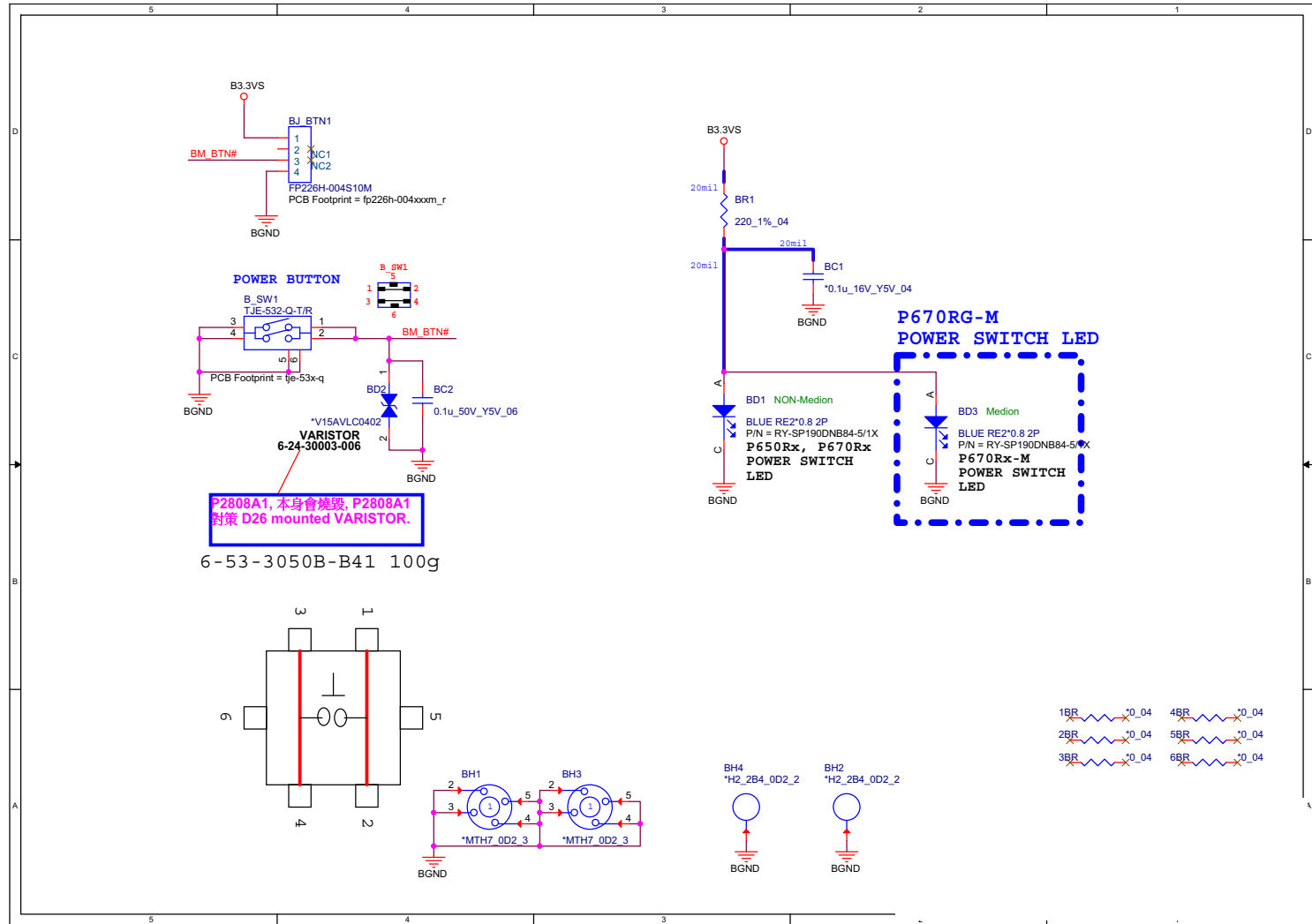
Audio Board P67_3DAMP_E



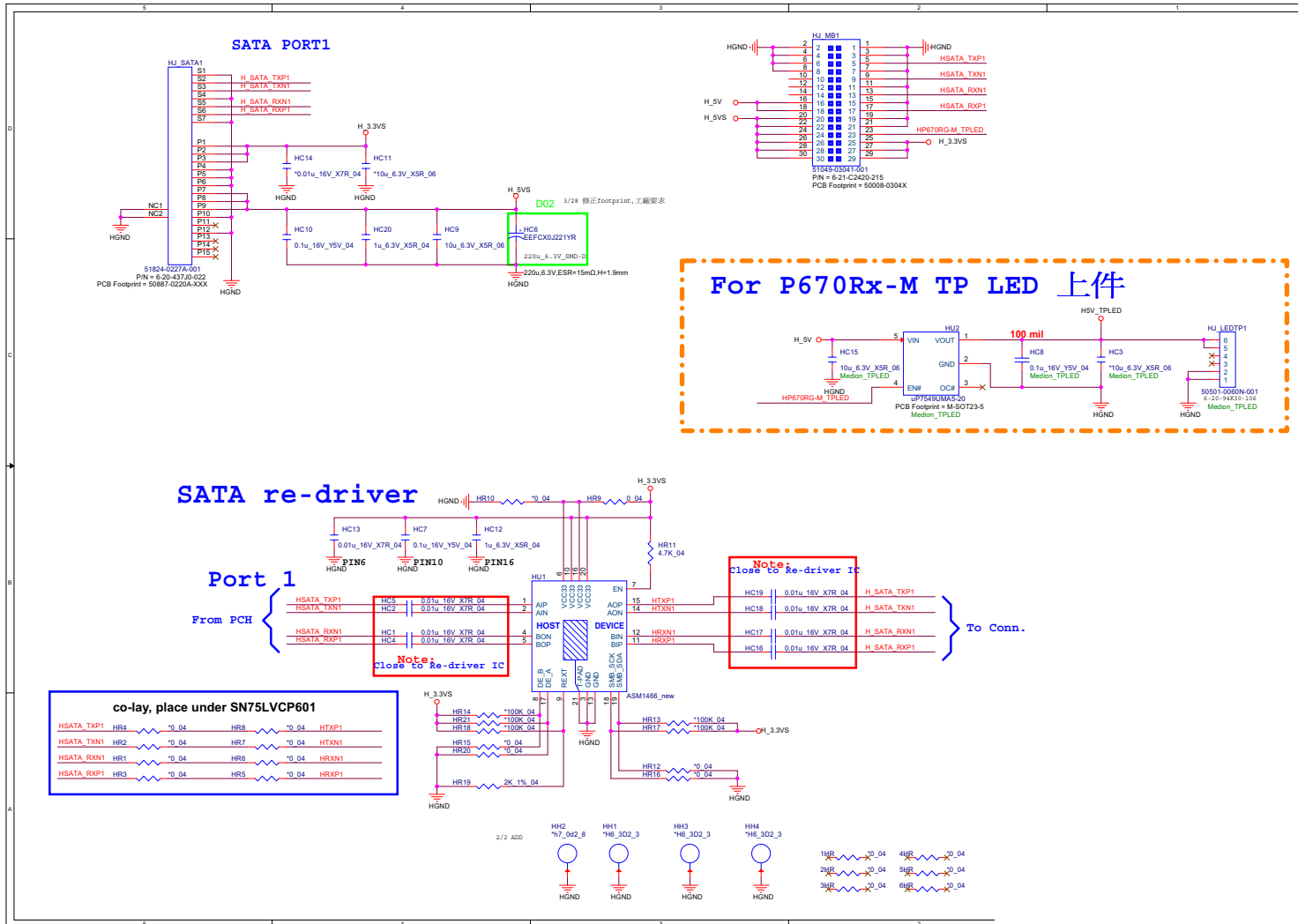
Sheet 80 of 91
Audio Board
P67_3DAMP_E

P650RS Power Board

Sheet 81 of 91
P650RS Power Board



P650RS HDD Board

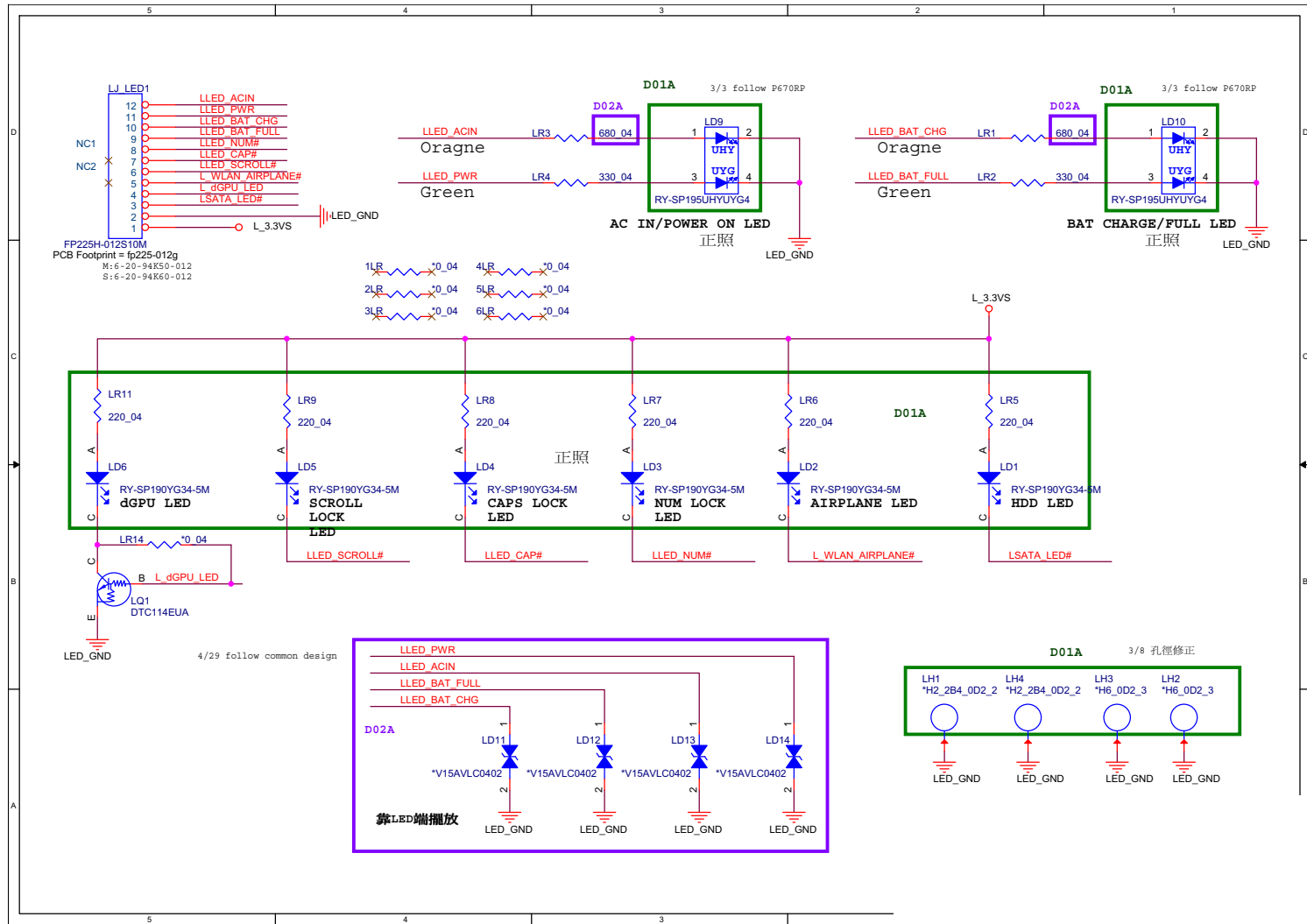


Sheet 82 of 91
 P650RS HDD Board

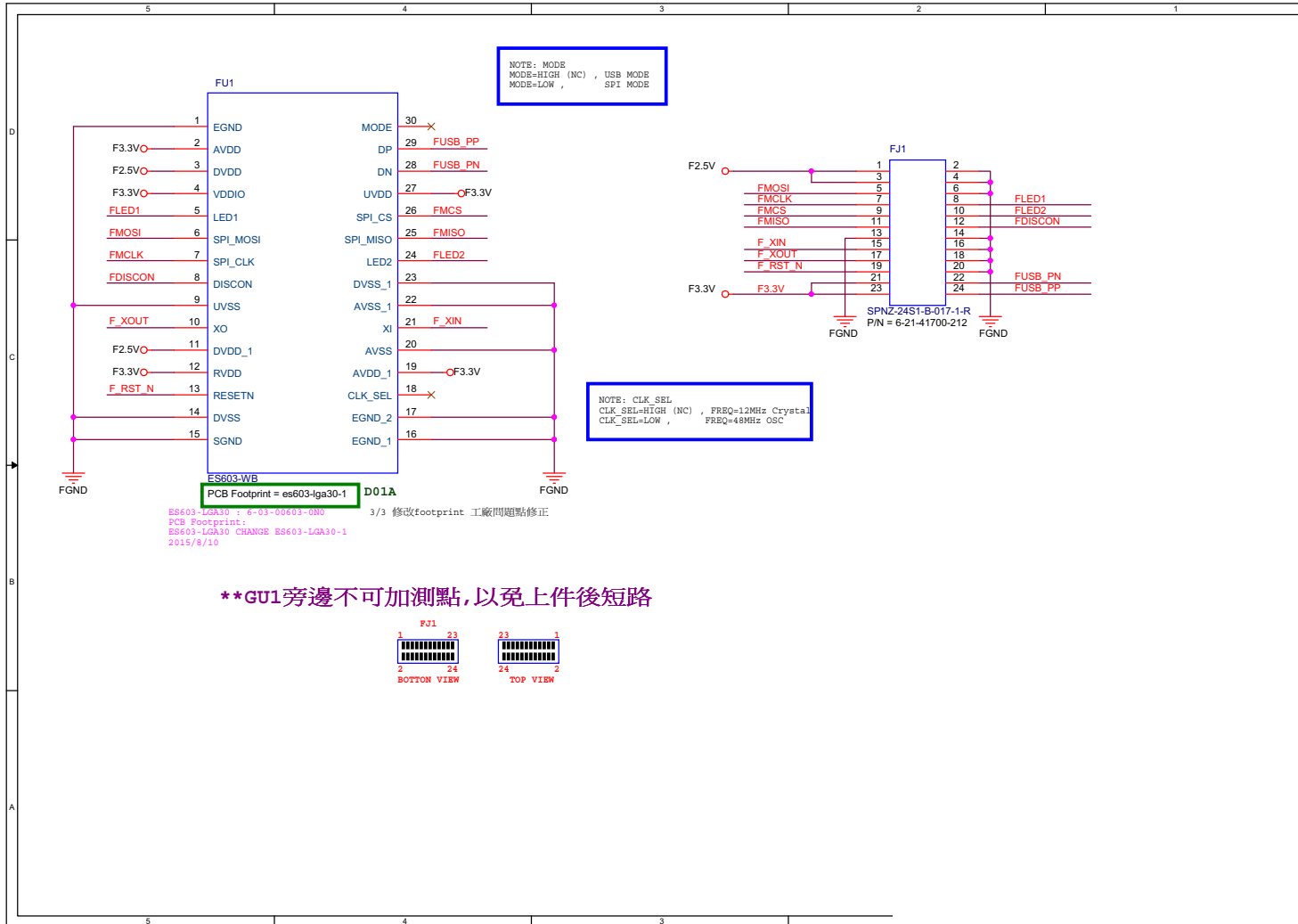
B.Schematic Diagrams

P650RS LED Board

Sheet 83 of 91
P650RS LED Board



P650RS FP Board

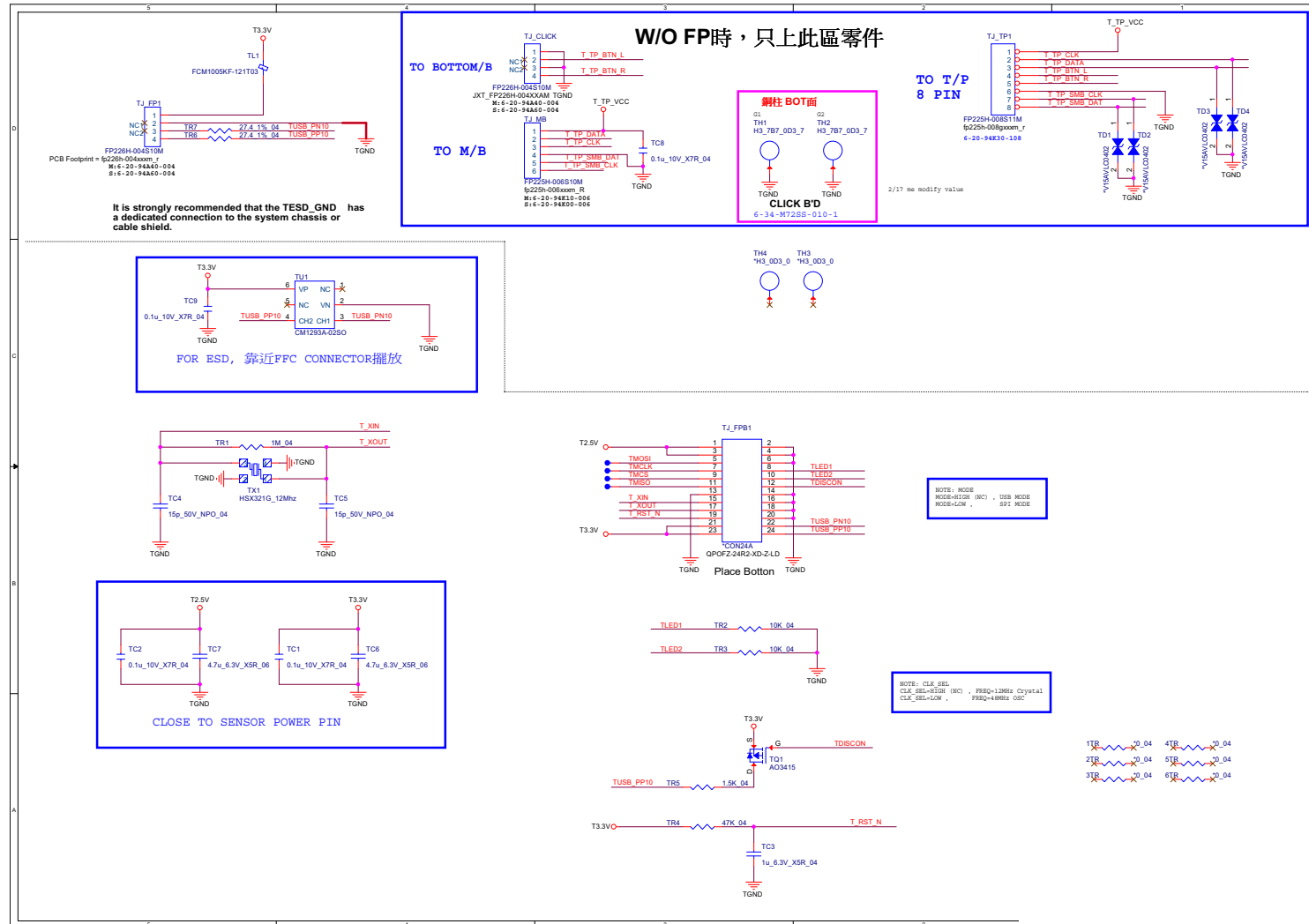


Sheet 84 of 91
P650RS FP Board

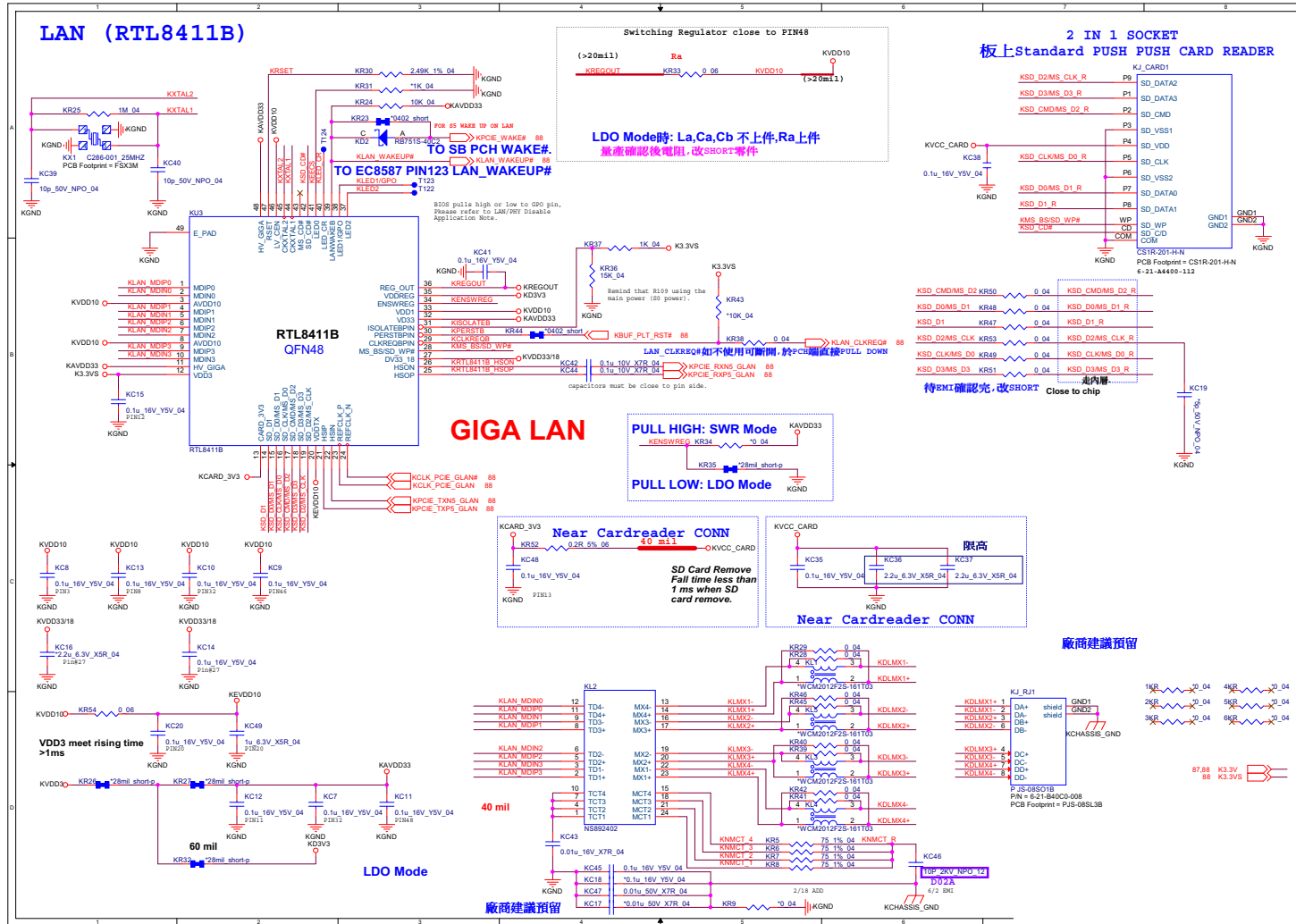
B.Schematic Diagrams

P650RS Click Board

Sheet 85 of 91
P650RS Click
Board



P650RS USB Board 1/3

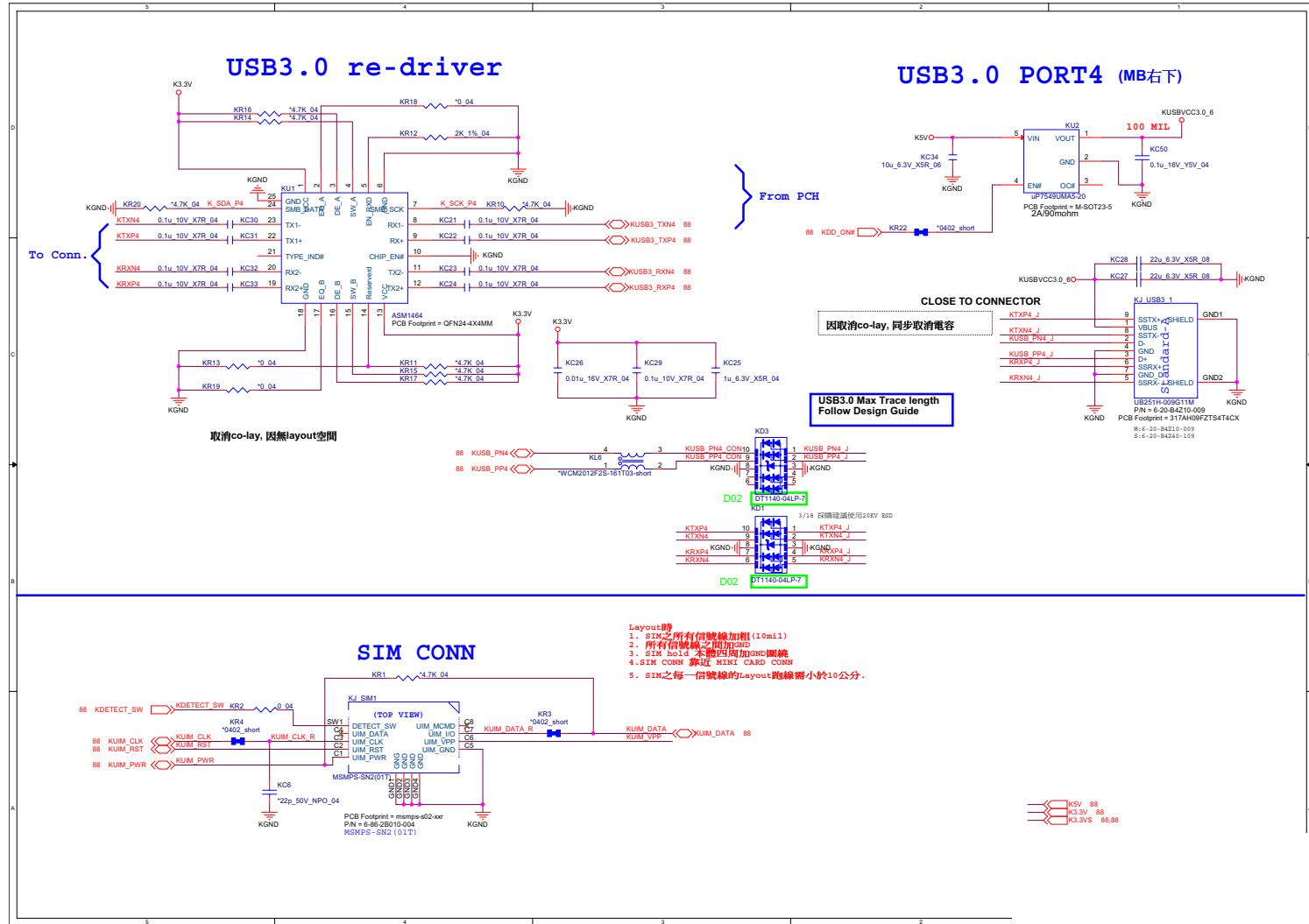


Sheet 86 of 91
P650RS USB Board
1/3

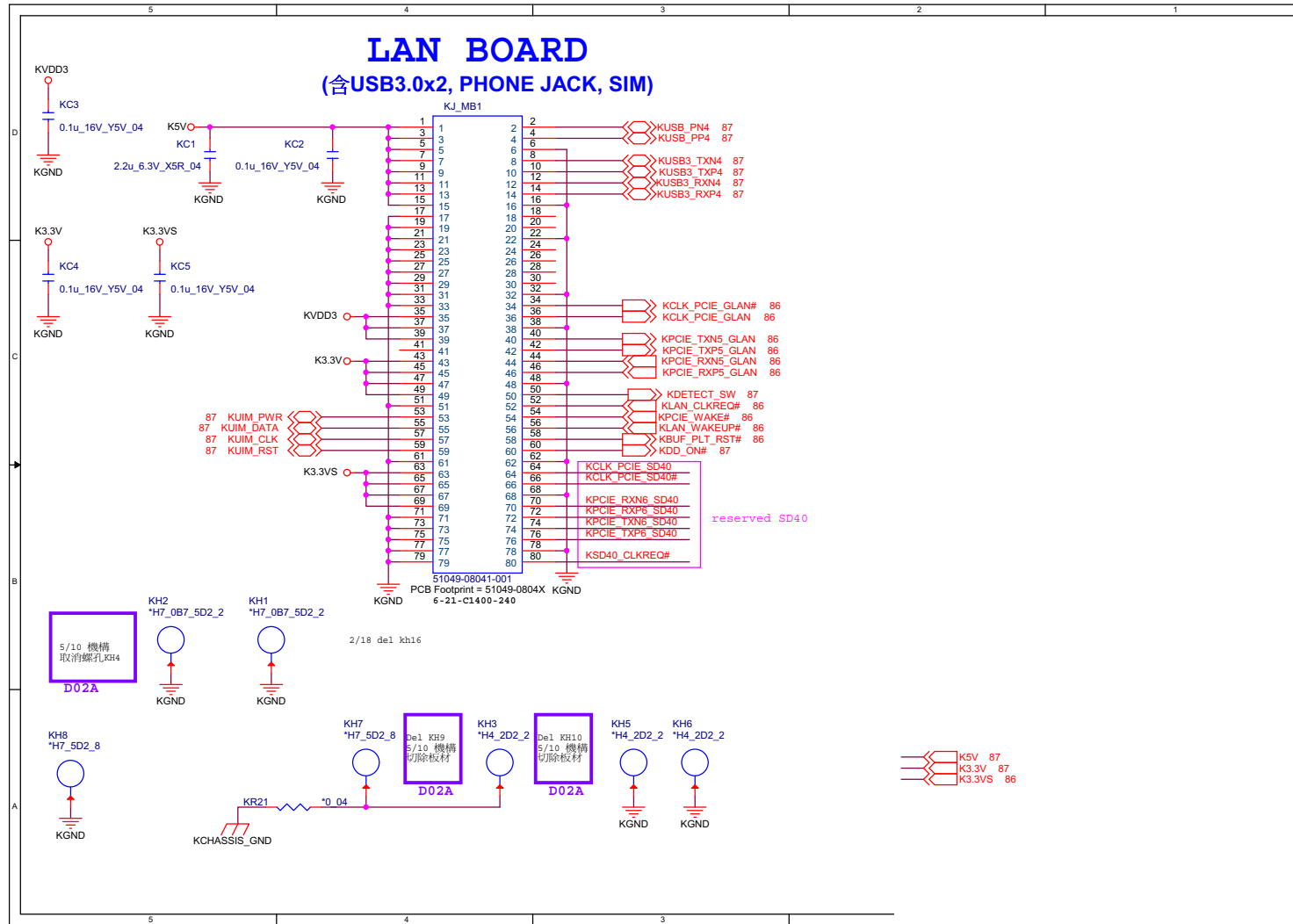
B.Schematic Diagrams

P650RS USB Board 2/3

Sheet 87 of 91
P650RS USB Board
2/3



P650RS USB Board 3/3

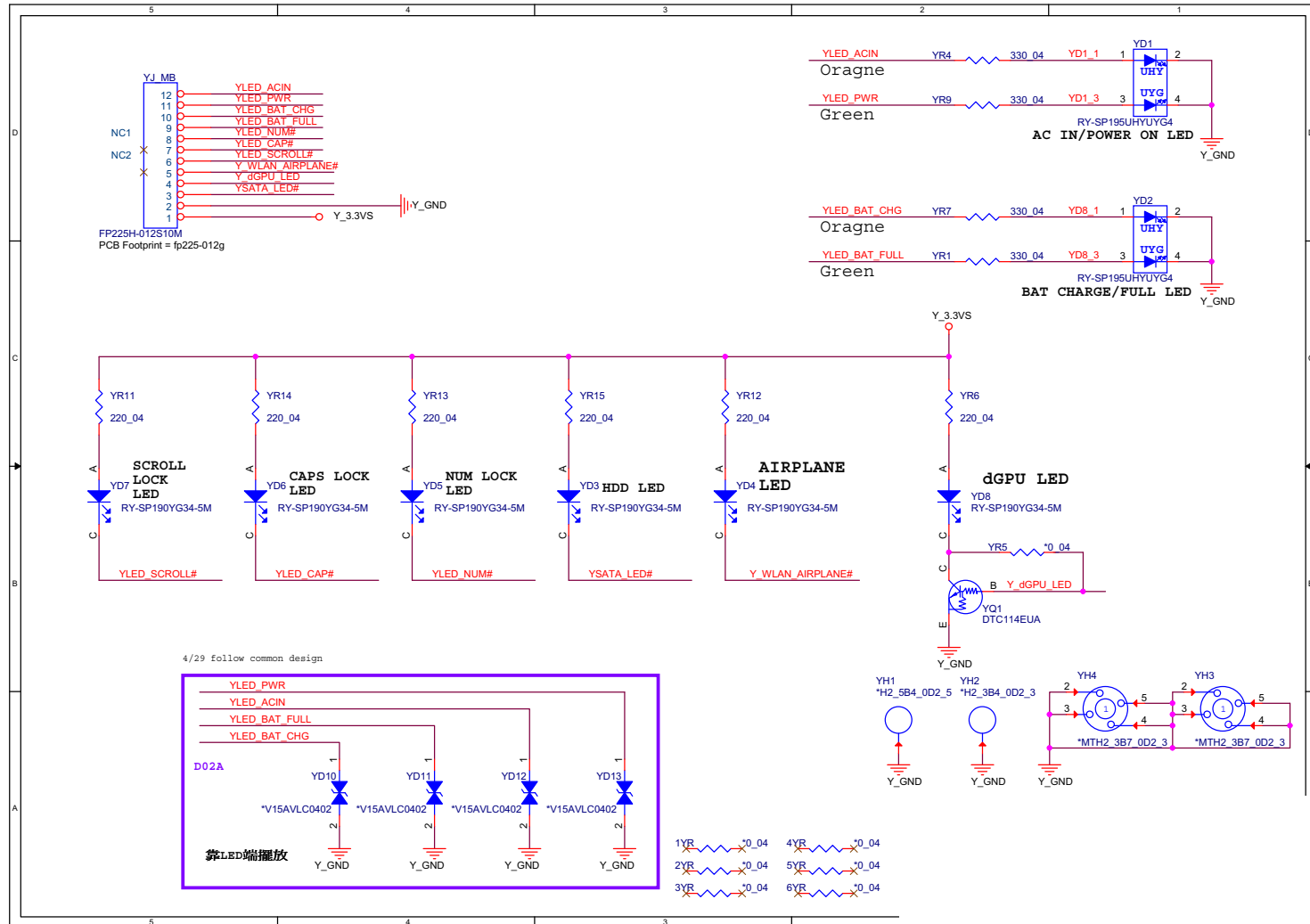


Sheet 88 of 91
P650RS USB Board
3/3

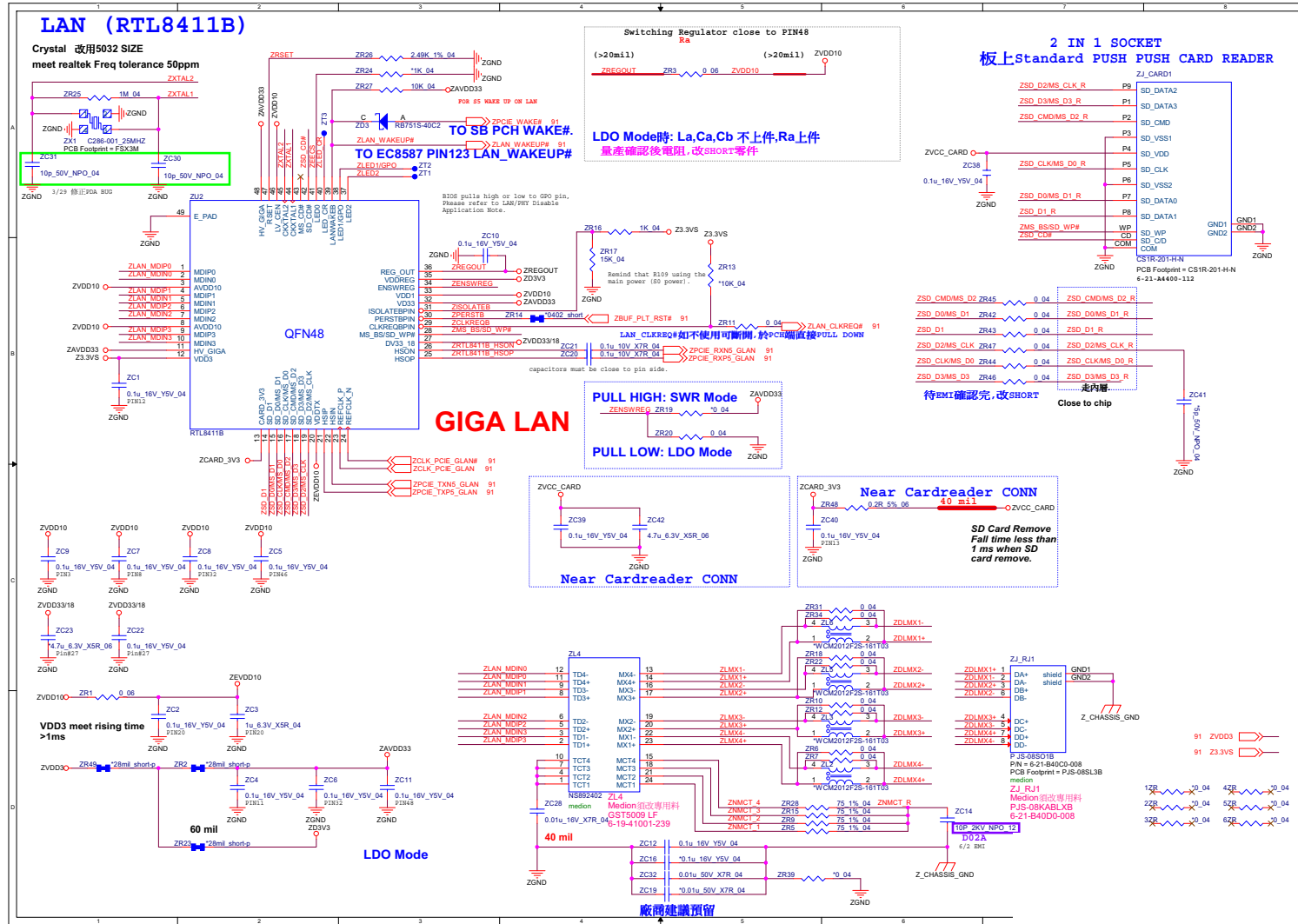
B.Schematic Diagrams

P670RS LED Board

Sheet 89 of 91
P670RS LED Board



P670RS USB Board 1/2



Sheet 90 of 91
P670RS USB Board
1/2

P670RS USB Board 2/2

Sheet 91 of 91
P670RS USB Board
2/2

