

SERVICE MANUAL

W940AU / W941AU / W945AUQ

notebook



Notebook Computer

W940AU / W941AU / W945AUQ

Service Manual

Notice

The company reserves the right to revise this publication or to change its contents without notice. Information contained herein is for reference only and does not constitute a commitment on the part of the manufacturer or any subsequent vendor. They assume no responsibility or liability for any errors or inaccuracies that may appear in this publication nor are they in anyway responsible for any loss or damage resulting from the use (or misuse) of this publication.

This publication and any accompanying software may not, in whole or in part, be reproduced, translated, transmitted or reduced to any machine readable form without prior consent from the vendor, manufacturer or creators of this publication, except for copies kept by the user for backup purposes.

Brand and product names mentioned in this publication may or may not be copyrights and/or registered trademarks of their respective companies. They are mentioned for identification purposes only and are not intended as an endorsement of that product or its manufacturer.

Version 1.0
February 2015

Trademarks

Intel, Pentium, Celeron and Intel Core are trademarks of Intel Corporation.

Windows[®] is a registered trademark of Microsoft Corporation.

Other brand and product names are trademarks and /or registered trademarks of their respective companies.

About this Manual

This manual is intended for service personnel who have completed sufficient training to undertake the maintenance and inspection of personal computers.

It is organized to allow you to look up basic information for servicing and/or upgrading components of the **W940AU / W941AU / W945AUQ** series notebook PC.

The following information is included:

Chapter 1, Introduction, provides general information about the location of system elements and their specifications.

Chapter 2, Disassembly, provides step-by-step instructions for disassembling parts and subsystems and how to upgrade elements of the system.

Appendix A, Part Lists

Appendix B, Schematic Diagrams

Appendix C, Updating the FLASH ROM BIOS

IMPORTANT SAFETY INSTRUCTIONS

Follow basic safety precautions, including those listed below, to reduce the risk of fire, electric shock and injury to persons when using any electrical equipment:

1. Do not use this product near water, for example near a bath tub, wash bowl, kitchen sink or laundry tub, in a wet basement or near a swimming pool.
2. Avoid using a telephone (other than a cordless type) during an electrical storm. There may be a remote risk of electrical shock from lightning.
3. Do not use the telephone to report a gas leak in the vicinity of the leak.
4. Use only the power cord and batteries indicated in this manual. Do not dispose of batteries in a fire. They may explode. Check with local codes for possible special disposal instructions.
5. This product is intended to be supplied by a Listed Power Unit:
AC Input of 100 - 240V, 50 - 60Hz, DC Output of 19V, 2.1A (**40** Watts) minimum AC/DC Adapter.

FCC Statement

This device complies with Part 15 of the FCC Rules. Operation is subject to the following two conditions:

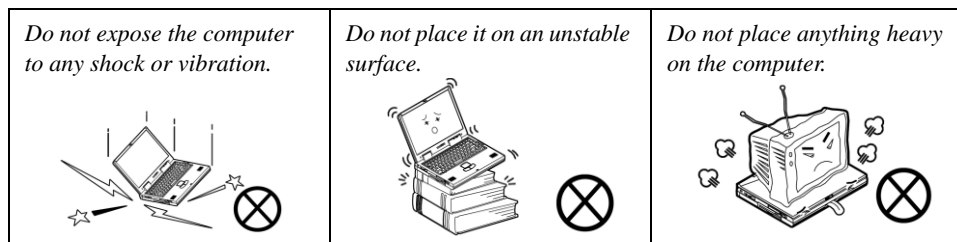
This device may not cause harmful interference.

This device must accept any interference received, including interference that may cause undesired operation.

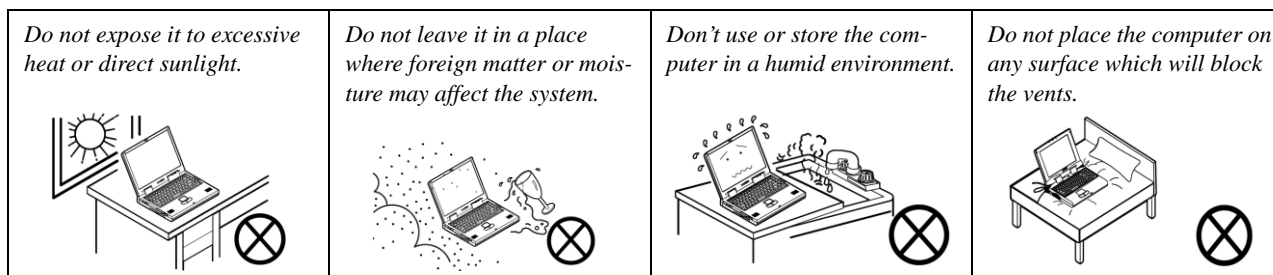
Instructions for Care and Operation

The notebook computer is quite rugged, but it can be damaged. To prevent this, follow these suggestions:

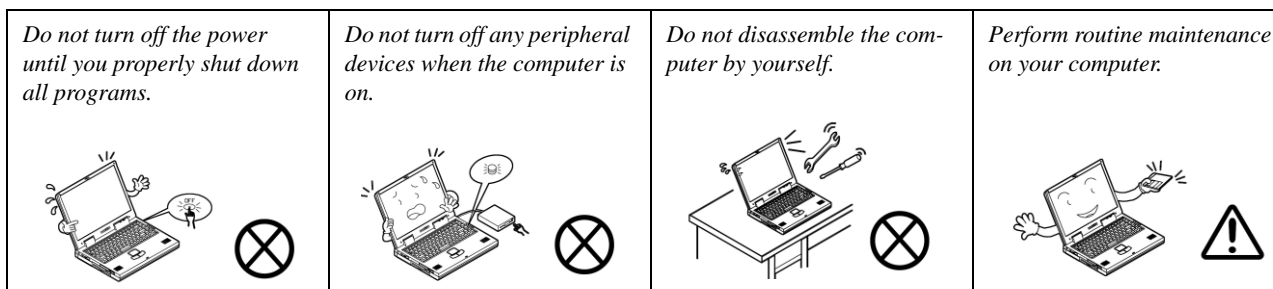
1. **Don't drop it, or expose it to shock.** If the computer falls, the case and the components could be damaged.



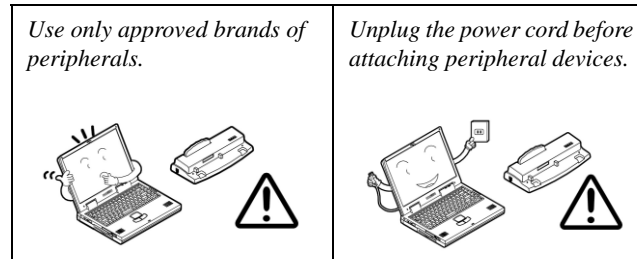
2. **Keep it dry, and don't overheat it.** Keep the computer and power supply away from any kind of heating element. This is an electrical appliance. If water or any other liquid gets into it, the computer could be badly damaged.



3. **Follow the proper working procedures for the computer.** Shut the computer down properly and don't forget to save your work. Remember to periodically save your data as data may be lost if the battery is depleted.



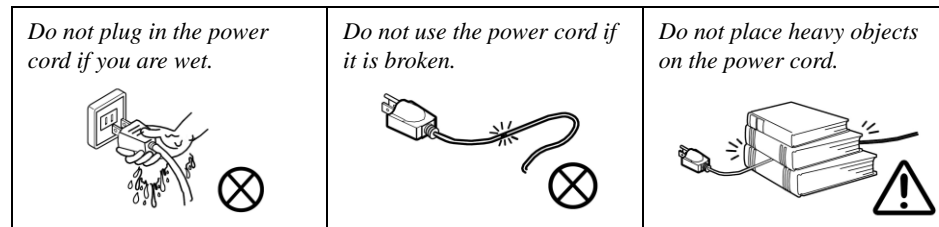
4. **Avoid interference.** Keep the computer away from high capacity transformers, electric motors, and other strong magnetic fields. These can hinder proper performance and damage your data.
5. **Take care when using peripheral devices.**



Power Safety

The computer has specific power requirements:

- Only use a power adapter approved for use with this computer.
- Your AC adapter may be designed for international travel but it still requires a steady, uninterrupted power supply. If you are unsure of your local power specifications, consult your service representative or local power company.
- The power adapter may have either a 2-prong or a 3-prong grounded plug. The third prong is an important safety feature; do not defeat its purpose. If you do not have access to a compatible outlet, have a qualified electrician install one.
- When you want to unplug the power cord, be sure to disconnect it by the plug head, not by its wire.
- Make sure the socket and any extension cord(s) you use can support the total current load of all the connected devices.
- Before cleaning the computer, make sure it is disconnected from any external power supplies.



Power Safety Warning

Before you undertake any upgrade procedures, make sure that you have turned off the power, and disconnected all peripherals and cables (including telephone lines and power cord). It is advisable to also remove your battery in order to prevent accidentally turning the machine on.

Battery Precautions

- Only use batteries designed for this computer. The wrong battery type may explode, leak or damage the computer.
- Do not continue to use a battery that has been dropped, or that appears damaged (e.g. bent or twisted) in any way. Even if the computer continues to work with a damaged battery in place, it may cause circuit damage, which may possibly result in fire.
- Recharge the batteries using the notebook's system. Incorrect recharging may make the battery explode.
- Do not try to repair a battery pack. Refer any battery pack repair or replacement to your service representative or qualified service personnel.
- Keep children away from, and promptly dispose of a damaged battery. Always dispose of batteries carefully. Batteries may explode or leak if exposed to fire, or improperly handled or discarded.
- Keep the battery away from metal appliances.
- Affix tape to the battery contacts before disposing of the battery.
- Do not touch the battery contacts with your hands or metal objects.

Battery Guidelines

The following can also apply to any backup batteries you may have.

- If you do not use the battery for an extended period, then remove the battery from the computer for storage.
- Before removing the battery for storage charge it to 60% - 70%.
- Check stored batteries at least every 3 months and charge them to 60% - 70%.




Battery Disposal

The product that you have purchased contains a rechargeable battery. The battery is recyclable. At the end of its useful life, under various state and local laws, it may be illegal to dispose of this battery into the municipal waste stream. Check with your local solid waste officials for details in your area for recycling options or proper disposal.

Caution

Danger of explosion if battery is incorrectly replaced. Replace only with the same or equivalent type recommended by the manufacturer. Discard used battery according to the manufacturer's instructions.

Battery Level

Click the battery icon  in the taskbar to see the current battery level and charge status. A battery that drops below a level of 10% will not allow the computer to boot up. Make sure that any battery that drops below 10% is recharged within one week.

Related Documents

You may also need to consult the following manual for additional information:

User's Manual on CD/DVD

This describes the notebook PC's features and the procedures for operating the computer and its ROM-based setup program. It also describes the installation and operation of the utility programs provided with the notebook PC.

System Startup

1. Remove all packing materials.
2. Place the computer on a stable surface.
3. Insert the battery and make sure it is locked in position.
4. Securely attach any peripherals you want to use with the computer (e.g. keyboard and mouse) to their ports.
5. Attach the AC/DC adapter to the DC-In jack on the left of the computer, then plug the AC power cord into an outlet, and connect the AC power cord to the AC/DC adapter.
6. Use one hand to raise the lid/LCD to a comfortable viewing angle (**do not exceed 130 degrees**); use the other hand (as illustrated in Figure 1) to support the base of the computer (**Note: Never** lift the computer by the lid/LCD).
7. Press the power button to turn the computer "on".




Figure 1
Opening the Lid/LCD/
Computer with AC/DC
Adapter Plugged-In




Shut Down

Note that you should always shut your computer down by choosing the **Shut down** command in **Windows** (see below). This will help prevent hard disk or system problems.

Click the icon in the  **Start Screen** and choose **Shut down** from the menu.

Or

Right-click the **Start button**  at the bottom of the **Start Screen** or the **Desktop** and choose **Shut down or sign out > Shut down** from the context menu.

Contents

Introduction1-1

Overview	1-1
Specifications	1-2
External Locator - Top View with LCD Panel Open	1-4
External Locator - Front & Right Side Views	1-5
External Locator - Left Side & Rear View	1-6
External Locator - Bottom View	1-7
Mainboard Overview - Top (Key Parts)	1-8
Mainboard Overview - Bottom (Key Parts)	1-9
Mainboard Overview - Top (Connectors)	1-10
Mainboard Overview - Bottom (Connectors)	1-11

Disassembly2-1

Overview	2-1
Maintenance Tools	2-2
Connections	2-2
Maintenance Precautions	2-3
Disassembly Steps	2-4
Removing the Battery	2-5
Installing the 3G USIM Card	2-7
Removing the 3G USIM Card	2-7
Removing the Optical (CD/DVD) Device	2-8
Removing the Hard Disk Drive	2-10
Removing the System Memory (RAM)	2-12
Removing the Keyboard	2-14
Removing the Wireless LAN Module	2-15
Wireless LAN, Combo, 3G & LTE Module Cables	2-16
Removing the 3G Module	2-17
Installing and Removing the mSATA Module	2-18

Part ListsA-1

Part List Illustration Location	A-2
Top - Positivo (W940AU)	A-3
Top - Positivo (W941AU)	A-4
Top - Stand (W940AU)	A-5
Top - Stand (W941AU)	A-6
Top (W945AUQ)	A-7
LCD (W940AU)	A-8
LCD (W941AU)	A-9
LCD (W945AUQ)	A-10
Bottom - Dummy (W940AU/W941AU)	A-11
Bottom - ODD (W940AU/W941AU)	A-12
Bottom (W945AUQ)	A-13
Combo	A-14
DVD Dual	A-15
HDD	A-16

Schematic Diagrams.....B-1

System Block Diagram	B-2
Processor 1/7	B-3
Processor 2/7	B-4
Processor 3/7	B-5
Processor 4/7	B-6
Processor 5/7	B-7
Processor 6/7	B-8
Processor 7/7	B-9
Power 1	B-10
Power 2	B-11
Power VSS	B-12
RSVD	B-13
DDR3 SO-DIMM A	B-14
DDR3 SO-DIMM B	B-15

Preface


Panel, Inverter	B-16
VGA PS8613	B-17
LVDS PS8625	B-18
USB Hub AU6259-JGF	B-19
Card Reader & LAN RTL8411B	B-20
HDMI, RJ45, Fan	B-21
WLAN, 3G, MSATA	B-22
Audio Codec ALC269	B-23
USB 3.0, G-Sensor, TPM	B-24
HDD, CCD, TPM, Power Con	B-25
CCD, MIC, LID, I/O Connector	B-26
HDD, ODD, LED	B-27
System Power	B-28
VDD3, VDD5	B-29
ALC269Q, VT1802S	B-30
1.05V Series	B-31
VCore	B-32
Charger, DC In	B-33
Audio Board	B-34
Audio Board	B-35
LID Switch Board	B-36
Power Switch Board	B-37
ODD Board	B-38
Power On Sequence	B-39
Updating the FLASH ROM BIOS.....	C-1
Download the BIOS	C-1
Unzip the downloaded files to a bootable CD/DVD or USB Flash drive	C-1
Set the computer to boot from the external drive	C-1
Use the flash tools to update the BIOS	C-2
Restart the computer (booting from the HDD)	C-2

Chapter 1: Introduction

Overview

This manual covers the information you need to service or upgrade the **W940AU / W941AU / W945AUQ** series notebook computer. Information about operating the computer (e.g. getting started, and the *Setup* utility) is in the *User's Manual*. Information about drivers (e.g. VGA & audio) is also found in the *User's Manual*. The manual is shipped with the computer.

Operating systems (e.g. *Windows 8.1*, etc.) have their own manuals as do application softwares (e.g. word processing and database programs). If you have questions about those programs, you should consult those manuals.

The **W940AU / W941AU / W945AUQ** series notebook is designed to be upgradeable. See *Disassembly on page 2 - 1* for a detailed description of the upgrade procedures for each specific component. Please take note of the warning and safety information indicated by the “” symbol.

The balance of this chapter reviews the computer's technical specifications and features.

Specifications



Latest Specification Information

The specifications listed here are correct at the time of sending them to the press. Certain items (particularly processor types/speeds) may be changed, delayed or updated due to the manufacturer's release schedule. Check with your service center for more details.



CPU

The CPU is not a user serviceable part. Accessing the CPU in any way may violate your warranty.

Processor Options

Intel® Core™ i7 Processor
i7-5500U (2.40GHz)

4MB L3 Cache, 14nm, DDR3L-1600MHz, TDP 15W

Intel® Core™ i5 Processor
i5-5200U (2.20GHz)

3MB L3 Cache, 14nm, DDR3L-1600MHz, TDP 15W

Intel® Core™ i3 Processor
i3-5010U (2.10GHz), i3-5005U (2.00GHz)

3MB L3 Cache, 14nm, DDR3L-1600MHz, TDP 15W

Intel® Pentium® Processor
3805U (1.90GHz)

2MB L3 Cache, 14nm, DDR3L-1600MHz, TDP 15W

Intel® Celeron® Processor
3755U (1.70GHz), 3205U (1.50GHz)

2MB L3 Cache, 14nm, DDR3L-1600MHz, TDP 15W

BIOS

64Mb SPI Flash ROM

AMI BIOS

Memory

Two 204 Pin SO-DIMM Sockets Supporting **DDR3L 1600MHz** Memory

Memory Expandable up to 16GB

(The real memory operating frequency depends on the FSB of the processor.)

Storage

One Changeable 2.5" 7mm (h) SATA HDD/SSD

(Factory Option) One 9.5mm(h) Optical Device Type Drive (Super Multi Drive/Blu-Ray Combo Drive/Blu-Ray Writer Drive)

Or

(Factory Option) Dummy ODD

(Factory Option for Core i7-5500U/i5-5200U/i3-5010U)
One mSATA Solid State Drive (SSD)

LCD Options

14" (35.56cm) HD (Thickness: 3.6mm)/HD+ (Thickness: 3.0mm)

Design II Only:

Multi Touch

Audio

High Definition Audio Compliant Interface

2 * Built-In Speakers

Built-In Microphone

Video Adapter

Intel GPU (CPU integrated)

Intel HD Graphics 5500 (Core i7/i5/i3 CPU)

Dynamic Frequency (Intel Dynamic Video Memory Technology for up to **1.7GB**)

Microsoft DirectX®11.1 Compatible

Intel HD Graphics (Pentium/Celeron CPU)

Dynamic Frequency (Intel Dynamic Video Memory Technology for up to **1.7GB**)

Microsoft DirectX®11.1 Compatible

Security

Security (Kensington® Type) Lock Slot

BIOS Password

(Factory Option) TPM 2.0

Pointing Device

Built-in Touchpad

Keyboard

"WinKey" keyboard (with embedded numeric keypad)

Mini Card Slots**(Core i7-5500U/i5-5200U/i3-5010U)**Slot 1 for **WLAN** Module or **WLAN and Bluetooth** Combo ModuleSlot 2 for mSATA **SSD**

Or

(Factory Option) Slot 2 for **M.2 3G/4G** Module**Mini Card Slots****(Core i3-5050U/3805U/3755U/3205U)**Slot 1 for **WLAN** Module or **WLAN and Bluetooth** Combo Module**(Factory Option)** Slot 2 for **M.2 3G/4G** Module**Card Reader**

Embedded Multi-In-1 Card Reader

MMC (MultiMedia Card) / RS MMC

SD (Secure Digital) / Mini SD / SDHC/ SDXC

MS (Memory Stick) / MS Pro / MS Duo

Interface

One HDMI-Out Port

One External Monitor Port

One Headphone-Out Jack

One Microphone-In Jack

One RJ-45 LAN Jack

One DC-in Jack

Two USB 3.0 Ports

One USB 2.0 Port

Communication

Built-In Gigabit Ethernet LAN

1.0M HD PC Camera Module

(Factory Option) 3G or 4G M.2 Module**WLAN/ Bluetooth Half Mini-Card Modules:****(Factory Option)** Intel® Wireless-AC 3160 Wireless LAN (802.11ac) + Bluetooth 4.0**(Factory Option)** Intel® Wireless-N 7260 Wireless LAN (802.11b/g/n) + Bluetooth 4.0**(Factory Option)** Third-Party Wireless LAN (802.11b/g/n)**(Factory Option)** Third-Party Wireless LAN (802.11b/g/n) + Bluetooth 4.0**Environmental Spec****Temperature**

Operating: 5°C - 35°C

Non-Operating: -20°C - 60°C

Relative Humidity

Operating: 20% - 80%

Non-Operating: 10% - 90%

Power

Full Range AC/DC Adapter

AC Input: 100 - 240V, 50 - 60Hz

DC Output: 19V, 2.1A (**40W**)

Built-in 6 Cell Smart Lithium-Ion Battery Pack, 48WH

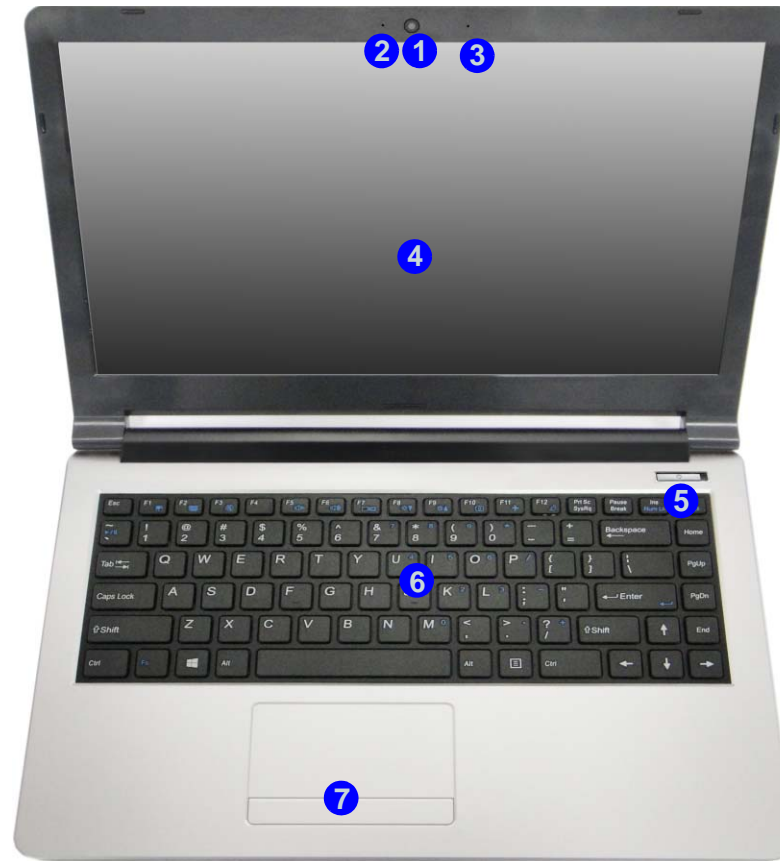
(Factory Option) Built-in 4 Cell Smart Lithium-Ion Battery Pack, 32WH**(Factory Option)** Built-in 4 Cell Smart Lithium-Ion Battery Pack, 44WH**(Factory Option)** Built-in 6 Cell Smart Lithium-Ion Battery Pack, 62WH**Dimensions & Weight**340mm (w) * 242mm (d) * 26.5mm (h)
(Height Excluding Battery Area)**2.15kg** (Barebone with ODD and 48WH Battery)**Design II:**340mm (w) * 242mm (d) * 28mm (h)
(Height Excluding Battery Area)**2.35kg** (Barebone with ODD and 48WH Battery)

Introduction

Figure 1
Top View

1. PC Camera
2. *PC Camera LED
**When the PC camera is in use, the LED will be illuminated in red.*
3. Built-In Microphone
4. LCD
5. Power Button
6. Keyboard
7. Touchpad & Buttons

External Locator - Top View with LCD Panel Open



External Locator - Front & Right Side Views

FRONT VIEW



Figure 2
Front View

1. LED Indicator
2. Multi-in-1 Card Reader

RIGHT SIDE VIEW



Figure 3
Right Side View

1. Microphone-In Jack
2. Headphone-Out Jack
3. USB 2.0 Port
4. Optical Device Drive Bay
5. Emergency Eject Hole
6. Security Lock Slot

Introduction

External Locator - Left Side & Rear View

Figure 4
Left Side View

- 1. DC-In Jack
- 2. RJ-45 LAN Jack
- 3. External Monitor Port
- 4. Vent
- 5. HDMI-Out Port
- 6. USB 3.0 Ports

LEFT SIDE VIEW



Figure 5
Rear View

- 1. Battery location

REAR VIEW



External Locator - Bottom View

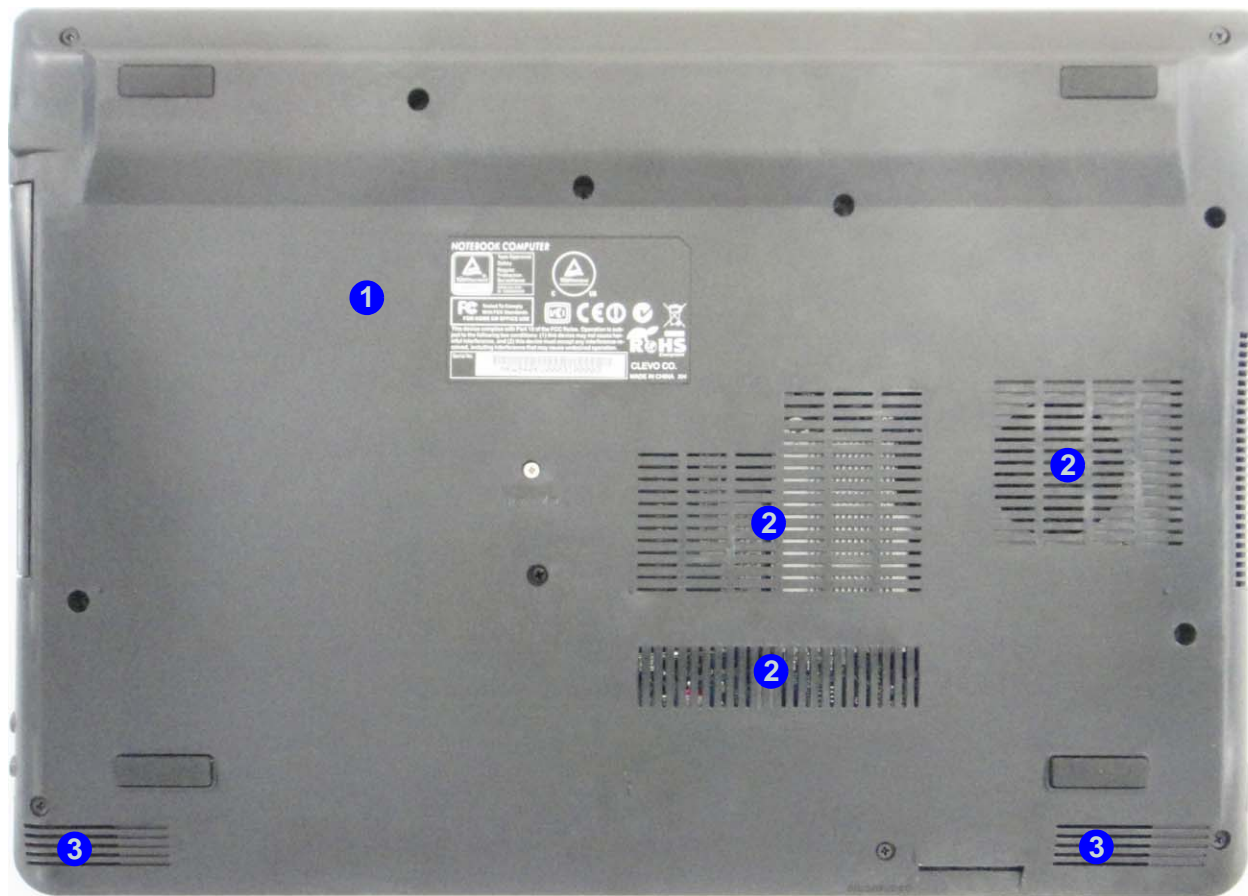


Figure 6
Bottom View

1. Bottom Cover
2. Vents
3. Speakers



Overheating

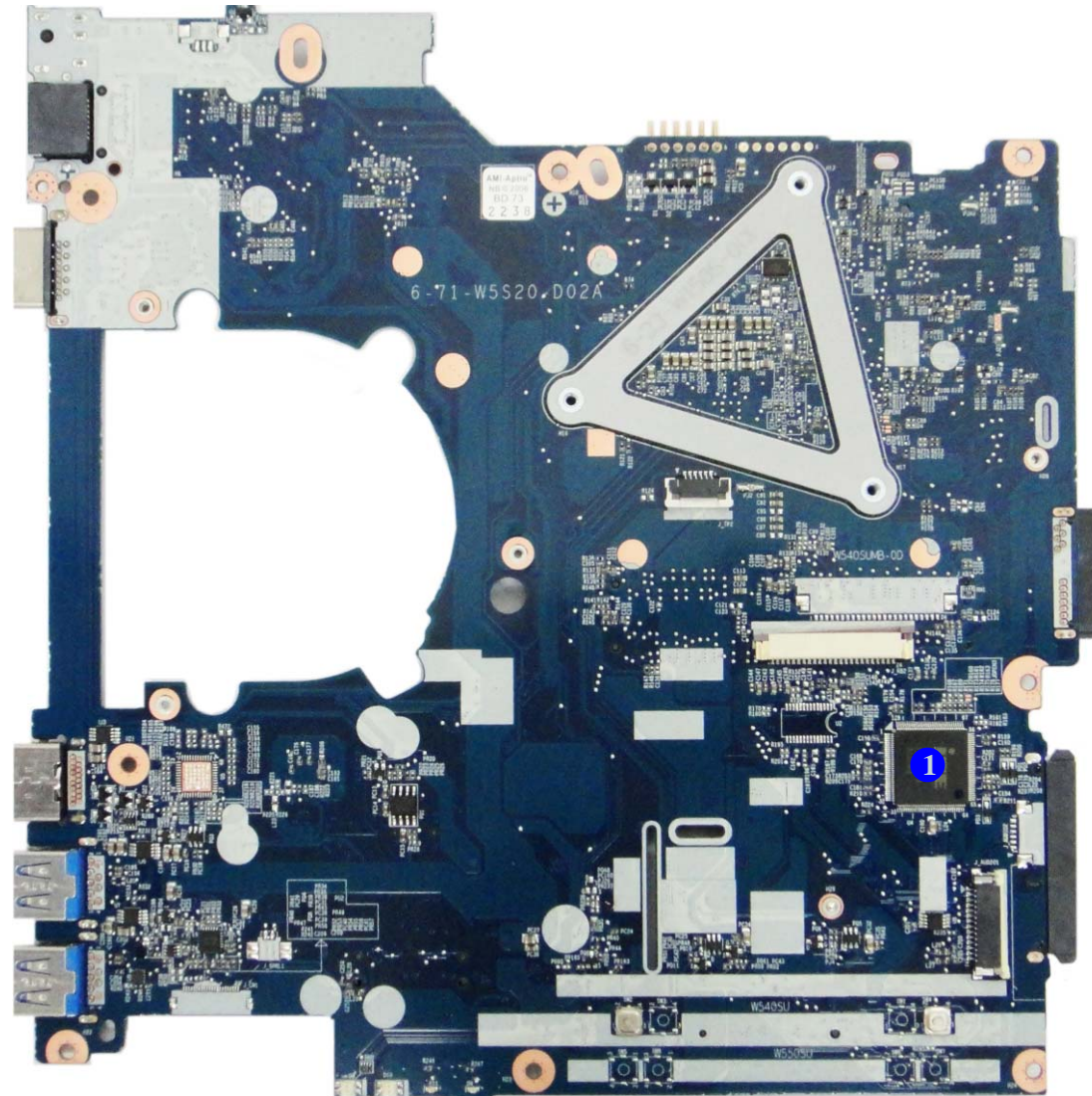
To prevent your computer from overheating, make sure nothing blocks any vent while the computer is in use.

Introduction

Figure 7
Mainboard Top
Key Parts

1. KBC-ITE IT8587

Mainboard Overview - Top (Key Parts)



Mainboard Overview - Bottom (Key Parts)

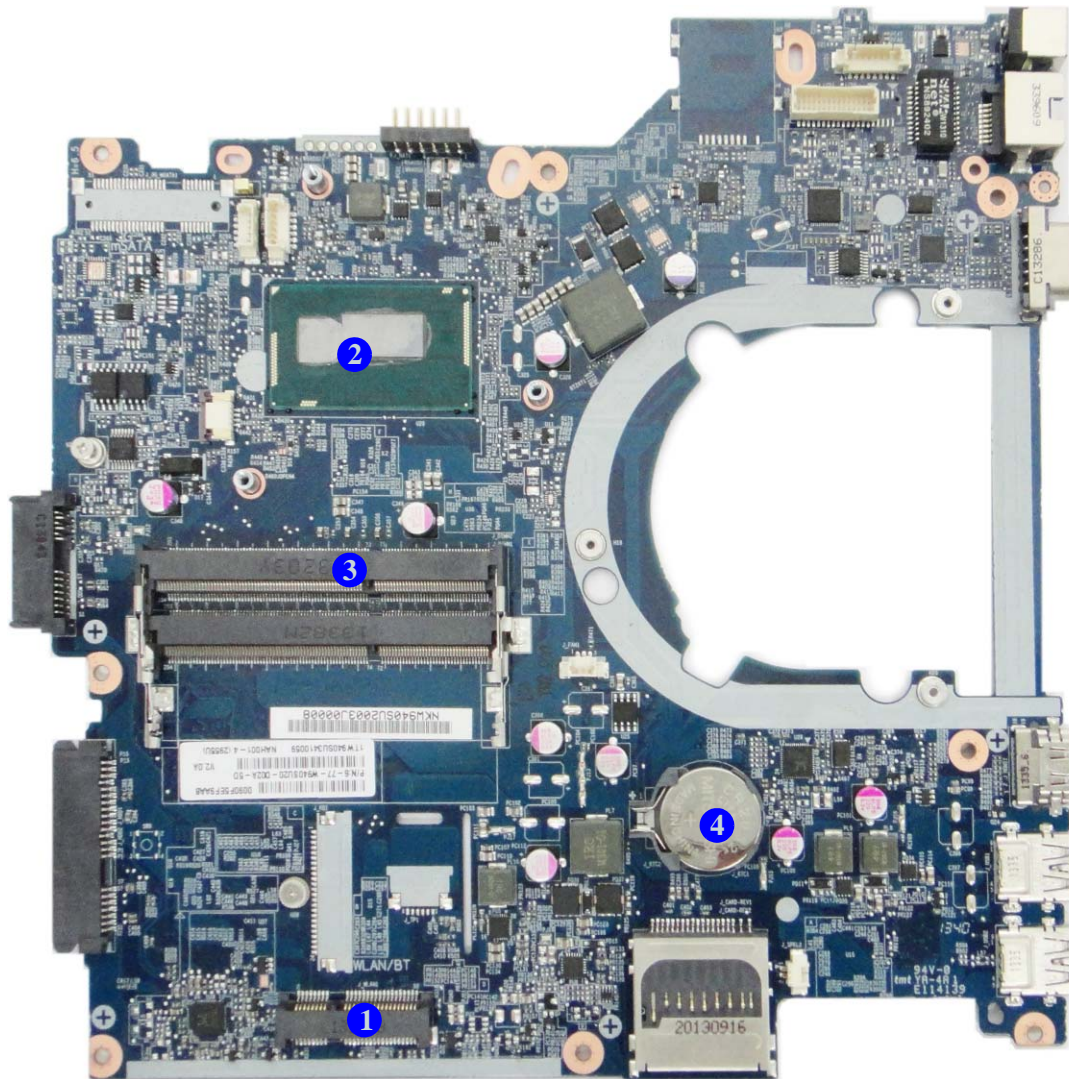


Figure 8
**Mainboard Bottom
Key Parts**

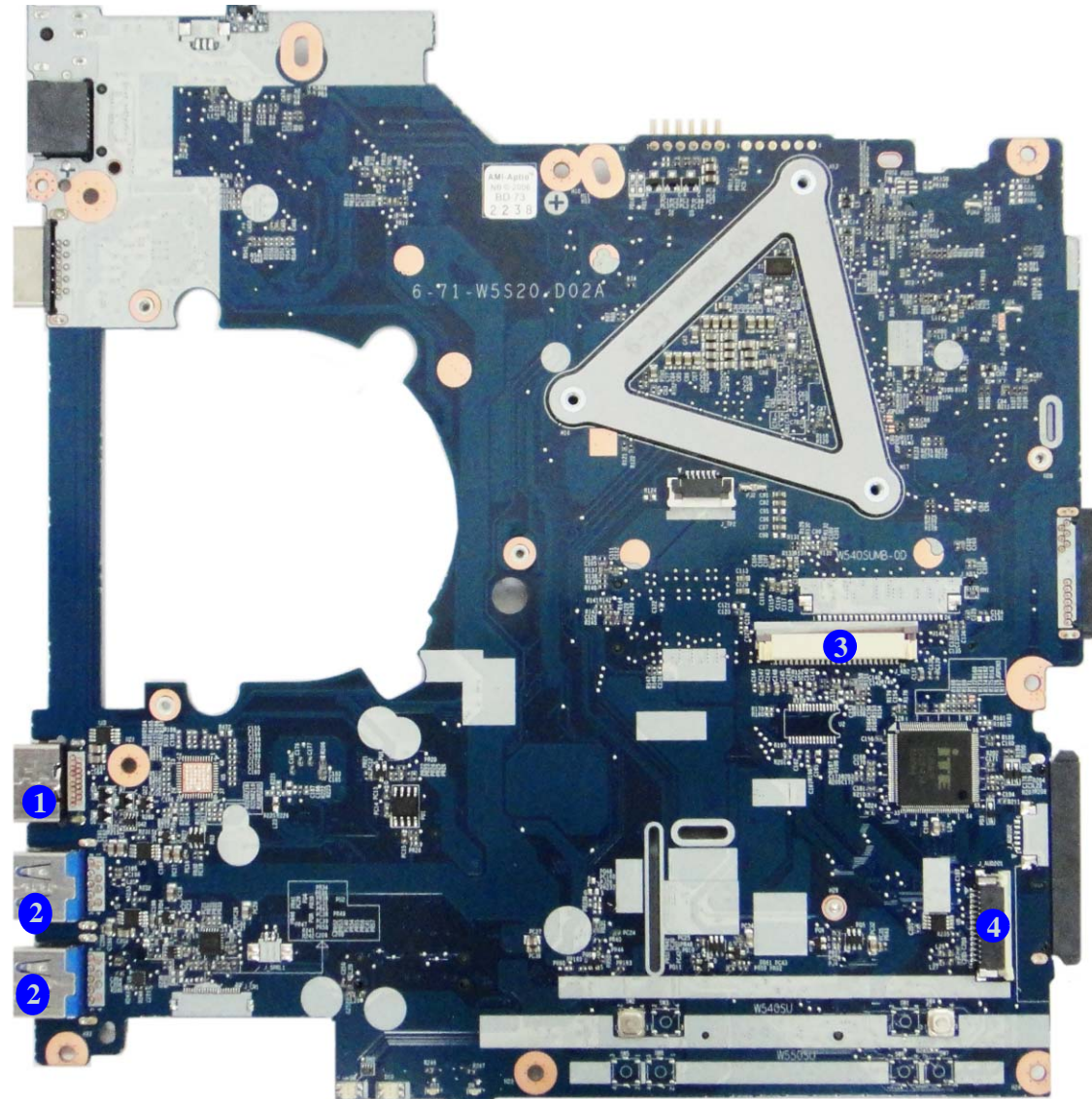
1. Mini-Card Connector
2. CPU
3. Memory Slots
DDR3 SO-DIMM
4. CMOS Battery

Introduction

Figure 9
**Mainboard Top
Connectors**

1. HDMI-Out Port
2. USB Port 3.0
3. Keyboard Cable Connector
4. Audio Board Cable Connector

Mainboard Overview - Top (Connectors)



Mainboard Overview - Bottom (Connectors)

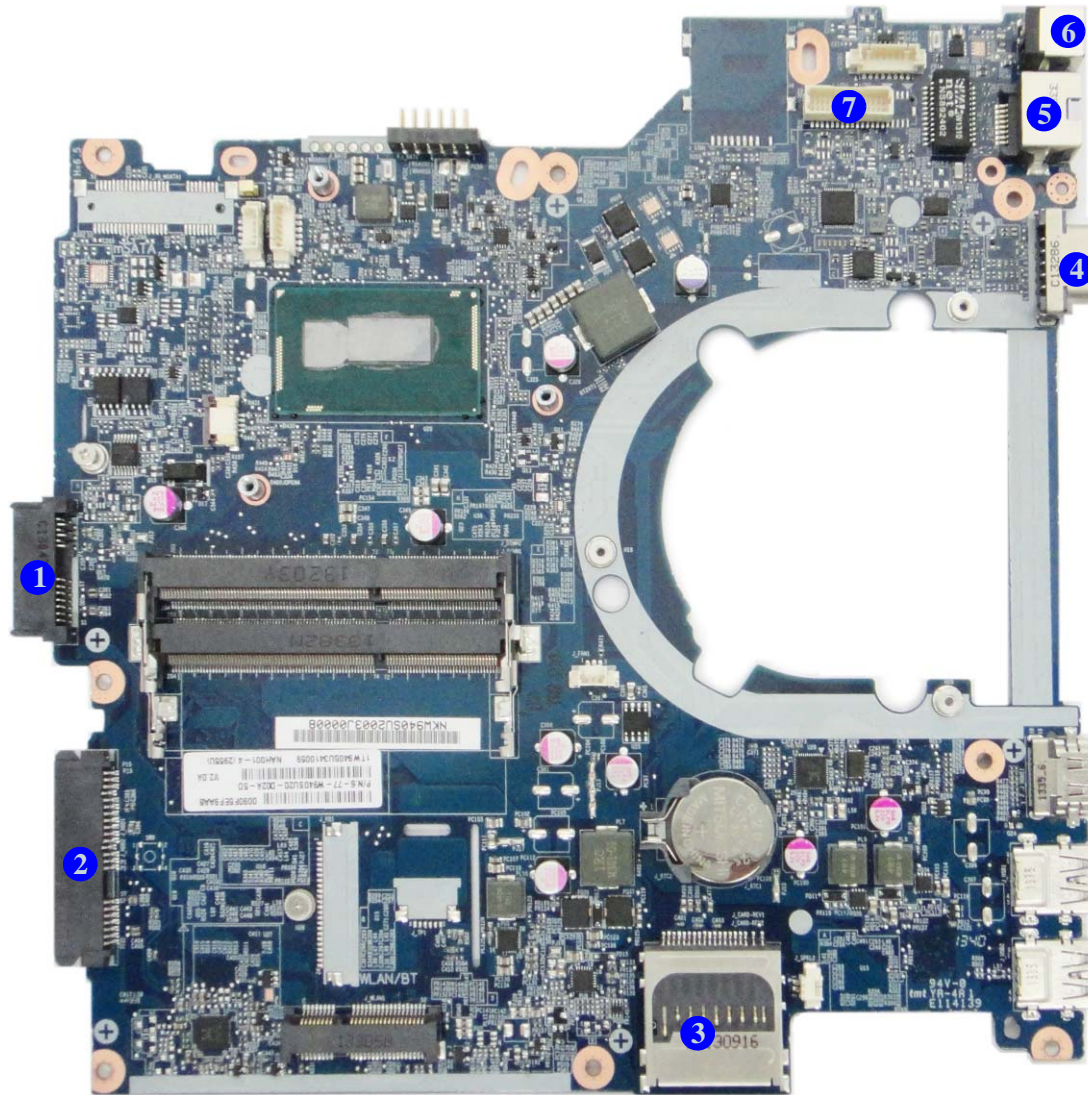


Figure 10
**Mainboard Bottom
Connectors**

1. ODD Connector
2. HDD Connector
3. Multi-in-1 Card Reader
4. External Monitor Port
5. RJ-45 LAN Jack
6. DC-In Jack
7. LCD Cable Connector


Chapter 2: Disassembly

Overview

This chapter provides step-by-step instructions for disassembling the *W940AU / W941AU / W945AUQ* series notebook's parts and subsystems. When it comes to reassembly, reverse the procedures (unless otherwise indicated).

We suggest you completely review any procedure before you take the computer apart.

Procedures such as upgrading/replacing the RAM, optical device and hard disk are included in the User's Manual but are repeated here for your convenience.

To make the disassembly process easier each section may have a box in the page margin. Information contained under the figure # will give a synopsis of the sequence of procedures involved in the disassembly procedure. A box with a  lists the relevant parts you will have after the disassembly process is complete. **Note:** The parts listed will be for the disassembly procedure listed ONLY, and not any previous disassembly step(s) required. Refer to the part list for the previous disassembly procedure. The amount of screws you should be left with will be listed here also.

A box with a  will also provide any possible helpful information. A box with a  contains warnings.

An example of these types of boxes are shown in the sidebar.



Disassembly

NOTE: All disassembly procedures assume that the system is turned **OFF**, and disconnected from any power supply (the battery is removed too).

Maintenance Tools

The following tools are recommended when working on the notebook PC:

- M3 Philips-head screwdriver
- M2.5 Philips-head screwdriver (magnetized)
- M2 Philips-head screwdriver
- Small flat-head screwdriver
- Pair of needle-nose pliers
- Anti-static wrist-strap

Connections

Connections within the computer are one of four types:

Locking collar sockets for ribbon connectors	To release these connectors, use a small flat-head screwdriver to gently pry the locking collar away from its base. When replacing the connection, make sure the connector is oriented in the same way. The pin1 side is usually not indicated.
Pressure sockets for multi-wire connectors	To release this connector type, grasp it at its head and gently rock it from side to side as you pull it out. Do not pull on the wires themselves. When replacing the connection, do not try to force it. The socket only fits one way.
Pressure sockets for ribbon connectors	To release these connectors, use a small pair of needle-nose pliers to gently lift the connector away from its socket. When replacing the connection, make sure the connector is oriented in the same way. The pin1 side is usually not indicated.
Board-to-board or multi-pin sockets	To separate the boards, gently rock them from side to side as you pull them apart. If the connection is very tight, use a small flat-head screwdriver - use just enough force to start.

Maintenance Precautions

The following precautions are a reminder. To avoid personal injury or damage to the computer while performing a removal and/or replacement job, take the following precautions:

1. **Don't drop it.** Perform your repairs and/or upgrades on a stable surface. If the computer falls, the case and other components could be damaged.
2. **Don't overheat it.** Note the proximity of any heating elements. Keep the computer out of direct sunlight.
3. **Avoid interference.** Note the proximity of any high capacity transformers, electric motors, and other strong magnetic fields. These can hinder proper performance and damage components and/or data. You should also monitor the position of magnetized tools (i.e. screwdrivers).
4. **Keep it dry.** This is an electrical appliance. If water or any other liquid gets into it, the computer could be badly damaged.
5. **Be careful with power.** Avoid accidental shocks, discharges or explosions.
 - Before removing or servicing any part from the computer, turn the computer off and detach any power supplies.
 - When you want to unplug the power cord or any cable/wire, be sure to disconnect it by the plug head. Do not pull on the wire.
6. **Peripherals** – Turn off and detach any peripherals.
7. **Beware of static discharge.** ICs, such as the CPU and main support chips, are vulnerable to static electricity. Before handling any part in the computer, discharge any static electricity inside the computer. When handling a printed circuit board, do not use gloves or other materials which allow static electricity buildup. We suggest that you use an anti-static wrist strap instead.
8. **Beware of corrosion.** As you perform your job, avoid touching any connector leads. Even the cleanest hands produce oils which can attract corrosive elements.
9. **Keep your work environment clean.** Tobacco smoke, dust or other air-borne particulate matter is often attracted to charged surfaces, reducing performance.
10. **Keep track of the components.** When removing or replacing any part, be careful not to leave small parts, such as screws, loose inside the computer.

Cleaning

Do not apply cleaner directly to the computer, use a soft clean cloth.

Do not use volatile (petroleum distillates) or abrasive cleaners on any part of the computer.



Power Safety Warning

Before you undertake any upgrade procedures, make sure that you have turned off the power, and disconnected all peripherals and cables (including telephone lines and power cord). It is advisable to also remove your battery in order to prevent accidentally turning the machine on.

Disassembly Steps

The following table lists the disassembly steps, and on which page to find the related information. **PLEASE PERFORM THE DISASSEMBLY STEPS IN THE ORDER INDICATED.**

To remove the Battery:

1. Remove the battery *page 2 - 5*

To install the SIM Card:

1. Remove the battery *page 2 - 5*
2. Install the SIM card *page 2 - 7*

To remove the SIM Card:

1. Remove the battery *page 2 - 5*
2. Remove the SIM card *page 2 - 7*

To remove the Optical Device:

1. Remove the battery *page 2 - 5*
2. Remove the Optical device *page 2 - 8*

To remove the HDD:

1. Remove the battery *page 2 - 5*
2. Remove the HDD *page 2 - 10*

To remove the System Memory:

1. Remove the battery *page 2 - 5*
2. Remove the system memory *page 2 - 12*

To remove the Keyboard:

1. Remove the battery *page 2 - 5*
2. Remove the keyboard *page 2 - 15*

To remove the Wireless LAN Module :

1. Remove the battery *page 2 - 5*
2. Remove the WLAN *page 2 - 15*

To remove the mSATA Module :

1. Remove the battery *page 2 - 5*
2. Remove the 3G *page 2 - 17*
3. Remove the mSATA *page 2 - 17*

Removing the Battery

1. Turn **off** the computer, turn it over.
2. Remove the SD card cover **1** and screws **2** - **14** from the bottom case (*Figure 1a*).
3. Carefully separate the bottom case **15** from the top case in the direction of the arrow at point **16** - **17** (*Figure 1b*).
4. The battery will be visible at point **18** (*Figure 1c*).

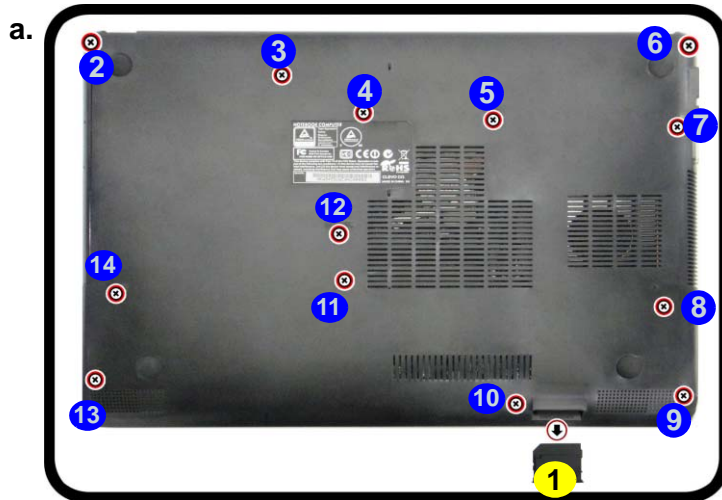


Figure 1
Battery Removal

- a. Remove the cover and screws from the bottom case.
- b. Separate the top and bottom case.
- c. The battery will then be visible.

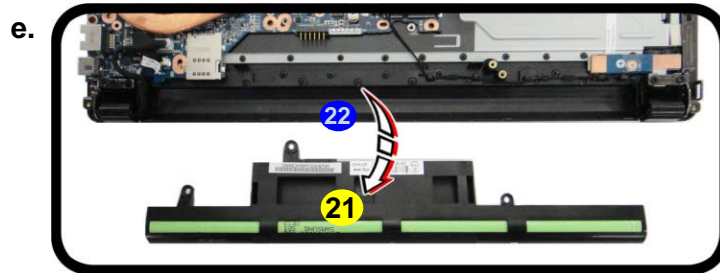
- 1. SD Card Cover
- 15. Bottom Case
- 13 Screws

Disassembly

Figure 2 Battery Removal & Assembly (cont'd.)

- d. Remove the screws.
e. Lift the battery out.
f. Reattach the bottom cover and top case.

5. Remove screws **19** - **20** from the battery (*Figure 2d*).
6. Lift the battery **21** off the computer in the direction of the arrow **22** (*Figure 2e*).
7. Reverse the process to insert a new battery (do not forget to replace all the screws).
8. Reattach the bottom cover with the top case at point **23** in the direction of the arrow **24** (*Figure 2f*).
9. Snap together the sides of the bottom cover and top case and replace the corresponding screws.



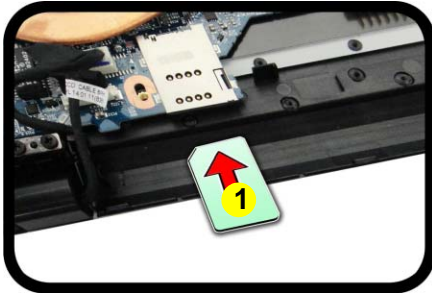
21. Battery

- 2 Screws

Installing the 3G USIM Card

1. Turn **off** the computer, turn it over to remove the battery ([page 2 - 5](#)).
2. Insert the USIM card **1** until it clicks fully into position, and replace the battery, bottom case and screws ([Figure 3a](#)).

a.



Removing the 3G USIM Card

1. Turn **off** the computer, turn it over to remove the battery ([page 2 - 5](#)).
2. Remove the USIM card **1** by pushing it in until it is release. Replace the battery, bottom case and screws ([Figure 4a](#)).

a.

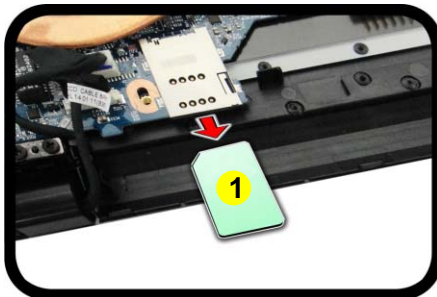
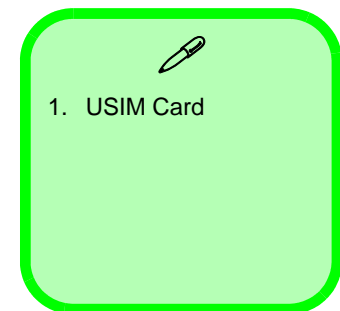


Figure 3
**3G USIM Card
Installation**

a. Insert the USIM card.

Figure 4
**3G USIM Card
Removal**

a. Remove the USIM card.



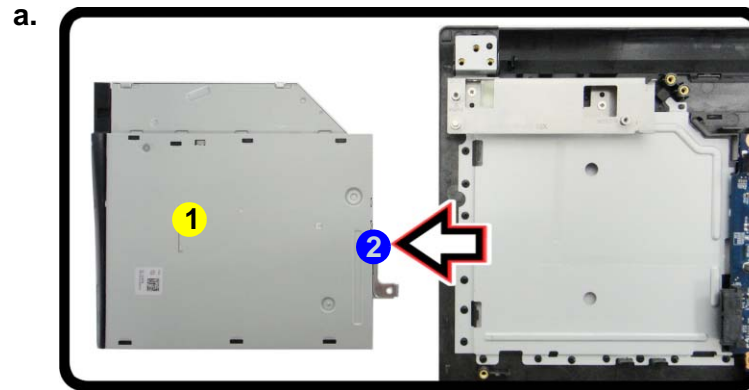
Disassembly


Figure 5
**Optical Device
 Removal**

- Pull out the optical device.
- Pry the bezel off the optical device.
- Separate the bezel and optical device.

Removing the Optical (CD/DVD) Device

- Turn **off** the computer, turn it over to remove the battery ([page 2 - 5](#)).
- Carefully pull out the optical device **1** out of the bay **2** ([Figure 5a](#)).
- Carefully pry the bezel **4** off the optical device at point **3** ([Figure 5b](#)).
- Separate the bezel **4** and the optical device ([Figure 5c](#)).

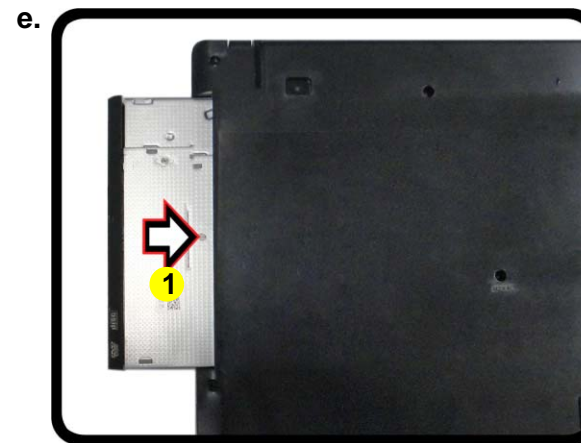


- 
- Optical Device
 - Bezel

- Reverse the process to attach the front bezel **4** with the new optical device at point **5** (*Figure 6d*).
- Insert the new optical device **1** and carefully slide it into the computer (the device only fits one way. DO NOT FORCE IT; The screw holes should line up).
- Replace and tighten the screw **6** (*Figure 6f*).
- Restart the computer to allow it to automatically detect the new device.

Figure 6
Optical Device Assembly

- Install the front bezel.
- Insert the optical device.
- Tighten the screw.



- 1. Optical Device
- 4. Bezel

• 1 Screw

Removing the Hard Disk Drive

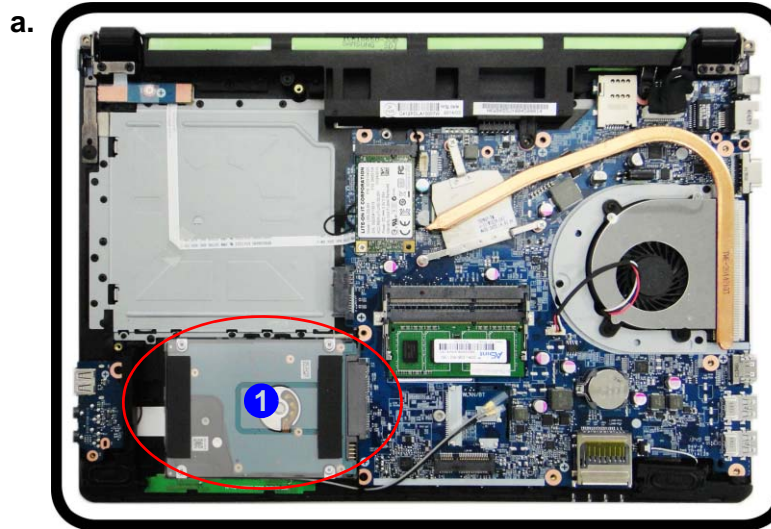
Figure 7
**HDD Assembly
Removal**

The hard disk drive can be taken out to accommodate other 2.5" serial (SATA) hard disk drives with a height of 7mm (h). Follow your operating system's installation instructions, and install all necessary drivers and utilities (as outlined in **Chapter 4 of the User's Manual**) when setting up a new hard disk.

a. Locate the HDD assembly.

Hard Disk Upgrade Process

1. Turn **off** the computer, turn it over to remove the battery ([page 2 - 5](#)).
2. The hard disk drive will be visible at point **1** ([Figure 7a](#)).



HDD System Warning

New HDD's are blank. Before you begin make sure:

You have backed up any data you want to keep from your old HDD.

You have all the CD-ROMs and FDDs required to install your operating system and programs.

If you have access to the internet, download the latest application and hardware driver updates for the operating system you plan to install. Copy these to a removable medium.

3. Slightly lift and pull the hard disk assembly in the direction of arrow ② (Figure 8b).
4. Lift the hard disk assembly ③ out of the bay ④ (Figure 8c).
5. Remove the screws ⑤ - ⑥ and the adhesive cover ⑦ from the hard disk ⑧ (Figure 8d).
6. Reverse the process to install a new hard disk (do not forget to replace all the screws and bay cover).

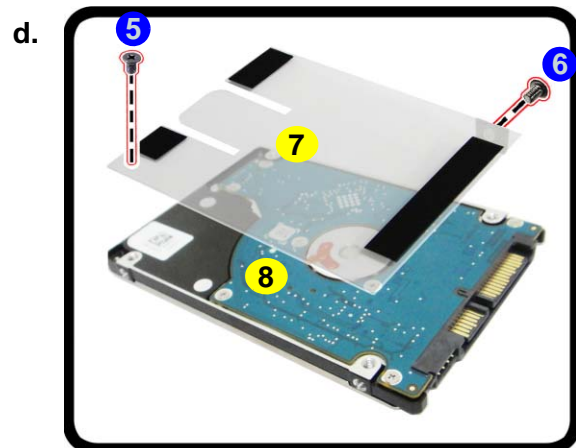
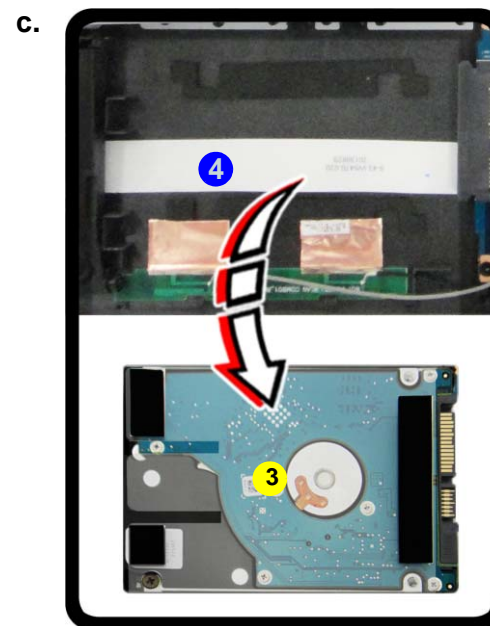
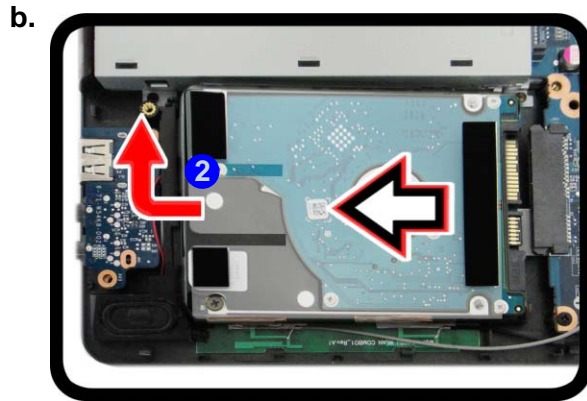
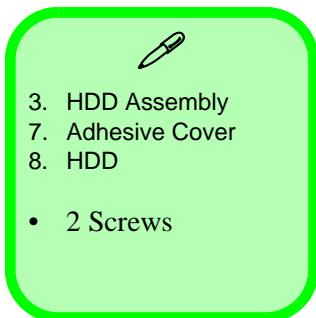


Figure 8
HDD Assembly
Removal (cont'd.)

- b. Slightly lift and pull the HDD assembly in the direction of the arrow.
- c. Lift the HDD assembly out of the bay.
- d. Remove the screws and adhesive cover.



Disassembly

Figure 9
RAM Module Removal

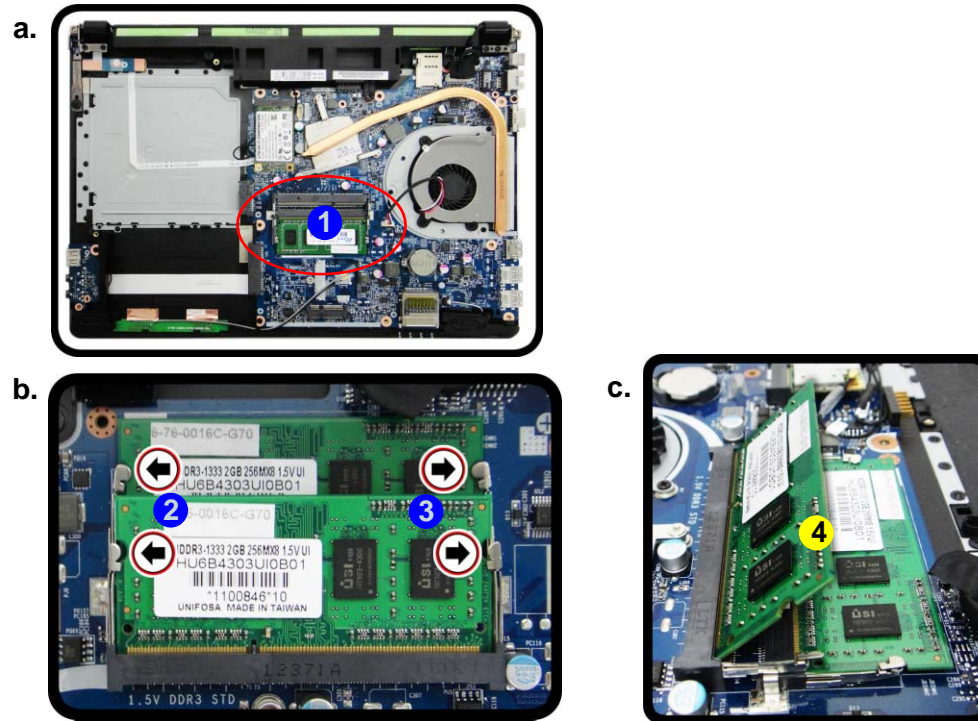
- The RAM modules will be visible at point **1** on the mainboard.
- Pull the release latches.
- Remove the module.

Removing the System Memory (RAM)

The computer has two memory sockets for 204 pin Small Outline Dual In-line Memory Modules (SO-DIMM) supporting DDR3L Up to 1600 MHz. The main memory can be expanded up to 16GB. The total memory size is automatically detected by the POST routine once you turn on your computer.

Memory Upgrade Process

- Turn **off** the computer, turn it over to remove the battery ([page 2 - 5](#)).
- The RAM modules will be visible at point **1** on the mainboard ([Figure 9b](#)).
- Gently pull the two release latches (**2** & **3**) on the sides of the memory socket in the direction indicated by the arrows ([Figure 9b](#)). The RAM module **4** will pop-up ([Figure 9c](#)), and you can then remove it.



Contact Warning

Be careful not to touch the metal pins on the module's connecting edge. Even the cleanest hands have oils which can attract particles, and degrade the module's performance.

Single Memory Module Installation

If your computer has a single memory module, then insert the module into the **Channel 0 (JDIMM1)** socket. In this case this is the **lower memory socket** (the socket closest to the mainboard).

4. RAM Module

4. Pull the latches to release the second module if necessary.
5. Insert a new module holding it at about a 30° angle and fit the connectors firmly into the memory slot.
6. The module will only fit one way as defined by its pin alignment. Make sure the module is seated as far into the slot as it will go. DO NOT FORCE IT; it should fit without much pressure.
7. Press the module in and down towards the mainboard until the slot levers click into place to secure the module.
8. Replace the bottom cover and the screws (see [page 2 - 5](#)).
9. Restart the computer to allow the BIOS to register the new memory configuration as it starts up.

Disassembly

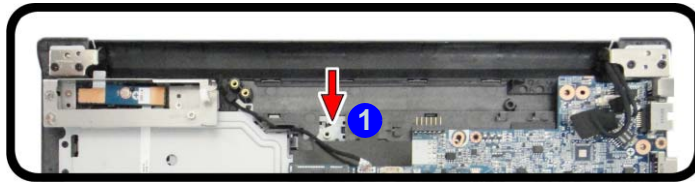
Figure 10
Keyboard Removal

- Release the keyboard by pressing at point 1.
- Disconnect the keyboard ribbon cable from the locking collar socket.
- Remove the keyboard.

Removing the Keyboard

- Turn **off** the computer, turn it over to remove the battery ([page 2 - 5](#)).
- Press at point 1 to release the keyboard ([Figure 10a](#)).
- Turn the computer over, remove the keyboard 2 ([Figure 10c](#)).
- Carefully lift the keyboard up, being careful not to bend the keyboard ribbon cable 3. Disconnect the keyboard ribbon cable from the locking collar socket 4 ([Figure 10d](#)).
- Carefully lift up the keyboard 2 off the computer ([Figure 10e](#)).
- Reverse the process to install the keyboard.

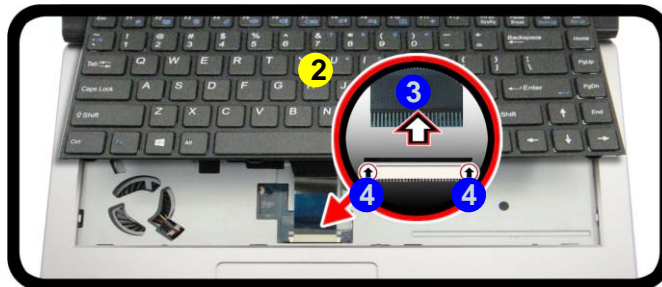
a.



c.



b.



2. Keyboard

Removing the Wireless LAN Module

1. Turn **off** the computer, turn it over to remove the battery ([page 2 - 5](#)).
2. The Wireless LAN module will be visible at point **1** on the mainboard ([Figure 11a](#)).
3. Carefully disconnect the cables **2** & **3**, and then remove the screw **4** ([Figure 11b](#)).
4. The Wireless LAN module **5** ([Figure 11c](#)) will pop-up, and you can remove it from the computer.

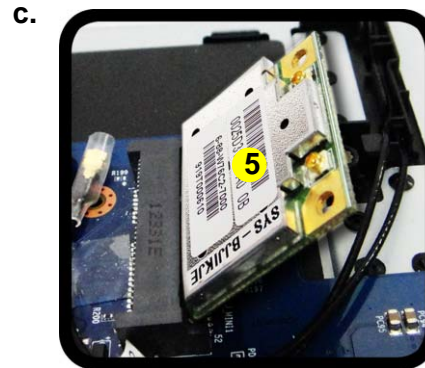
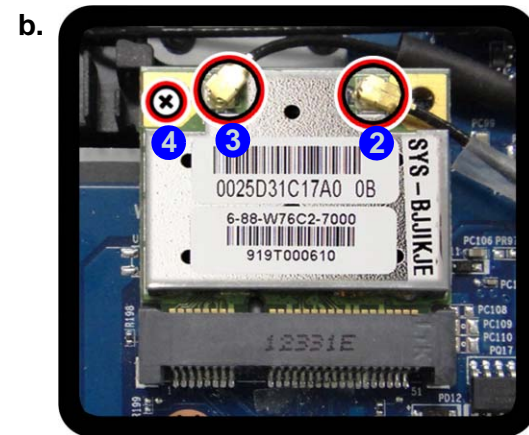
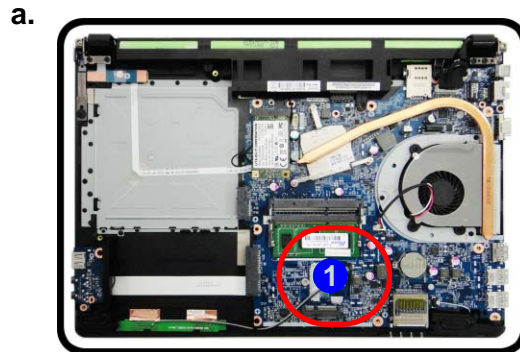



Figure 11
**Wireless LAN
Module Removal**

- a. Locate the WLAN.
- b. Disconnect the cable and remove the screw.
- c. The WLAN module will pop up and lift it out of the computer.

Note: Make sure you reconnect the antenna cable to the “1 + 2” socket ([Figure 11b](#)).



5. Wireless LAN Module

- 1 Screw

Wireless LAN, Combo, 3G & LTE Module Cables

Note that the cables for connecting to the antennae on WLAN, WLAN & Bluetooth Combo, 3G and LTE modules are not labelled. The cables/covers (each cable will have either a black or transparent cable cover) are color coded for identification as outlined in the table below.

Module Type	Antenna Type	Cable Color	Cable Cover Type
WLAN/WLAN & Bluetooth Combo	WM 1	Black	Transparent
	WM 2	Gray	
	WM 3	White	
LTE Broadband	LTE 1	Black	Black
	LTE 2	Gray	
3G Broadband	3G 1	Black	Black
	3G 2	Gray	

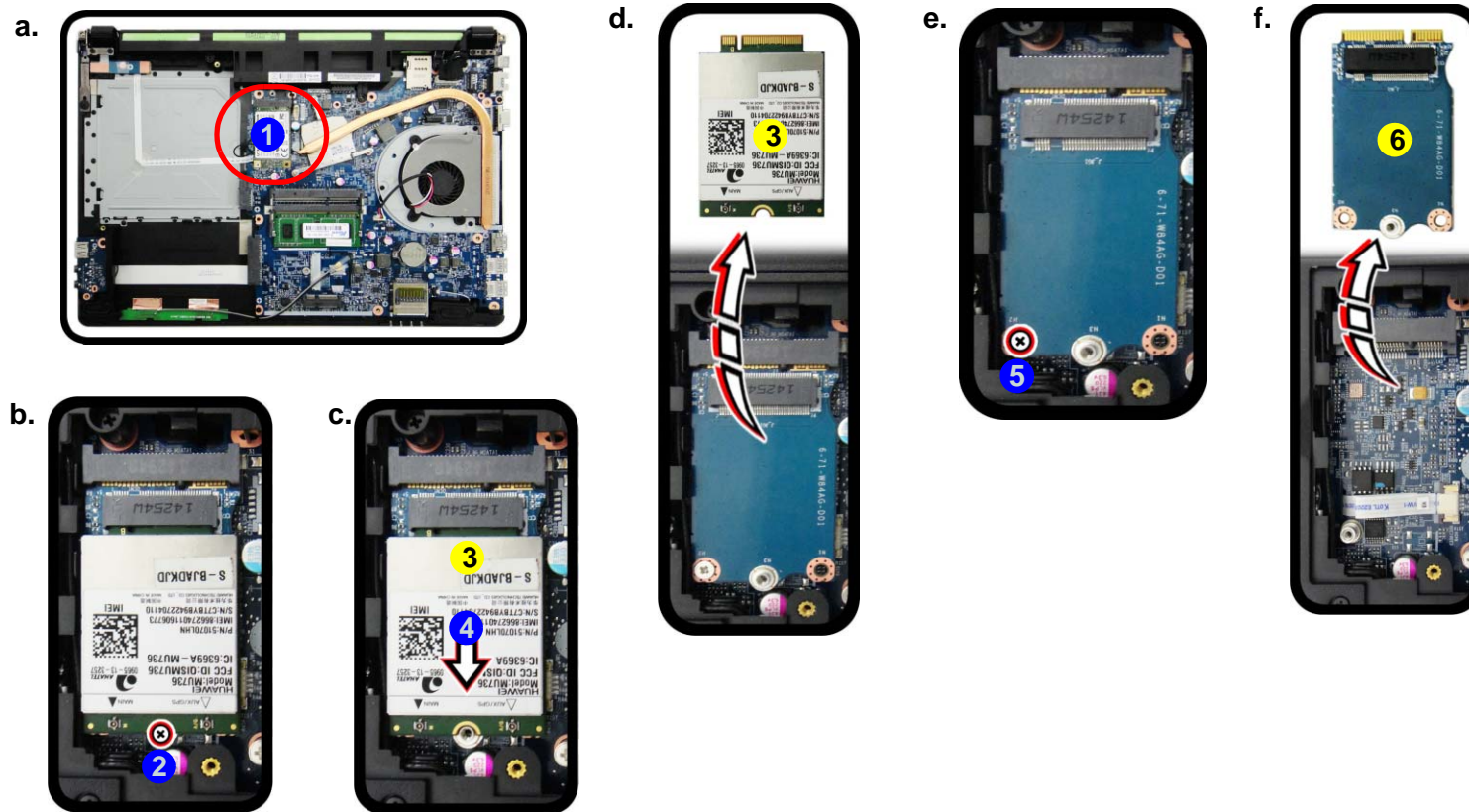
Cable 1 is usually connected to antenna 1 (Main) on the module, and cable 2 to antenna 2 (Aux).


Removing the 3G Module

1. Turn off the computer, turn it over to remove the battery ([page 2 - 5](#)).
2. The 3G module will be visible at point **1** on the mainboard ([Figure 12a](#)).
3. Carefully remove the screw **2** ([Figure 12b](#))
4. Carefully slide the 3G module **3** ([Figure 12c](#)) out of the 3G transfer card and lift it up (do not exceed 10degrees) to remove it from the computer ([Figure 12d](#)).
5. Carefully remove the screw **5** ([Figure 12e](#)).
6. The 3G interface adaptor card **6** will pop-up, and you can remove it from the computer ([Figure 12f](#)).

Figure 12
3G Module Removal

- a. Locate the 3G.
- b. Remove the screw.
- c. Slide the module and lift it up.
- d. Remove the 3G module.
- e. Remove the screw.
- f. Remove the card.





3. mSATA Module
6. Interface Adaptor

- 1 Screw

Disassembly

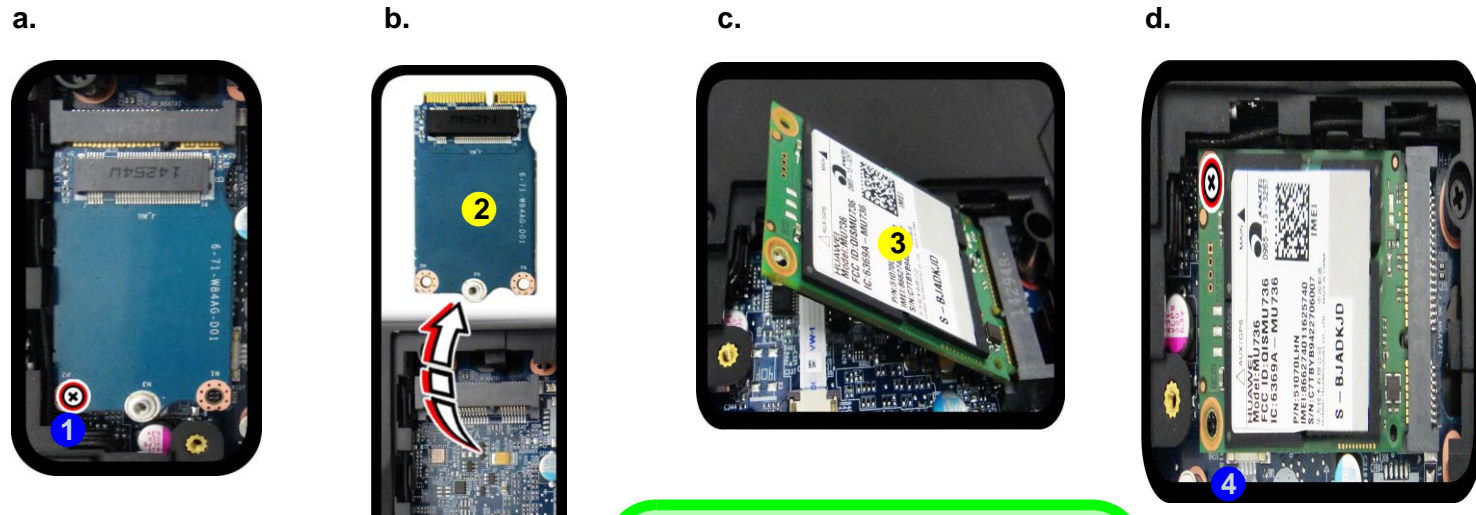
Figure 13
SSD Module
Installation

- a. Remove the screw.
- d. Remove the interface adaptor.
- c. Install the module.
- d. Tighten the screw.

Installing and Removing the mSATA Module

mSATA Module installation procedure:

1. Turn off the computer, turn it over, remove the battery ([page 2 - 5](#)), component bay cover ([page 2 - 12](#)) and 3G ([page 2 - 17](#)).
2. Carefully remove the screw ❶ ([Figure 13a](#)).
3. The interface adaptor ❷ will pop-up, and you can remove it from the computer ([Figure 13b](#)).
4. Insert the SSD module ❸ ([Figure 13c](#)), and you can tighten the screw ❹ ([Figure 13d](#)).



- 2. Interface Adaptor
- 3. mSATA Module

- 2 Screws

Antenna Cable

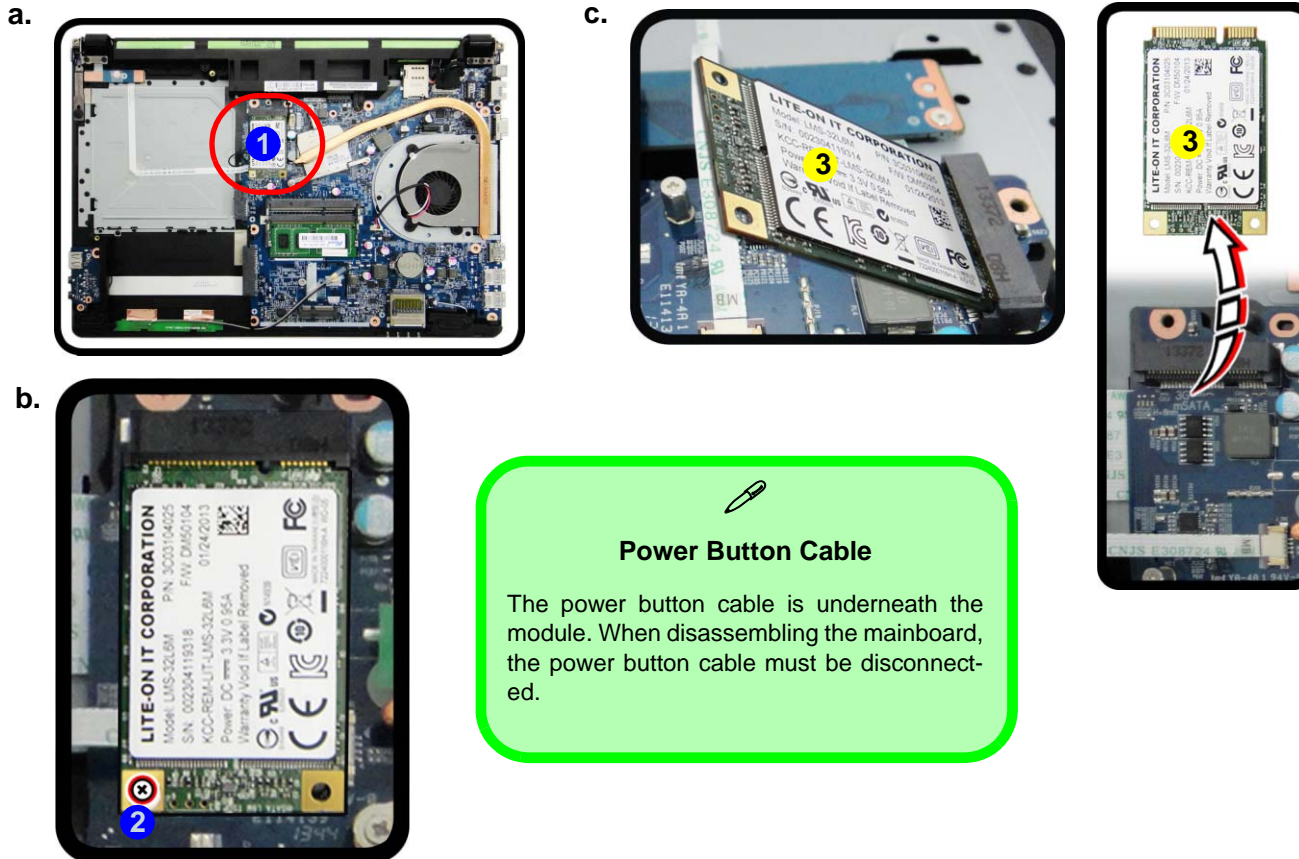
Pay attention, and be careful not to damage the antenna cable on the side when installing the module or interface adaptor.

mSATA Module removal procedure:

1. Turn off the computer, turn it over to remove the battery ([page 2 - 5](#)) and 3G ([page 2 - 19](#)).
2. The mSATA module will be visible at point ① on the mainboard ([Figure 14a](#)).
3. Carefully remove the screw ② ([Figure 14b](#))
4. The mSATA module ③ ([Figure 14c](#)) will pop-up, and you can remove it from the computer.

Figure 14
mSATA Module Removal

- a. Locate the mSATA.
- b. Remove the screw.
- c. The mSATA module will pop up and lift it out of the computer.



Appendix A: Part Lists

This appendix breaks down the *W940AU / W941AU / W945AUQ* series notebook's construction into a series of illustrations. The component part numbers are indicated in the tables opposite the drawings.

Note: This section indicates the *manufacturer's* part numbers. Your organization may use a different system, so be sure to cross-check any relevant documentation.

Note: Some assemblies may have parts in common (especially screws). However, the part lists DO NOT indicate the total number of duplicated parts used.

Note: Be sure to check any update notices. The parts shown in these illustrations are appropriate for the system at the time of publication. Over the product life, some parts may be improved or re-configured, resulting in *new* part numbers.

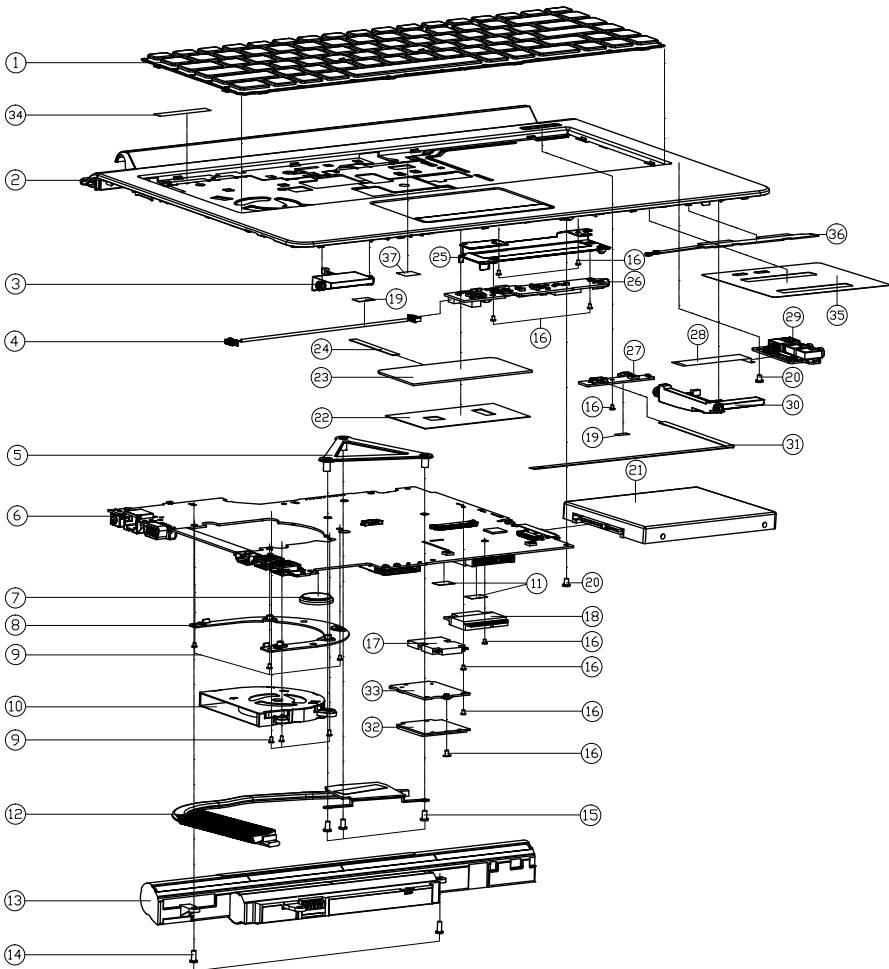
Part List Illustration Location

The following table indicates where to find the appropriate part list illustration.

Table A - 1
Part List Illustration
Location

Part	W940AU	W941AU	W945AUQ
Top - Positivo	<i>page A - 3</i>	<i>page A - 4</i>	
Top - Stand	<i>page A - 5</i>	<i>page A - 6</i>	
Top			<i>page A - 7</i>
LCD	<i>page A - 8</i>	<i>page A - 9</i>	<i>page A - 10</i>
Bottom - Dummy	<i>page A - 11</i>		<i>page A - 13</i>
Bottom - ODD	<i>page A - 12</i>		
Combo	<i>page A - 14</i>		
DVD Dual Drive	<i>page A - 15</i>		
HDD	<i>page A - 16</i>		

Top - Positivo (W940AU)

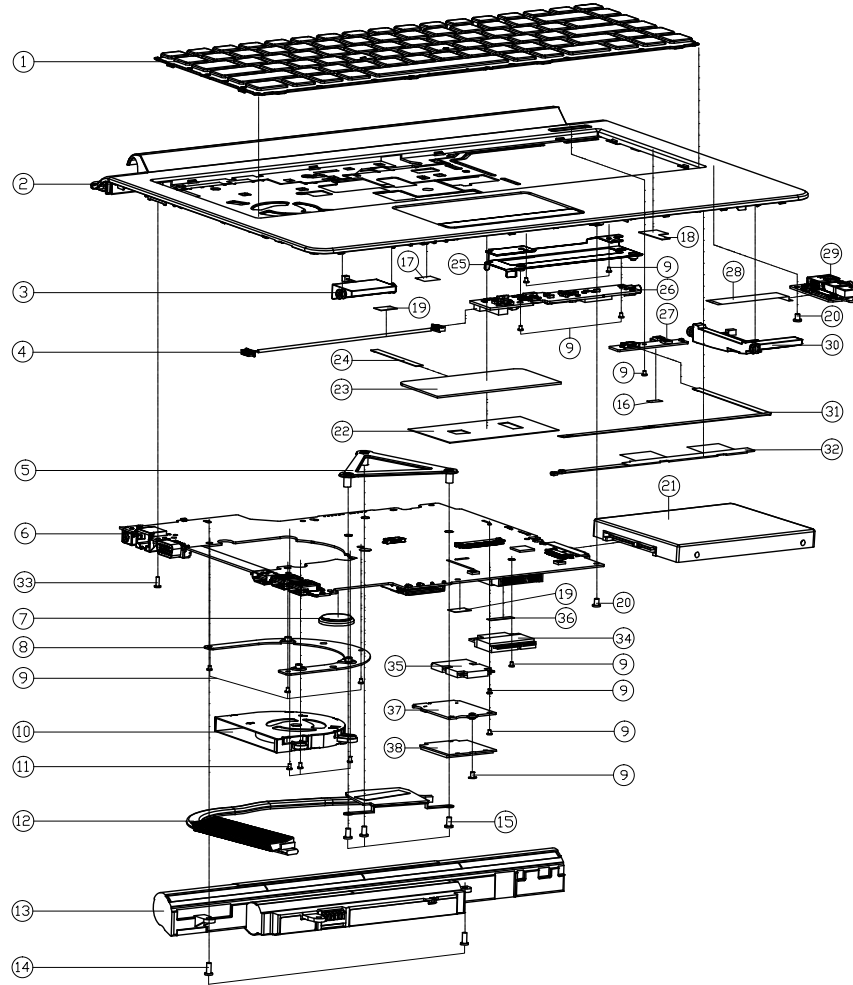


ITEM	PART NAME	PART NO	REMARK
1	TOP CASE MODULE POSITIVO W940TU	6-39-W9402-01B-P	
2	TOP CASE MODULE POSITIVO W940TU	6-39-W9402-01B-P	
3	SPEAKABLE L. COY. LAY. RY. VSHHTU CANGSQU M2DENO	6-23-W940-01L-1	
4	WIRE CABLE FOR TV TUNER L-ERNN CPDR TO SPHN HL VSHHTU	6-43-W940T-031	
5	CPU SUPPORTER FOR HARBOR RIVER SECC W569MM	6-33-W150S-011	
6	TOP CASE POSITIVE TOP FOR V940AU100-003-10	4-77-W940AU0-003-10	
6	TOP CASE POSITIVE TOP FOR V940AU100-003-4L	4-77-W940AU0-003-4L	
6	TOP CASE POSITIVE TOP FOR V940AU100-003-5G	4-77-W940AU0-003-5G	
6	TOP CASE POSITIVE TOP FOR V940AU100-003-6M	4-77-W940AU0-003-6M	
6	TOP CASE POSITIVE TOP FOR V940AU100-003-7T	4-77-W940AU0-003-7T	
7	BATTERY 3V 220MA BB0C2R02CB QXTS	6-23-6A2B2-030	
8	FAN BRACKET SECCO:09MM W940SUI	6-33-W951S-01E	
9	SCREW MESHAL KI BZ ICT NY	6-35-B6120-4RA	
10	FAN MODULE V-251H4L2	6-31-W25H4S-100	
11	TAPE MYLAR TRANSPARENT CONFORMING FIBROSM	6-40-P1803-020	
12	CPU HEATSH. MODULE V594SUI2	6-31-W552N-102	
13	TOP CASE POSITIVE TOP FOR V940AU100-003-10	4-77-W940S-40F-1	
13	TOP CASE POSITIVE TOP FOR V940AU100-003-4L	4-77-W940S-40F-1	
13	TOP CASE POSITIVE TOP FOR V940AU100-003-5G	4-77-W940S-424E	
13	TOP CASE POSITIVE TOP FOR V940AU100-003-6M	4-77-W940S-414I	
13	TOP CASE POSITIVE TOP FOR V940AU100-003-7T	4-77-W940S-4E72	
13	TOP CASE POSITIVE TOP FOR V940AU100-003-22M	4-77-W940S-4B1F	
13	TOP CASE POSITIVE TOP FOR V940AU100-003-22M	4-77-W940S-4U1F	
14	SCREW M2.5X6L KI BZ ICT NY	6-35-82125-6RA	
15	SCREW MESHAL KI BZ ICT NY	6-35-B1125-5RA	
16	SCREW MESHAL KI BZ ICT NY (0D=0.45,DT=0.4)	6-35-B1120-3RE	
17	HEATSH. SH. 220MA MLC SCHEMACHANMAX INTEL CSD SERIES	6-85-D4000-201	
17	HEATSH. SH. 220MA MLC SCHEMACHANMAX INTEL CSD SERIES	6-85-D4000-201	
17	HEATSH. SH. 220MA MLC SCHEMACHANMAX INTEL CSD SERIES	6-85-D4000-100	
17	HEATSH. SH. 220MA MLC SCHEMACHANMAX INTEL CSD SERIES	6-85-D400B-100	
17	HEATSH. SH. 220MA MLC SCHEMACHANMAX INTEL CSD SERIES	6-85-D401T-500	
17	HEATSH. SH. 220MA MLC SCHEMACHANMAX INTEL CSD SERIES	6-85-D404J-100	
17	HEATSH. SH. 220MA MLC SCHEMACHANMAX INTEL CSD SERIES	6-85-D4000-200	
18	TOP CASE POSITIVE TOP FOR V940AU100-003-10	4-77-W545F-7000	
18	TOP CASE POSITIVE TOP FOR V940AU100-003-4L	4-77-W545F-9400	
18	TOP CASE POSITIVE TOP FOR V940AU100-003-5G	6-88-P3702-9400	
18	TOP CASE POSITIVE TOP FOR V940AU100-003-6M	6-88-P3702-7000	
18	TOP CASE POSITIVE TOP FOR V940AU100-003-7T	6-88-P6502-4E70	
18	TOP CASE POSITIVE TOP FOR V940AU100-003-22M	6-88-P6502-4E70	
18	TOP CASE POSITIVE TOP FOR V940AU100-003-22M	6-88-P25W7-4200	
18	TOP CASE POSITIVE TOP FOR V940AU100-003-22M	6-88-W230F-4210	
19	TOP CASE MYLAR TONY CARBON CONFORMING V940TU	6-40-W9402-020	
20	SCREW MESHAL KI BZ ICT NY	6-35-B6125-4R0	
21	W/D HDD ASSY W940TU	6-79-W940TU0J-000	
21	W/D HDD ASSY W940TU	6-79-W940TU0J-000	
22	MILAR TRANSPARENT CONFORMING FIBROSM	6-40-W3402-020	
23	TOUCH PAD SYNAPTICS TM-014C-003 MULTI-GE5	6-49-C4802-010	
24	TFE CABLE FOR TOUCH PAD TONY CARBON FOR V940TU	6-43-W9402-011	
25	TV TUNER BRACKET CSUS304 V940TU	6-33-W9402-02E	
26	DIGITAL TV TUNER AVMEDIA SVV A85T V940TU	6-88-W9407-4600	
27	POWER SWITCH BOARD V30 W940SUI	6-77-W54KS-003-A	
28	TFE CABLE FOR HARBOR TO HVB FROM ON HP L03 V94TU	6-43-W5470-021-2	
29	AUDIO BOARD V18A V940SUI2	6-77-W9S28-001A	
30	SPEAKABLE L. COY. LAY. RY. VSHHTU CANGSQU M2DENO	6-23-W940-01L-1	
31	TFE CABLE FOR PAPER DIBO TO HVB FROM HP V940TU	6-43-W9400-011	
32	HEATSH. SH. 220MA MLC SCHEMACHANMAX INTEL CSD SERIES	6-88-S210W-8810	
32	HEATSH. SH. 220MA MLC SCHEMACHANMAX INTEL CSD SERIES	6-88-W3306-8830	
32	HEATSH. SH. 220MA MLC SCHEMACHANMAX INTEL CSD SERIES	6-88-W3306-8841	
33	MILAR TRANSPARENT CONFORMING FIBROSM	6-77-W84AG-001	
34	MILAR TRANSPARENT CONFORMING FIBROSM	6-40-W7402-080	
35	ALUMINUM FTAIL (85X77X13) W940AU	6-47-W94A2-010	ONLY FOR LTE-R
36	TOP CASE POSITIVE TOP FOR V940AU100-003-10	6-23-W9500-030	
37	TOP CASE MYLAR TONY CARBON CONFORMING V940TU	6-40-W9512-010	FOR ANTENNA LTE-1

Figure A - 1
Top - Positivo
(W940AU)

Top - Positivo (W941AU)

Figure A - 2
Top - Positivo
(W941AU)



ITEM	PART NAME	PART NO	REMARK
1	TOP CASE MODULE OPPOSITE/D W941U-1	6-88-V9400-331-1P	
2	TOP CASE MODULE OPPOSITE/D W941U-1	6-39-V9412-011-P	
3	SHOCKABLE C CSD LOW BT W941U CARBON FIBER/NO	6-23-5V940-0L1-1	
4	WIRE CABLE FOR TV TUNER BOARD TO W941U KIT W941U	6-43-W940T-031	
5	GPU SUPPORTER FOR NVIDIA POWER SDC VISION	6-33-W500S-011	
6	W941U CPU SUPPORTER TO CPU W941U KIT W941U	6-77-V94000-303-04	
6	W941U CPU SUPPORTER TO CPU W941U KIT W941U	6-77-V94000-303-04	
6	W941U CPU SUPPORTER TO CPU W941U KIT W941U	6-77-V94000-303-04	
6	W941U CPU SUPPORTER TO CPU W941U KIT W941U	6-77-V94000-303-04	
7	BATTERY 3V 220mAh B08C220228 KIT/S	6-23-6A2B2-030	
8	FAN BRACKET SECCO/0.8MM W940SU	6-33-W91S1-012	
9	SCREW M2X4L KI NI ICT NY (D=4.5,D1=4.4)	6-35-B112S-3RE	
10	FAN MODULE W25H10	6-31-W25HS-100	
11	SCREW M2X4L KI BZ ICT NY	6-35-B6120-4RA	
12	CPU HEATSINK MODULE W540SU12	6-31-W552N-103	
13	MIP S1U 11.25V/0.9A 20P DRIVES S09025 4.0V W941U	6-87-V940S-424E	OPTION
13	MIP S1U 11.25V/0.9A 20P DRIVES S09025 2.0V W941U	6-87-V940S-48F1	OPTION
13	MIP S1U 11.25V/0.9A 20P DRIVES S09025 2.0V W941U	6-87-V940S-48F-1	OPTION
13	MIP S1U 11.25V/0.9A 20P DRIVES S09025 2.0V W941U	6-87-V940S-4U41	OPTION
13	MIP S1U 11.25V/0.9A 20P DRIVES S09025 2.0V W941U	6-87-V940S-4UF1	OPTION
13	MIP S1U 11.25V/0.9A 20P DRIVES S09025 2.0V W941U	6-87-V940S-4UF-1	OPTION
13	MIP S1U 11.25V/0.9A 20P DRIVES S09025 2.0V W941U	6-87-V940S-427E	OPTION
14	SCREW M2.5X4L K BZ ICT NY	6-35-B812S-6RA	
15	SCREW M2.5X4L KI NI ICT NY	6-35-B112S-5RA	
16	TOP CASE MILAR CASE CARBON FIBER/NO W941U	6-40-W9402-020	
17	TOP CASE MILAR CASE 40X20X0.8MM W940SU	6-40-W912-010	FOR ANTENNA FEED
18	TOP KIT SCREW MILAR CASE 40X20 W941U	6-40-W9412-010	
19	TAPE MILAR TRANSPARENT CONDUCTIVE PAPER	6-40-P1803-020	
20	SCREW M2.5X4L KIT-B5 D=4.5 BZ/2 ICT NY	6-35-B612S-4R0	
21	W/D HDD ASS'Y W940TU	6-79-W940TUJ-400	
21	W/D HDD ASS'Y W940TU	6-79-W940TUJ-400	
22	HEAT SINK THERMAL CONDUCTIVE MILAR/0.8MM/0.8MM	6-40-W3402-020	
23	TUNER PAD COMPACTS TR-BK-403 MULTI-KEY	6-49-C4302-010	
24	WIRE CABLE FOR TUNER PAD TO W941U KIT W941U	6-43-W9402-011	
25	TV TUNER BRACKET (CSD) W941U	6-33-V9402-022	
26	DIGITAL TV TUNER AVERMEDIA SAV W941U	6-88-V940T-4600	
27	POWER SWITCH BOARD V30 W940SU	6-77-V54KS-003-A	
28	WIRE CABLE FOR AUDIO BOARD TO W941U KIT W941U	6-43-W5470-021-B	
29	AUDIO BOARD VIA W940SU12	6-77-V9328-001A	
30	SHOCKABLE C CSD LOW BT W941U CARBON FIBER/NO	6-23-5V940-0R1-1	
31	WIRE CABLE FOR POWER BOARD TO W941U KIT W941U	6-43-W9400-011	
32	W941U KIT W941U KIT W941U KIT W941U KIT W941U KIT	6-23-W9951-011	
33	SCREW M2X4L KIT-B5 D=4.0 BZ/2 ICT NY	6-35-B6120-5R0	
34	W941U KIT W941U KIT W941U KIT W941U KIT W941U KIT	6-88-V545F-7000	OPTION
34	W941U KIT W941U KIT W941U KIT W941U KIT W941U KIT	6-88-V545F-9400	OPTION
34	W941U KIT W941U KIT W941U KIT W941U KIT W941U KIT	6-88-P3702-9400	OPTION
34	W941U KIT W941U KIT W941U KIT W941U KIT W941U KIT	6-88-P3702-7000	OPTION
34	W941U KIT W941U KIT W941U KIT W941U KIT W941U KIT	6-88-V25WF-4200	OPTION
34	W941U KIT W941U KIT W941U KIT W941U KIT W941U KIT	6-88-W230F-4210	OPTION
34	W941U KIT W941U KIT W941U KIT W941U KIT W941U KIT	6-88-P6502-4240	OPTION
34	W941U KIT W941U KIT W941U KIT W941U KIT W941U KIT	6-88-P6502-4270	OPTION
35	W941U KIT W941U KIT W941U KIT W941U KIT W941U KIT	6-85-D400C-Z01	
35	W941U KIT W941U KIT W941U KIT W941U KIT W941U KIT	6-85-D4000-100	
35	W941U KIT W941U KIT W941U KIT W941U KIT W941U KIT	6-85-D4000-100	
35	W941U KIT W941U KIT W941U KIT W941U KIT W941U KIT	6-85-D405B-100	
35	W941U KIT W941U KIT W941U KIT W941U KIT W941U KIT	6-85-D4011-S00	
35	W941U KIT W941U KIT W941U KIT W941U KIT W941U KIT	6-85-D404J-100	
35	W941U KIT W941U KIT W941U KIT W941U KIT W941U KIT	6-85-D400C-Z00	
36	TAPE MILAR TRANSPARENT CONDUCTIVE W940SU	6-40-W25P1-010	
37	WIRE CABLE FOR KEY BOARD TO W941U KIT W941U	6-77-V9444C-101	
38	W941U KIT W941U KIT W941U KIT W941U KIT W941U KIT	6-88-S210V-8810	OPTION
38	W941U KIT W941U KIT W941U KIT W941U KIT W941U KIT	6-88-V3306-8830	OPTION
38	W941U KIT W941U KIT W941U KIT W941U KIT W941U KIT	6-88-V3306-8841	OPTION

Top - Stand (W941AU)

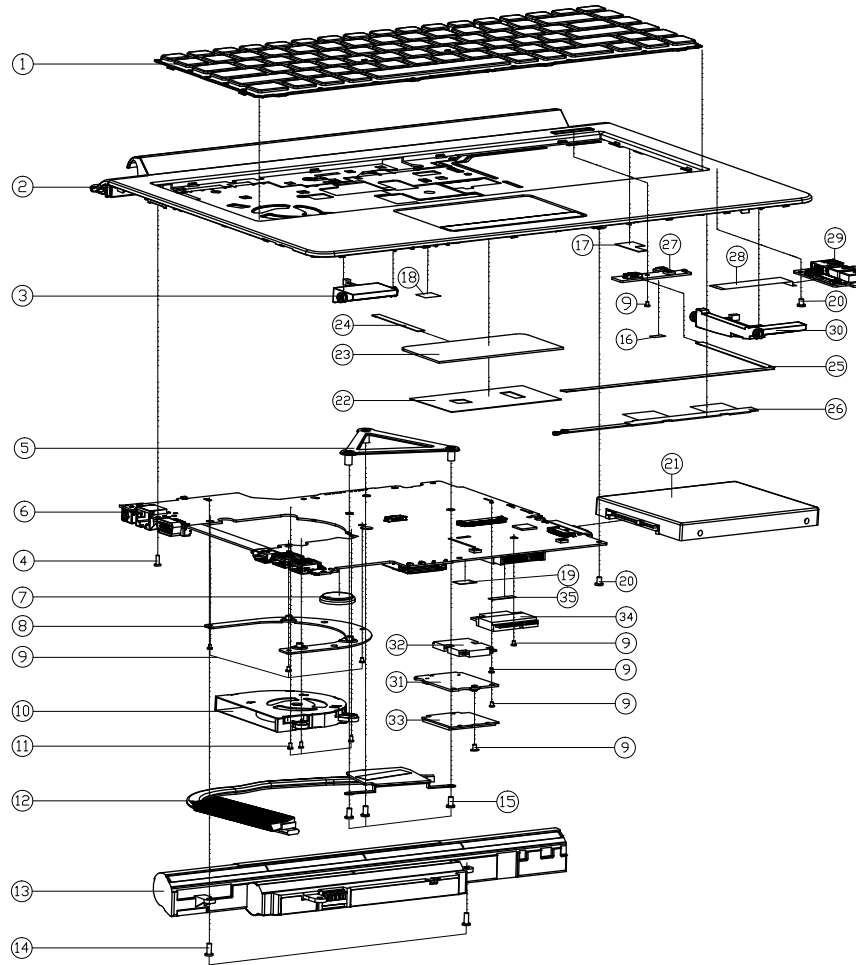


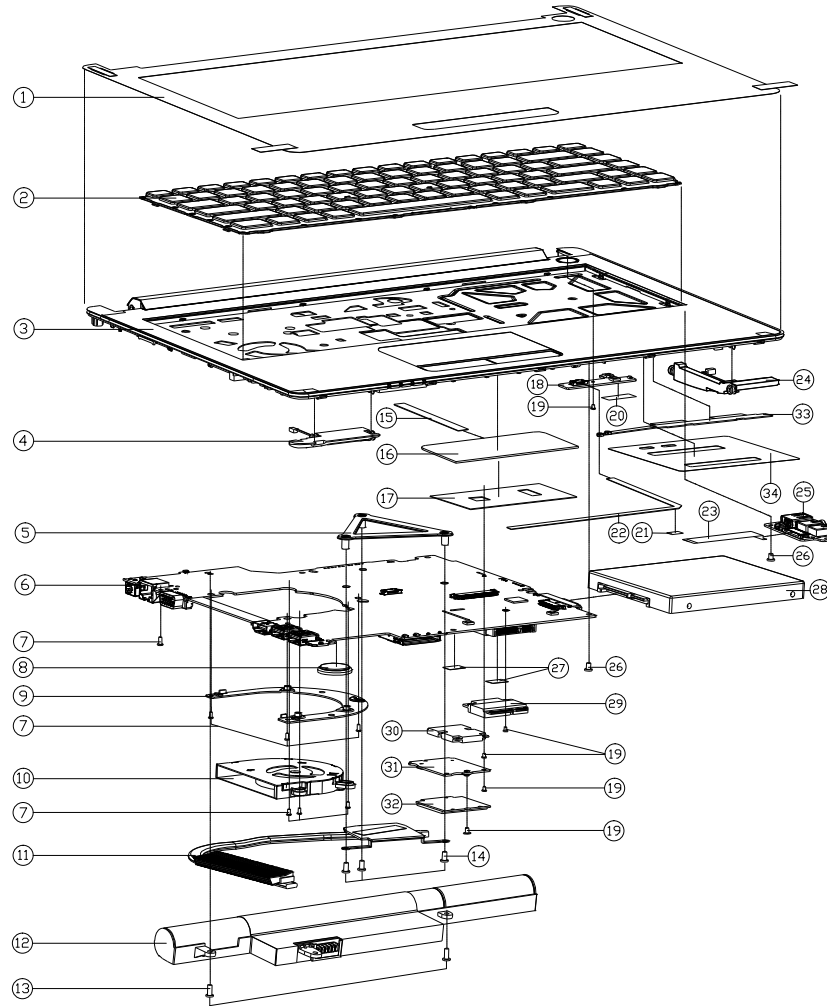
Figure A - 4
Top - Stand
(W941AU)

A.Part Lists

ITEM	PART NAME	PART NO	REMARK
1	W/O K7A USWILACKA FRAMCSDI MODULE W940S2	6-77-W940SUK-010-W	
2	TOP CASE MODULE W941TU-T	6-39-W9412-011	
3	SPK/CABLE L CD IN BY W940U COMSDI TUCSDI	6-23-W940-011-1	
4	SCREW M2X4L KI-F-40 B-40 BK/Z ICT NY	6-35-B6120-5R0	
5	CPU SUPPORTER FOR HARD WEVER SEC2 W539AM	6-33-W150S-011	
6	W/O CPU SUPPORTER FOR CPU W940U W940U-003-10	6-77-W940U00-003-10	
6	W/O CPU SUPPORTER FOR CPU W940U W940U-003-4L	6-77-W940U00-003-4L	
6	W/O CPU SUPPORTER FOR CPU W940U W940U-003-5G	6-77-W940U00-003-5G	
6	W/O CPU SUPPORTER FOR CPU W940U W940U-003-6M	6-77-W940U00-003-6M	
6	W/O CPU SUPPORTER FOR CPU W940U W940U-003-7F	6-77-W940U00-003-7F	
7	BATTERY 3V 220MA BBBCR2032B (KTS)	6-23-6A2B2-030	
8	FAN BRACKET SECCO8BMD W940SUI	6-33-W9S1S-012	
9	SCREW M2X4L KI NI ICT NY (00-045,011-04)	6-35-B1120-3RE	
10	FAN MODULE W251HUQ	6-31-W25HS-100	
11	SCREW M2X4L KI BZ ICT NY	6-35-B6120-4RA	
12	CPU HEATSINK MODULE W540SL2	6-31-W5S2N-103	
13	IMP S LU NAV/AMH SEP SWP/AT SWP/ATP 22W W940U	6-87-W940S-424E	OPTION
13	IMP S LU NAV/AMH SEP SWP/AT SWP/ATP 22W W940U	6-87-W940S-42F-1	OPTION
13	IMP S LU NAV/AMH SEP SWP/AT SWP/ATP 22W W940U	6-87-W940S-4U41	OPTION
13	IMP S LU NAV/AMH SEP SWP/AT SWP/ATP 22W W940U	6-87-W940S-4UF-1	OPTION
14	SCREW M2.5X6L K BZ ICT NY	6-35-B6125-6RA	
15	SCREW M2.5X6L KI NI ICT NY	6-35-B1125-5RA	
16	TOP CASE MYLAR SONY GAINI COMSDI2 W940U	6-40-W9402-020	
17	TOP CASE MYLAR TESA KRESI COMSDI2 W940U	6-40-W9412-010	
18	TOP CASE MYLAR TESA KRESI COMSDI2 W940U	6-40-W9S12-010	FOR ANTENNA LTE+1**
19	TAPE MYLAR TRANSPARENT COMSDI2 W25PFD	6-40-P1803-020	
20	SCREW M2.5X4L KI-F-40 B-40 BK/Z ICT	6-35-B6125-4RA	
21	W/O HDD ASS'Y W940TU	6-79-W940TUJ-010	
21	W/HDD ASS'Y W940TU	6-79-W940TUJ-020	
22	MYLAR FOR TOUCHPAD TRANSPARENT W940S2 W940S2	6-40-W3402-020	
23	TOUCH PAD SYMPATICS TM-01146-003 MULTI-RES	6-49-C4802-010	
24	FFC CABLE FOR TOUCH PAD 70W 60V 60W 90S W940U	6-43-W9402-011	
25	FFC CABLE FOR POWER BOARD TO W/O FROM GAV IP HD W940U	6-43-W9400-011	
26	MYLAR FOR CPU W/O W940S2 W940S2 W940S2	6-23-W9S1S-011	
27	POWER SWITCH BOARD V3.0 W940SUI	6-77-W54KS-003-A	
28	FFC CABLE FOR AUDIO BOARD TO W/O FROM GAV IP HD W940U	6-43-W5470-021-2	
29	AUDIO BOARD VIA W540SL2	6-77-W9S2B-001A	
30	SPK/CABLE R CD IN BY W940U COMSDI TUCSDI	6-23-W940-0R1-1	
31	W/O PCB TO MFT CARD FOR 3S OMDA VIA W940U-T	6-77-W84AG-001	
32	W/O PCB TO MFT CARD FOR 3S OMDA VIA W940U-T	6-88-S210W-8810	OPTION
32	W/O PCB TO MFT CARD FOR 3S OMDA VIA W940U-T	6-88-W3306-8830	OPTION
32	W/O PCB TO MFT CARD FOR 3S OMDA VIA W940U-T	6-88-W3306-8841	OPTION
32	W/O PCB TO MFT CARD FOR 3S OMDA VIA W940U-T	6-88-W3306-8841	OPTION
33	MYLAR S33 2400 M/C COMSDI2 W940S2 W940S2	6-85-D4000-201	
33	MYLAR S33 2400 M/C COMSDI2 W940S2 W940S2	6-85-D4000-201	
33	MYLAR S33 2400 M/C COMSDI2 W940S2 W940S2	6-85-D4000-100	
33	MYLAR S33 2400 M/C COMSDI2 W940S2 W940S2	6-85-D405B-100	
33	MYLAR S33 2400 M/C COMSDI2 W940S2 W940S2	6-85-D401T-500	
33	MYLAR S33 2400 M/C COMSDI2 W940S2 W940S2	6-85-D404J-100	
33	MYLAR S33 2400 M/C COMSDI2 W940S2 W940S2	6-85-D4000-200	
34	W/O PCB TO MFT CARD FOR 3S OMDA VIA W940U-T	6-88-P6502-4240	OPTION
34	W/O PCB TO MFT CARD FOR 3S OMDA VIA W940U-T	6-88-P6502-4270	OPTION
34	W/O PCB TO MFT CARD FOR 3S OMDA VIA W940U-T	6-88-W54SF-7000	OPTION
34	W/O PCB TO MFT CARD FOR 3S OMDA VIA W940U-T	6-88-W54SF-9400	OPTION
34	W/O PCB TO MFT CARD FOR 3S OMDA VIA W940U-T	6-88-P3702-9400	OPTION
34	W/O PCB TO MFT CARD FOR 3S OMDA VIA W940U-T	6-88-P3702-7000	OPTION
34	W/O PCB TO MFT CARD FOR 3S OMDA VIA W940U-T	6-88-W25VF-4200	OPTION
34	W/O PCB TO MFT CARD FOR 3S OMDA VIA W940U-T	6-88-W230F-4210	OPTION
35	TAPE MYLAR TRANSPARENT COMSDI2 W25PFD	6-40-W25P3-010	

A - 6 Top - Stand (W941AU)

Top (W945AUQ)



ITEM	PART NAME	PART NO	REMARK
1	TOP CASE PROTECT MYLAR COVER(ON 8973) W945AU	6-40-W9452-060	
2	W/O K/B USA BLACK FRAME (103) MIDDLE W945AU	6-79-W945A00K-010-W	
3	TOP CASE MIDDLE W945KUQ	6-39-W9452-013	
4	SPK-CABLE L (2) LW BY W945TU CHANGSU YUENING	6-23-5W940-0LL-1	
5	CPU SUPPORTER FOR HARMON RIVER SECC W505AHM	6-33-W150S-011	
6	W/O H/W CPU SUPPORTER FOR CPU AND 3.5" HDD (ON 8973) W945AU	6-77-W945A000-003-IP	
6	W/O H/W CPU SUPPORTER FOR CPU AND 3.5" HDD (ON 8973) W945AU	6-77-W945A000-003-2K	
7	SCREW M2X4L KI BZ ICT NY	6-35-B6120-4RA	
8	BATTERY 3V 220MA BB0CR2002B (KTS)	6-23-6A2B2-030	
9	FAN BRACKET SECC(0.8MM) W940SLU	6-33-W9S1S-012	
10	FAN MODULE W25IHUQ	6-31-W25HS-100	
11	CPU HEATSINK MODULE W540SL2	6-31-W5S2N-103	
12	W/O H/W CPU SUPPORTER FOR CPU AND 3.5" HDD (ON 8973) W945AU	6-87-W945S-42L1	
12	W/O H/W CPU SUPPORTER FOR CPU AND 3.5" HDD (ON 8973) W945AU	6-87-W945S-42F1	
13	SCREW M2.5X4L K BZ ICT NY	6-35-B2125-6RA	
14	SCREW M2.5X5L KI NI ICT NY	6-35-B1125-5RA	
15	FFC CABLE FOR TOUCH PAD 70MM 6PIN 6PIN (RD) W945TU	6-43-W9402-011	
16	TOUCH PAD SYNAPTICS TM-0146-003 MULT-GE5	6-49-C4802-010	
17	MYLAR FOR TOUCHPAD TRANSPARENT MYLAR(TE5800S) VANDU	6-40-W3402-020	
18	POWER SWITCH BOARD V3.0 W950SL2	6-77-W54KS-003-B	
19	SCREW M2X4L KI NI ICT NY (08-845.0T-84)	6-35-B1120-3RE	
20	TOP CASE MYLAR BODY G400 (089025) W945TU	6-40-W9402-020	
21	TAPE MYLAR TRANSPARENT (20MMX100S) P3080A	6-40-P1803-020	
22	FFC CABLE FOR POWER BOARD TO W/O 2PIN (AV) (P) RD) W945TU	6-43-W5470-011	
23	FFC CABLE FOR AUDIO BOARD TO W/O 2PIN (AV) (P) RD) W945TU	6-43-W5470-021-2	
24	SPK-CABLE R (2) LW BY W945TU CHANGSU YUENING	6-23-5W940-0R1-1	
25	AUDIO BOARD V1.0A W940SL2	6-77-W9S2B-001A	
26	SCREW M2.5X4L KI(CT=0.5 D=4.5) BK/Z ICT	6-35-B6125-4R0	
27	TAPE MYLAR TRANSPARENT (08X100S) W25HP0	6-40-W25P3-010	
28	W/O HDD ASS'Y W940TU	6-79-W940TU0J-010	
28	W/HDD ASS'Y W940TU	6-79-W940TU0J-080	
29	W/O H/W CPU SUPPORTER FOR CPU AND 3.5" HDD (ON 8973) W945AU	6-88-W545F-7000	
29	W/O H/W CPU SUPPORTER FOR CPU AND 3.5" HDD (ON 8973) W945AU	6-88-W545F-9400	
29	W/O H/W CPU SUPPORTER FOR CPU AND 3.5" HDD (ON 8973) W945AU	6-88-P3702-9400	
29	W/O H/W CPU SUPPORTER FOR CPU AND 3.5" HDD (ON 8973) W945AU	6-88-P3702-7000	
29	W/O H/W CPU SUPPORTER FOR CPU AND 3.5" HDD (ON 8973) W945AU	6-88-W25VF-4200	
29	W/O H/W CPU SUPPORTER FOR CPU AND 3.5" HDD (ON 8973) W945AU	6-88-W230F-4200	
29	W/O H/W CPU SUPPORTER FOR CPU AND 3.5" HDD (ON 8973) W945AU	6-88-W230F-4210	
29	W/O H/W CPU SUPPORTER FOR CPU AND 3.5" HDD (ON 8973) W945AU	6-88-P6502-4240	
29	W/O H/W CPU SUPPORTER FOR CPU AND 3.5" HDD (ON 8973) W945AU	6-88-P6502-4270	
29	W/O H/W CPU SUPPORTER FOR CPU AND 3.5" HDD (ON 8973) W945AU	6-88-P6502-4280	
30	MSATA3 SSD 8GB MLC S500S400MAXX INTEL (520 SERIES)	6-85-D40C0-Z01	
30	MSATA3 SSD 4GB MLC S500S400MAXX INTEL (520 SERIES)	6-85-D40C0-Z01	
30	MSATA3 SSD 8GB MLC S500S400MAXX INTEL (520 SERIES)	6-85-D40C0-100	
30	MSATA3 SSD 8GB MLC S500S400MAXX INTEL (520 SERIES)	6-85-D405B-100	
30	MSATA3 SSD 8GB MLC S500S400MAXX INTEL (520 SERIES)	6-85-D401T-500	
30	MSATA3 SSD 4GB MLC S500S400MAXX INTEL (520 SERIES)	6-85-D404J-100	
30	MSATA3 SSD 8GB MLC S500S400MAXX INTEL (520 SERIES)	6-85-D4000-Z00	
31	MEMO PCE. TO NEFF CARD FOR 3G MEMO V1.0 W945AU-T	6-77-W84AG-D01	
32	LE 4 IN 1 PC (M) MICROPHONE (1) FOR 3.5MM (1) FOR 3.5MM (1) FOR 3.5MM (1) FOR 3.5MM	6-88-W3306-8830	
32	W/O H/W CPU SUPPORTER FOR CPU AND 3.5" HDD (ON 8973) W945AU	6-88-W3306-8840	
32	W/O H/W CPU SUPPORTER FOR CPU AND 3.5" HDD (ON 8973) W945AU	6-88-S210V-8810	
33	ALUMINUM FOOT (85*77*10.13) W940AU	6-23-7W950-030	
34	ALUMINUM FOOT (85*77*10.13) W940AU	6-47-W94A2-010	ONLY FOR LTE-2

Figure A - 5
Top (W945AUQ)

LCD (W940AU)

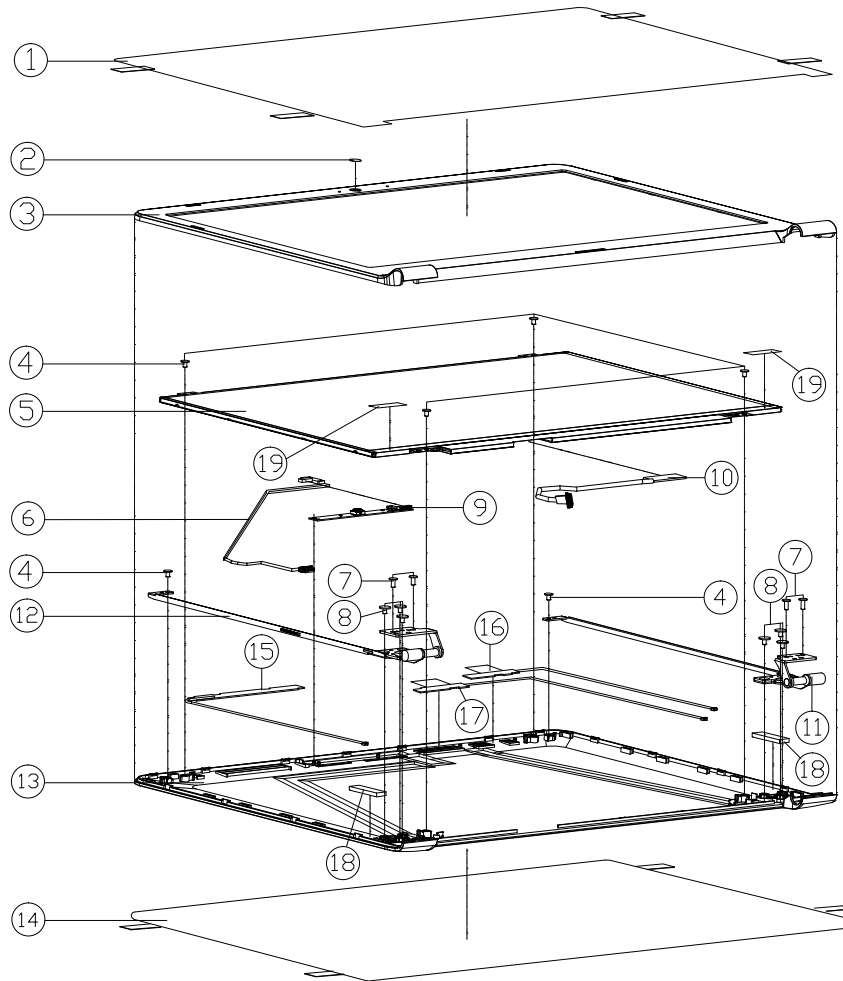


Figure A - 6
LCD (W940AU)

A.Part Lists

ITEM	PART NAME	PART NO	REMARK
1	LCD FRONT COVER PROTECTION MYLAR (PET+PMMA) (設置) CS60	6-40-C4501-011	
2	CCD LENS (VIEWING AREA 4MMX3MM)W940TU	6-42-W9401-020	OPTION
3	LCD FRONT COVER MODULE (CHANGE)W940TU	6-39-W9401-012	
4	SCREW M2X3L K1 NI ICT NY (D=0.45,D1=0.4)	6-35-B1120-3RE	
5	LCD 14.0" HD (CCP) GLARE TYPE BMDLUX N40FG-E43 (LED) 36MM	6-50-J8136-V03	
5	LCD 14.0" HD LG (GLARE TYPE) LP140WB-TLAI (LED) 36MM	6-50-J8136-LOE	
5	LCD 14.0" HD (CCP)GLARE TYPE BDC H840V01-301 (LED) 36MM	6-50-J8136-Z01	
5	LCD 14.0" HD+ CHMCT N40FG-E42 (LED) 30MM (CCP)	6-50-JA130-D00	
6	WIRE CABLE FOR CCD 8P8 305MM (GL) W940TU	6-43-W940T-021	
7	SCREW M2.5X6L K BZ ICT NY	6-35-B2125-6RA	ONLY FOR 一般
7	SCREW M2.5X4L K1CT=0.5 D=4.5) BK/Z ICT	6-35-B6125-4R0	ONLY FOR POSITIVE
8	SCREW M2X2L K1 BK/Z ICT NY(0.6,T=0.6)	6-35-B6120-2RE	
9	IOC CAMERA BODY FOR BRACKET 30 IN HD HIND HZ V940U F1665 V4E3 V940C	6-88-W940C-4902	OPTION
9	IOC CAMERA CHROMY F10 OUTRIG 30 IN HD HIND HZ V940U F1665 V4E3 V940C	6-88-W977C-5100	OPTION
9	IOC CAMERA BODY FOR BRACKET 30 IN HD HIND HZ V940U F1665 V4E3 V940C	6-88-W940C-4901	OPTION
9	IOC CAMERA CHROMY F10 OUTRIG 30 IN HD HIND HZ V940U F1665 V4E3 V940C	6-88-W940C-5100	OPTION
10	WIRE CABLE FOR LVDS 177MM 19V 30PM GL/V COM/VISOR-22-HF W940TU	6-43-W9401-011-N	
10	WIRE CABLE FOR EXP 177MM 19V 30PM GL/V COM/VISOR-22-HF W940TU	6-43-W9401-020-N	
11	LCD HINGE R (SK7) (SUS430) (CHANGE BRACKET)W940TU	6-33-W9401-0R4	
12	LCD HINGE L (SK7) (SUS430) (CHANGE BRACKET) W940TU	6-33-W9401-0L4	
13	LCD BACK COVER MODULE W940TU	6-39-W9401-022	
13	LCD BACK COVER MODULE W940TU-C	6-39-W9401-022-C	
14	LCD BACK COVER PROTECT MYLAR PET (CO) FOR POSITIVE BEP W940TU	6-40-W9401-020-A	
15	ANTENNA 3GALE WGT 36 PCB 016/06/15/06/15/06/22/06 L=50MM W940TU	6-23-7W9S1-020	
16	ANTENNA WLAN WGT WLT PCB 24G/50HZ WLT=650MM W940AU	6-23-7W94A-010	
17	ANTENNA WLAN WGT WLT PCB 24G/50HZ WLT=650MM W940AU	6-23-7W94A-020	
18	MYLAR(12*2*0.75T) FOR W940SU2	6-40-00150-12D	
19	REVERSIBLE(CS54*0.15 5000S) FOR W940SU2	6-40-W94SU-010	

LCD (W941AU)

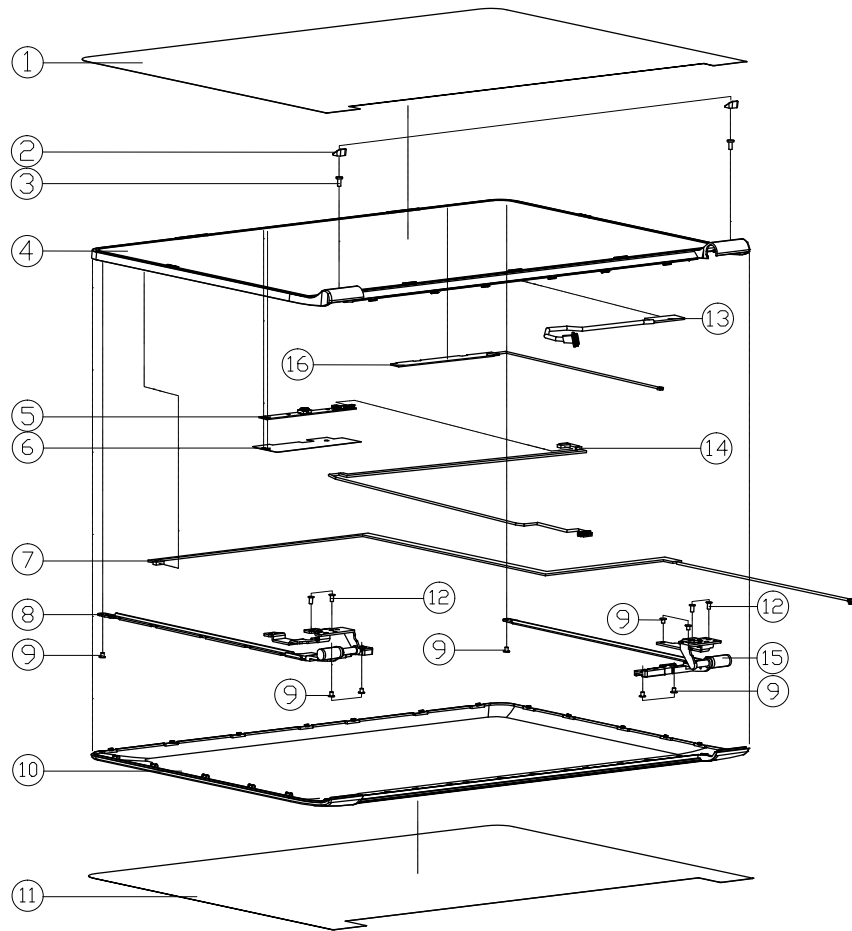


Figure A - 7
LCD (W941AU)

ITEM	PART NAME	PART NO	REMARK
1	LCD FRONT COVER PROTECTION MYLAR (PET+3MB95S) (設置) CAS50	6-40-C4501-011	
2	FRONT COVER SCREW RUBBERT SILICONE W941TU-T	6-47-W9418-010	
3	SCREW M2*5L K1KT=0.8 D=4.0 BK/Z ICT NY	6-35-B6120-5R0	
4	LCD PANEL HD GI LG (PVAH2-FL30+HDC+PANEL+AGITO V0+FRONT COVER ASSY V9401-T OPTD)	6-50-W9411-L12	
4	LCD PANEL HD GI LG (PVAH2-FL30+HDC+PANEL+AGITO+FRONT COVER ASSY V9401-T OPTD)	6-50-W9411-L21	
5	UVC CAMERA BEZEL FIX IMPVMENT-300 IN HD HINX 62 W940U FW668 WLED W9-MC	6-88-W940C-4902	OPTION
5	UVC CAMERA CHOCZY FIX CMTR21 300K HINX 62 W940U FW659 WLED W9-MC	6-88-W97TC-5100	OPTION
5	UVC CAMERA BEZEL FIX IMPVMENT-300 IN HD HINX 62 W940U FW665 WLED W9-MC	6-88-W940C-4901	OPTION
5	UVC CAMERA CHOCZY FIX CMTR66 300K HINX 62 W940U FW665 WLED W9-MC	6-88-W940C-5100	OPTION
6	CCD AL FOIL W941TU-T	6-47-W9411-031	
7	WIRE CABLE CONTROL BOARD (CNUS) 260MM SV SP W941TU-T	6-43-W9410-011-1	
8	LCD HINGE L (SK7+DIE-CASTING+SUS430) W941TU-T	6-33-W9411-0L1	
9	SCREW M2*3L K1 NI ICT NY (DD=0.45,DT=0.4)	6-35-B1120-3RE	
10	LCD BACK COVER MODULE W941TU-T	6-39-W9411-021	
11	BACK COVER PROTECTION MYLAR (BBS+3MB95S) W941TU-T	6-40-W9418-010	
12	SCREW M2.5*6L K BZ ICT NY	6-35-82125-6RA	
13	WIRE CABLE FOR LVDS 195MM (CNUS/LV CONN.V0340-212-HF) W941TU-T	6-43-W9411-011-1N	
14	WIRE CABLE FOR CCD 8P8 370MM 3.3V (HL) W941TU-T	6-43-W941T-011	
15	LCD HINGE R (SK7+DIE-CASTING+SUS430) W941T-T	6-33-W9411-0R1	
16	ANTENNA PEEM LTE WGT LTE1 PCB 076/050/150/150/210/260RZ LTE1-60MM W940U	6-23-7W94A-030	

LCD (W945AUQ)

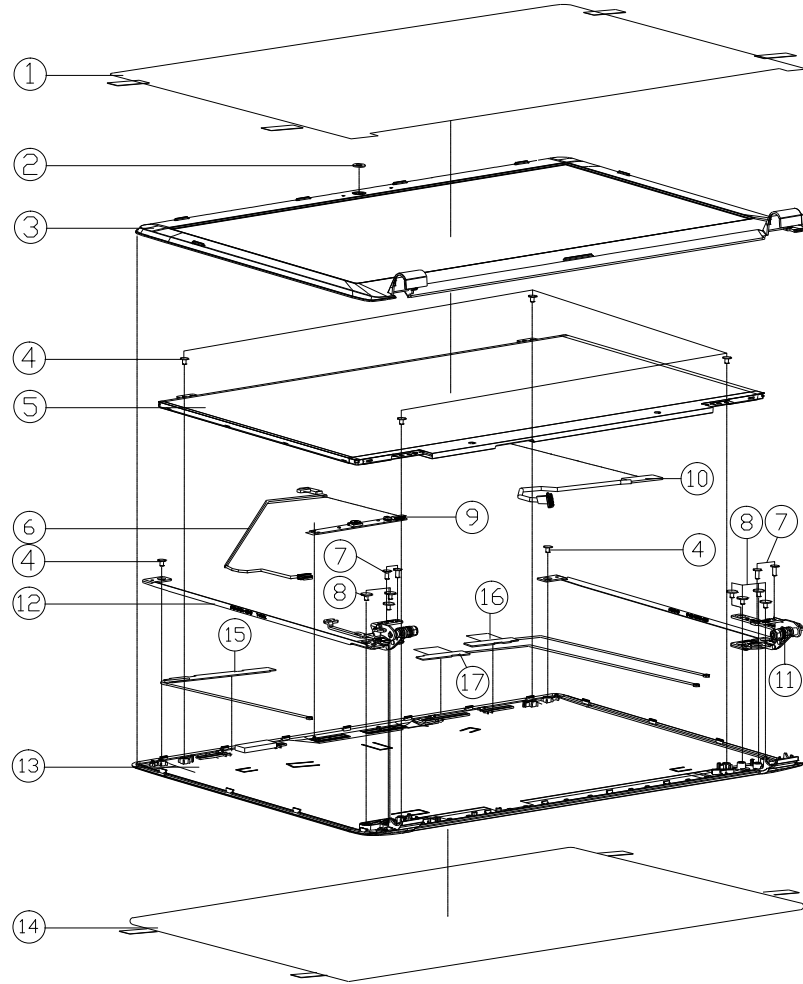
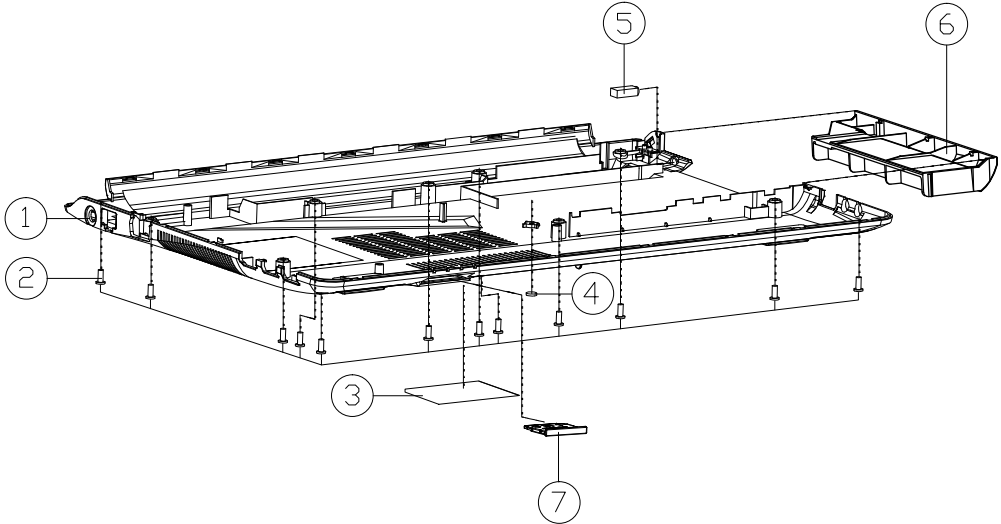


Figure A - 8
LCD (W945AUQ)

A.Part Lists

ITEM	PART NAME	PART NO	REMARK
1	LCD FRONT COVER PROTECTION MYLAR (PET-0805S) (設置) (C50)	6-40-C4501-011	
2	CCD LENS PMMA W450SHQ	6-42-WA501-020	OPTION
3	LCD FRONT COVER MODULE W945KUQ	6-39-W9451-012	
4	SCREW M2*3L KI NI ICT NY (DD=04.5,DT=04)	6-35-B1120-3RE	
5	LCD 14.0" HD LG (GLARE TYPE) LP140WHB-TLAI (LED) 36MM	6-50-J8136-LOE	
5	LCD 14.0" HD EDP/GLARE TYPE DEE H8140WX1-301 (LED) 36MM	6-50-J8136-Z01	
5	LCD 14.0" HD+ CHIMEI N140FGE-EA2 (LED) 30MM (EDP)	6-50-JA130-D00	
5	LCD 14.0" HD (E3P) GLARE TYPE INNOVIX N140GE-E43 (LED) 36MM	6-50-J8136-V03	
6	WIRE CABLE FOR CCD 0P8 305MM 3.3V 0PIN (CNUS) W940TU	6-43-W940T-021-1	
7	SCREW M2.5*6L K BZ ICT NY	6-35-82125-6RA	
8	SCREW M2*2L KI BK/Z ICT NY(08,T=0.6)	6-35-B6120-2RE	
9	UV CAMERA CHROM FIX ON 0802 30K HINDI H-704 V940TU F16581 V4ED V9-HIC	6-88-W97TC-5100	OPTION
9	UV CAMERA B23M FIX ON 0802 30K HINDI H-704 V940TU F1668 V4ED V9-HIC	6-88-W940C-4902	OPTION
9	UV CAMERA CHROM FIX ON 0806 30K HINDI H-704 V940TU F1665 V4ED V9-HIC	6-88-W940C-5100	OPTION
10	WIRE CABLE FOR LVDS 177MM 19V 30PIN 04L/V CONN.V0340-202-HF V940TU	6-43-W9401-011-N	
10	WIRE CABLE FOR EDP 177MM 04L/V CONN.V03140-202-HF V940TU	6-43-W9401-020-N	
11	HINGE R (SUS430+SK7) SINHER W945KUQ	6-33-W9451-0R1	
12	HINGE L (SUS430+SK7) SINHER W945KUQ	6-33-W9451-0L1	
13	LCD BACK COVER MODULE W945KUQ	6-39-W9451-022	
13	LCD BACK COVER MODULE W945KUQ-C	6-39-W9451-022-C	
14	LCD BACK COVER PROTECT MYLAR PET W945KUQ	6-40-W9451-020	
15	ANTENNA PEVA LTE W/LI PCB 0.7G/0.9G/1.5G/2.0G/2.6G/L-50MM W940U	6-23-7W945-010	
16	ANTENNA WLAN W/LI PCB 2.4G/5GHz W/LI-65MM W940U	6-23-7W94A-010	
17	ANTENNA WLAN W/LI PCB 2.4G/5GHz W/LI-65MM W940U	6-23-7W94A-020	

Bottom - Dummy (W940AU/W941AU)

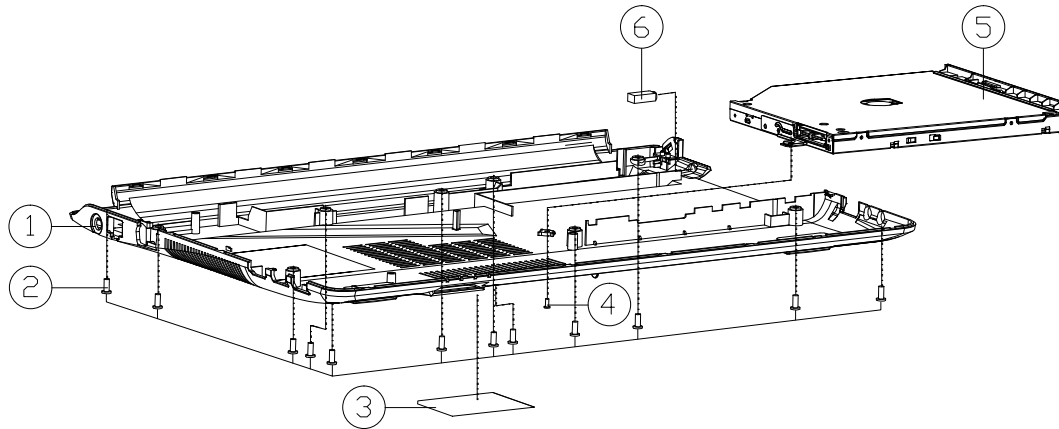


ITEM	PART NAME	PART NO	REMARK
1	BOTTOM CASE MODULE W940KU	6-39-W94K3-011	
1	BOTTOM CASE MODULE FOR W940TU-C	6-39-W9403-012-C	
1	BOTTOM CASE MODULE FOR W940TU	6-39-W9403-012	
1	BOTTOM CASE MODULE W940SU1	6-39-W9S13-010	
1	BOTTOM CASE MODULE W940SU1-C	6-39-W9S13-010-C	
2	SCREW M2.5X6L K BZ ICT NY	6-35-82125-6RA	
3	PRODUCT LABEL FOR W940SU1	6-45-W940SU13-010	
3	PRODUCT LABEL FOR W940KU	6-45-W940KU03-010	
3	PRODUCT LABEL FOR W940KW	6-45-W940KW03-010	
3	PRODUCT LABEL FOR W940TU	6-45-W940TU03-010	
3	PRODUCT LABEL FOR W940SU2	6-45-W940SU23-010	
3	PRODUCT LABEL FOR W941KU-T	6-45-W941KU13-010	
3	PRODUCT LABEL FOR W941KW-T	6-45-W941KW13-010	
3	PRODUCT LABEL FOR W941SU1-T	6-45-W941SU13-010-T	
3	PRODUCT LABEL FOR W941SU2-T	6-45-W941SU23-010-T	
3	PRODUCT LABEL FOR W941TU-T	6-45-W941TU13-010	
3	PRODUCT LABEL FOR W940TU-L	6-45-W940TU13-010	
3	PRODUCT LABEL FOR W940KU-L	6-45-W940KU13-010	
3	PRODUCT LABEL FOR W940AU	6-45-W940AU03-010	
3	PRODUCT LABEL FOR W941AU-T	6-45-W941AU13-010	
4	ODD RUBBER GELICON HARDNESS 60 BLACKO W940TU	6-47-W940Z-010	
5	TV RUBBER GELICON HARDNESS 60 BLACKO FOR W940TU	6-47-W940Z-041	
6	ODD DUMMY INEJUNPE-HABS INE3758X W940TU	6-42-W940Z-041	
7	DUMMY 20X NON PUSH TYPE PE-HABS (C728P-7010) W940TU	6-42-W9708-030	

Figure A - 9
Bottom - Dummy
(W940AU/
W941AU)

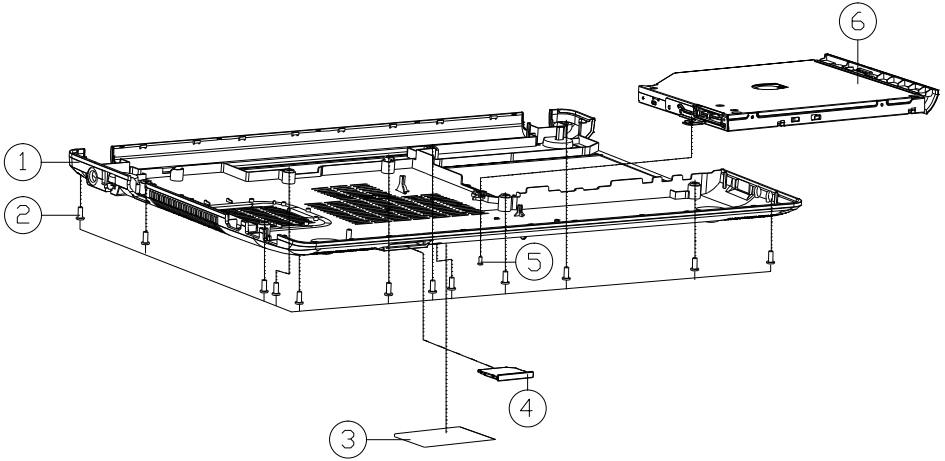
Bottom - ODD (W940AU/W941AU)

Figure A - 10
Bottom - ODD
(W940AU/
W941AU)



ITEM	PART NAME	PART NO	REMARK
1	BOTTOM CASE MODULE W940KU	6-39-W94K3-011	
1	BOTTOM CASE MODULE FOR W940U-C	6-39-W9403-012-C	
1	BOTTOM CASE MODULE FOR W940TU	6-39-W9403-012	
1	BOTTOM CASE MODULE W940SUI	6-39-W9S13-010	
1	BOTTOM CASE MODULE W940SUI-C	6-39-W9S13-010-C	
2	SCREW M2.5*6L K BZ ICT NY	6-35-B2125-6RA	
3	PRODUCT LABEL FOR W940SUI	6-45-W940SUI3-010	
3	PRODUCT LABEL FOR W940KU	6-45-W940KU03-010	
3	PRODUCT LABEL FOR W940KW	6-45-W940KW03-010	
3	PRODUCT LABEL FOR W940TU	6-45-W940TU03-010	
3	PRODUCT LABEL FOR W940SUI2	6-45-W940SUI23-010	
3	PRODUCT LABEL FOR W941KU-T	6-45-W941KU73-010	
3	PRODUCT LABEL FOR W941KW-T	6-45-W941KW73-010	
3	PRODUCT LABEL FOR W941SUI-T	6-45-W941SUI3-010-T	
3	PRODUCT LABEL FOR W941SUI2-T	6-45-W941SUI23-010-T	
3	PRODUCT LABEL FOR W941TU-T	6-45-W941TU3-010	
3	PRODUCT LABEL FOR W940TU-L	6-45-W940TU3-010	
3	PRODUCT LABEL FOR W940KU-L	6-45-W940KU3-010	
3	PRODUCT LABEL FOR W940AU-L	6-45-W940AU03-010	
3	PRODUCT LABEL FOR W941AU-T	6-45-W941AU73-010	
4	SCREW M2*4L KI BZ ICT NY	6-35-B6120-4RA	
5	SATA DVD SUPER MULTI ASSY (OPTIO)	6-79-W940TU00-000	(OPTIO)
5	SATA BLU-RAY COMBO ASSY (OPTIO)	6-79-W940SUI00-000	(OPTIO)
5	SATA DVD SUPER MULTI ASSY (OPTIO)	6-79-W940SUI00-000	(OPTIO)
5	SATA DVD SUPER MULTI ASSY (OPTIO)	6-79-W940AU00-000	(OPTIO)
5	W/O ODD ASS'Y W940TU	6-79-W940TU02-000	(OPTIO)
6	TV RUBBER GILSON WADDER 60 BLACK FOR VHF/U	6-47-W9403-041	FOR V/O TV TUNER

Bottom (W945AUQ)

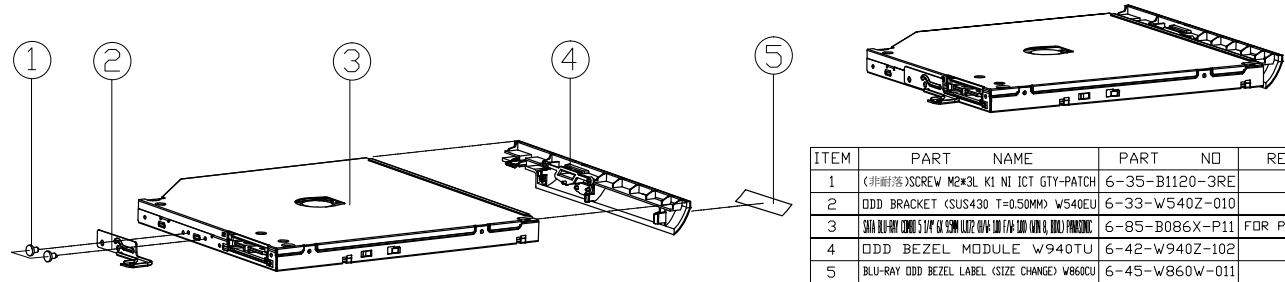


ITEM	PART NAME	PART NO	REMARK
1	BOTTOM CASE MODULE W945KUQ	6-39-W9453-011	
1	BOTTOM CASE MODULE W945KUQ-C	6-39-W9453-011-C	
1	BOTTOM CASE MODULE W945TUQ	6-39-W9453-T11	
2	SCREW M2.5*6L K BZ ICT NY	6-35-82125-6RA	
3	PRODUCT LABEL FOR W945KUQ	6-45-W945KUQ3-010	
3	PRODUCT LABEL FOR W945TUQ	6-45-W945TUQ3-010	
3	PRODUCT LABEL FOR W945SUW	6-45-W945SUW3-010	
3	PRODUCT LABEL FOR W945SUY	6-45-W945SUY3-010	
3	PRODUCT LABEL FOR W945AUQ	6-45-W945AUQ3-010	
4	DUMMY 3IN1 NON PUSH TYPE PC+HBS (C723P-700B) W970SUW	6-42-W9708-030	
5	SCREW M2*4L KI BZ ICT NY	6-35-B6120-4RA	
6	SATA DVD SUPER MULTI ASS'Y <OPTION>	6-79-W945KUQ0-000	<OPTION>
6	SATA BLU-RAY COMBO ASS'Y <OPTION>	6-79-W945SUW-010	<OPTION>
6	SATA BLU-RAY COMBO ASS'Y <OPTION>	6-79-W945SUY-010	<OPTION>
6	W/O ODD ASS'Y W945KUQ	6-79-W945KUQZ-000	<OPTION>

Figure A - 11
Bottom
(W945AUQ)

Combo

Figure A - 12
Combo



ITEM	PART NAME	PART NO	REMARK
1	(非耐熱)SCREW M2*3L K1 NI ICT GTY-PATCH	6-35-B1120-3RE	
2	ODD BRACKET (SUS430 T=0.50MM) W540EU	6-33-W540Z-010	
3	SATA BLU-RAY COMBO'S DAP GA SCOM KL02 H04G 100 TPA 1000 0.0. 0.000) PANASONIC	6-85-B086X-P11	FOR PANASONIC
4	ODD BEZEL MODULE W940TU	6-42-W940Z-102	
5	BLU-RAY ODD BEZEL LABEL (SIZE CHANGE) W860CU	6-45-W860W-011	

DVD Dual

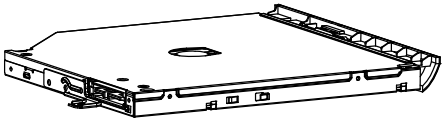
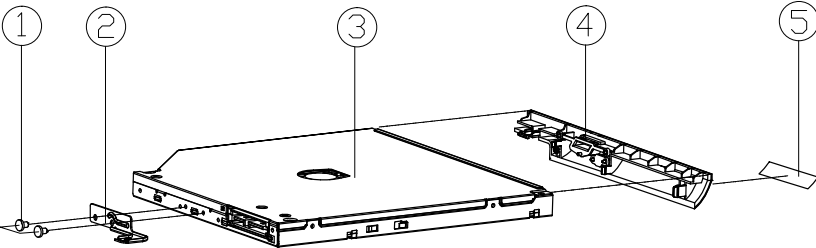
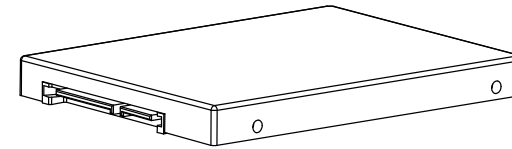
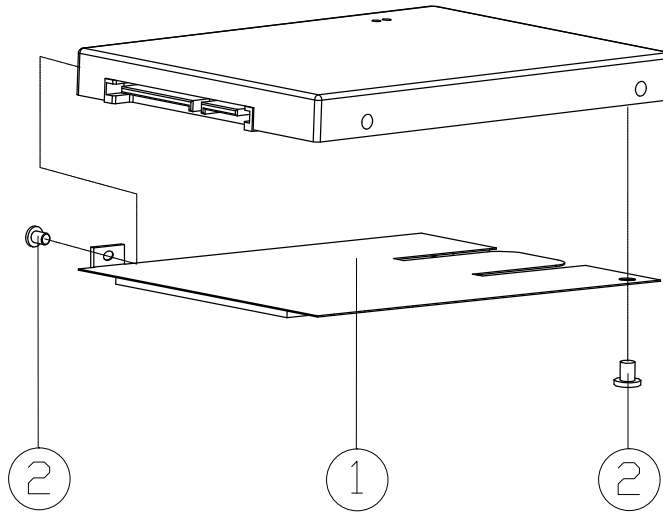


Figure A - 13
DVD Dual

ITEM	PART NAME	PART NO	REMARK
1	〈非耐落〉SCREW M2*3L K1 NI ICT GTY-PATCH	6-35-B1120-3RE	
2	DDD BRACKET (SUS430 T=0.50MM) W540EU	6-33-W540Z-010	
3	SATA DVD SUPER MULTI 5 LITE BK SCMM DR-200 DVD-R W/REZ 4.74 G/4.74 G/8.56 G/16.0 G/32.0 G	6-85-A088X-L03	FDR PLDS
3	SATA DVD SUPER MULTI 5 LITE BK SCMM DR-200 DVD-R W/REZ 4.74 G/4.74 G/8.56 G/16.0 G/32.0 G	6-85-A088X-T06	FDR TSST
3	SATA DVD SUPER MULTI 5 LITE BK SCMM DR-200 DVD-R W/REZ 4.74 G/4.74 G/8.56 G/16.0 G/32.0 G	6-85-A088X-P05	FDR PANASONIC
4	DDD BEZEL MODULE W940TU	6-42-W940Z-102	
5	SUPER MULTI DDD BEZEL LABEL (SIZE CHANGE)	6-45-W860Q-011	

HDD

Figure A - 14
HDD



ITEM	PART NAME	PART NO	REMARK
1	HDD MYLAR (PET0.25T+CR2030) W940TU	6-40-W940J-010	
2	SCREW M3*2.5L KI NI ICT NY	6-35-B1130-2R5	

Appendix B: Schematic Diagrams

This appendix has circuit diagrams of the **W940AU / W941AU / W945AUQ** notebook's PCB's. The following table indicates where to find the appropriate schematic diagram.

Diagram - Page	Diagram - Page	Diagram - Page
<i>System Block Diagram - Page B - 2</i>	<i>VGA PS8613 - Page B - 17</i>	<i>VCore - Page B - 32</i>
<i>Processor 1/7 - Page B - 3</i>	<i>LVDS PS8625 - Page B - 18</i>	<i>Charger, DC In - Page B - 33</i>
<i>Processor 2/7 - Page B - 4</i>	<i>USB Hub AU6259-JGF - Page B - 19</i>	<i>Audio Board - Page B - 34</i>
<i>Processor 3/7 - Page B - 5</i>	<i>Card Reader & LAN RTL8411B - Page B - 20</i>	<i>Audio Board - Page B - 35</i>
<i>Processor 4/7 - Page B - 6</i>	<i>HDMI, RJ45, Fan - Page B - 21</i>	<i>LID Switch Board - Page B - 36</i>
<i>Processor 5/7 - Page B - 7</i>	<i>WLAN, 3G, MSATA - Page B - 22</i>	<i>Power Switch Board - Page B - 37</i>
<i>Processor 6/7 - Page B - 8</i>	<i>Audio Codec ALC269 - Page B - 23</i>	<i>ODD Board - Page B - 38</i>
<i>Processor 7/7 - Page B - 9</i>	<i>USB 3.0, G-Sensor, TPM - Page B - 24</i>	<i>Power On Sequence - Page B - 39</i>
<i>Power 1 - Page B - 10</i>	<i>HDD, CCD, TPM, Power Con - Page B - 25</i>	
<i>Power 2 - Page B - 11</i>	<i>CCD, MIC, LID, I/O Connector - Page B - 26</i>	
<i>Power VSS - Page B - 12</i>	<i>HDD, ODD, LED - Page B - 27</i>	
<i>RSVD - Page B - 13</i>	<i>System Power - Page B - 28</i>	
<i>DDR3 SO-DIMM A - Page B - 14</i>	<i>VDD3, VDD5 - Page B - 29</i>	
<i>DDR3 SO-DIMM B - Page B - 15</i>	<i>ALC269Q, VT1802S - Page B - 30</i>	
<i>Panel, Inverter - Page B - 16</i>	<i>1.05V Series - Page B - 31</i>	

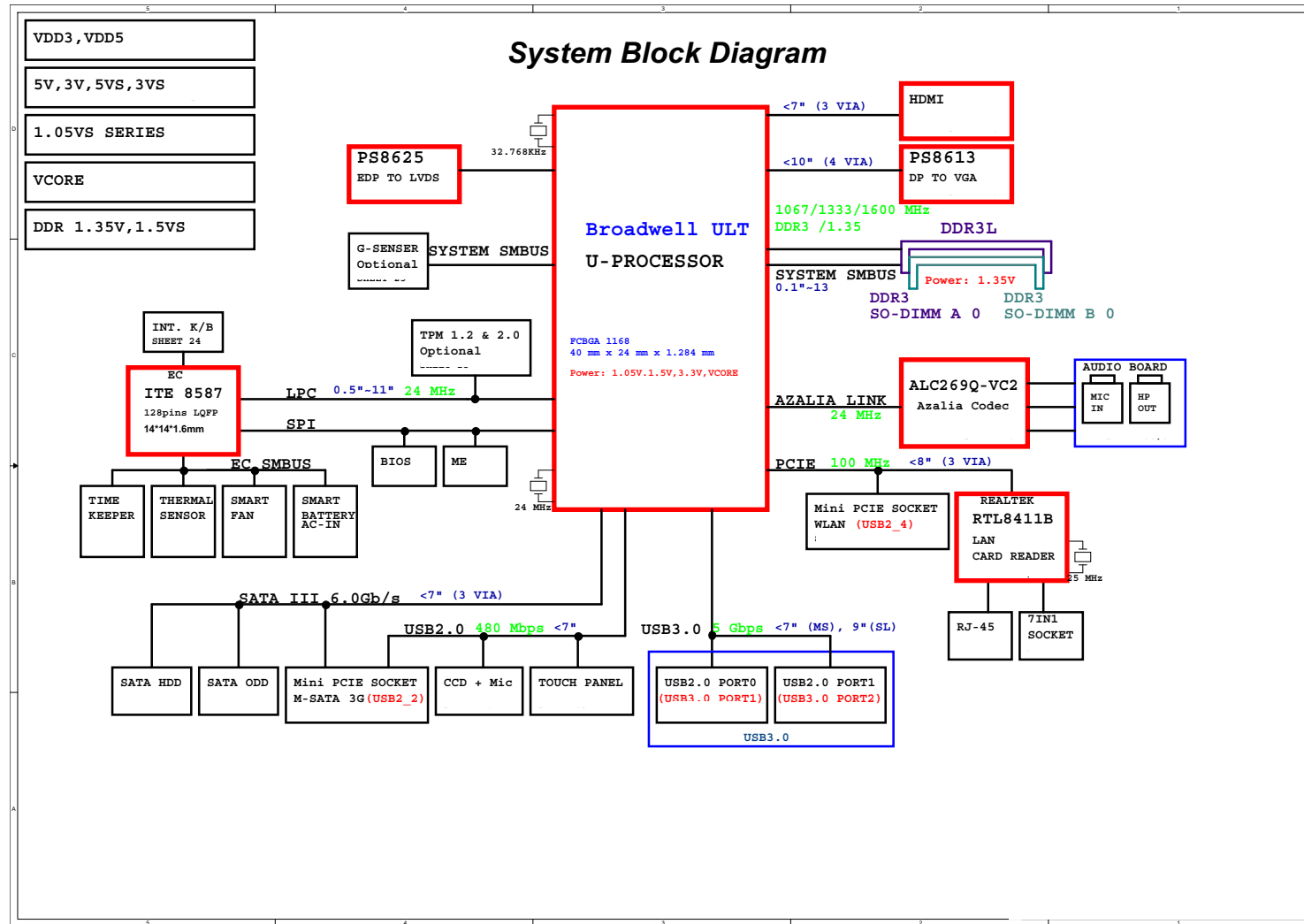
Table B - 1
**SCHEMATIC
DIAGRAMS**



Version Note

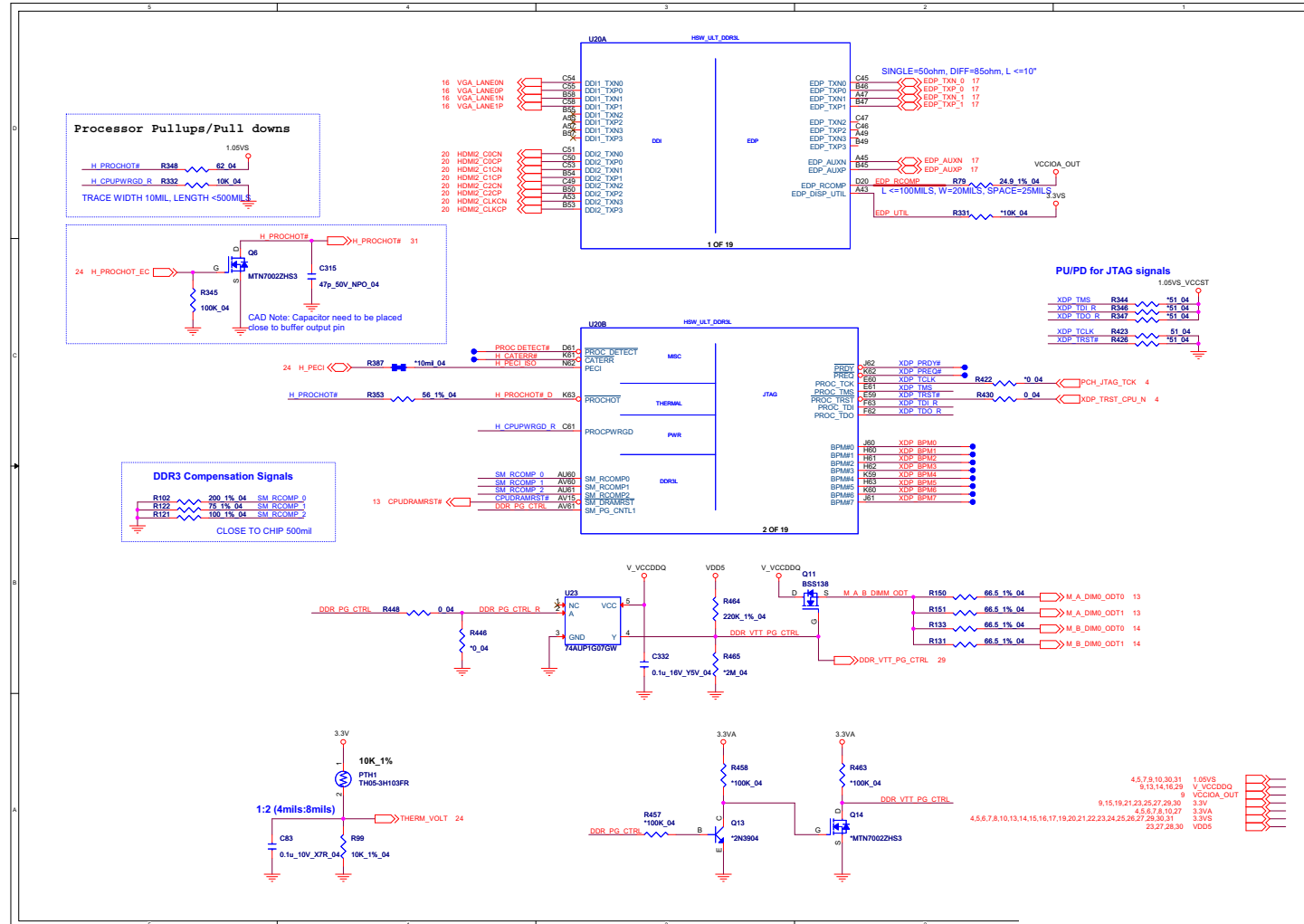
The schematic diagrams in this chapter are based upon version 6-7P-W5S27-006. If your mainboard (or other boards) are a later version, please check with the Service Center for updated diagrams (if required).

System Block Diagram



Sheet 1 of 38
System Block
Diagram

Processor 1/7

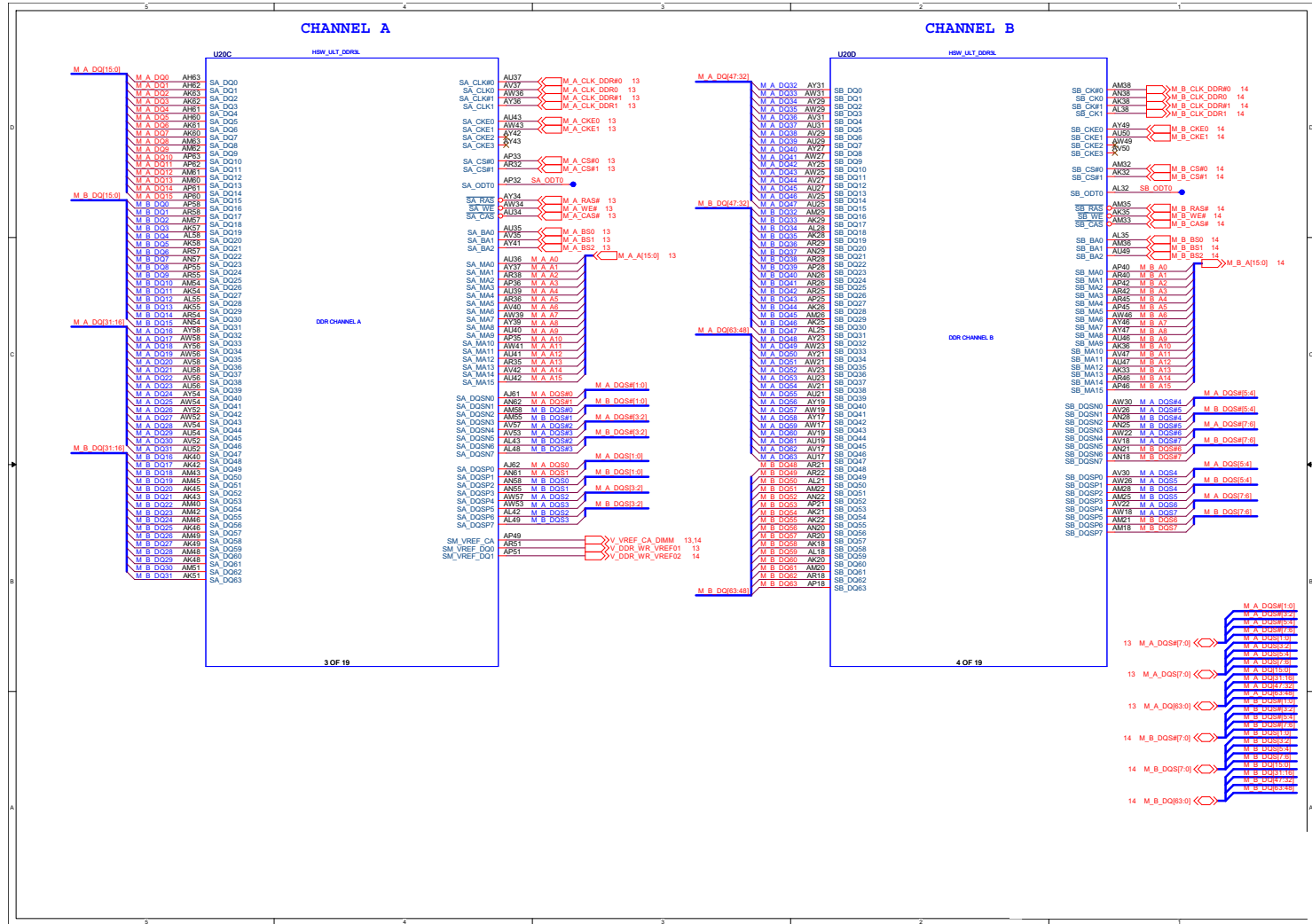


Sheet 2 of 38
Processor 1/7

B.Schematic Diagrams

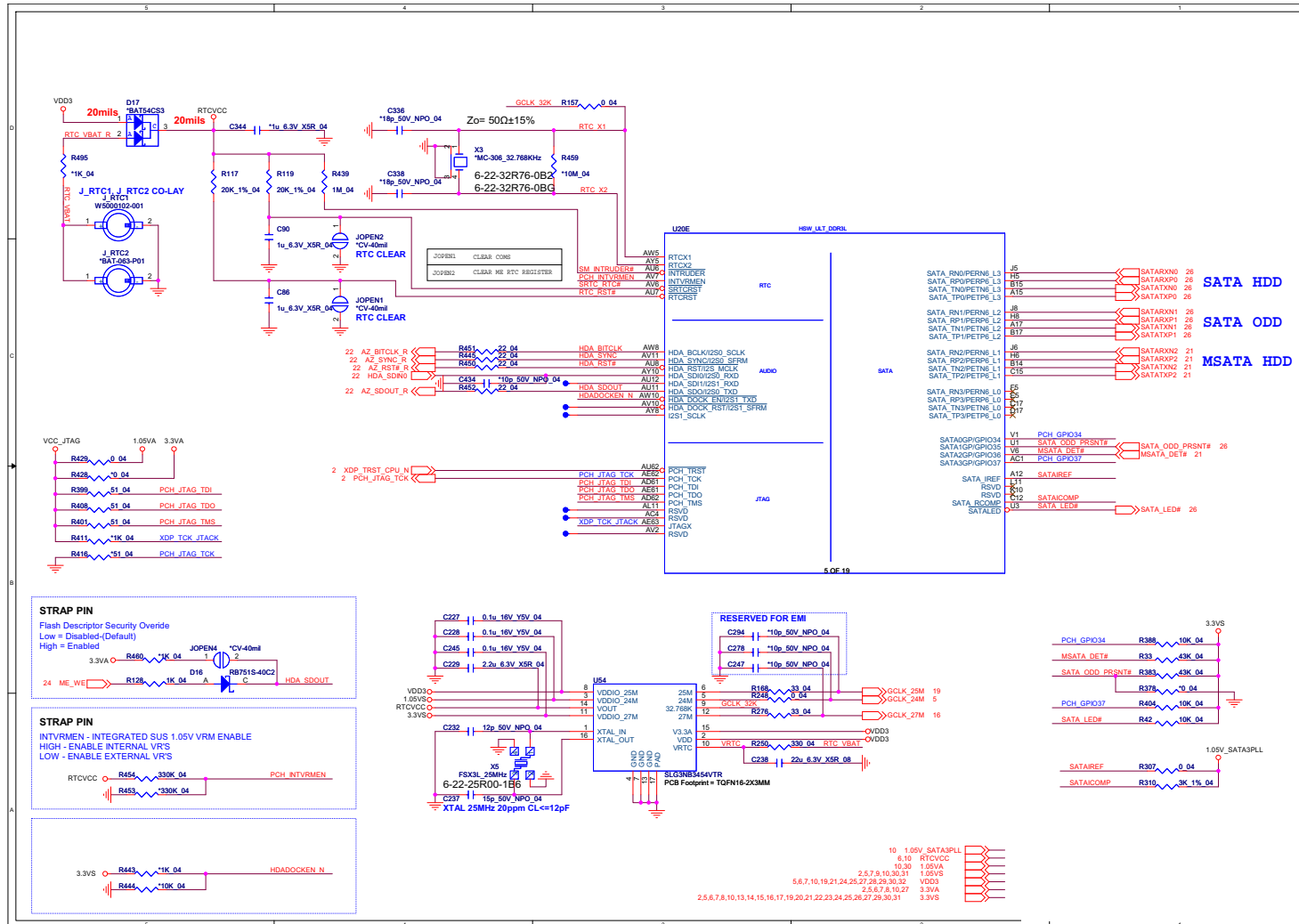
Processor 2/7

Sheet 3 of 38
Processor 2/7



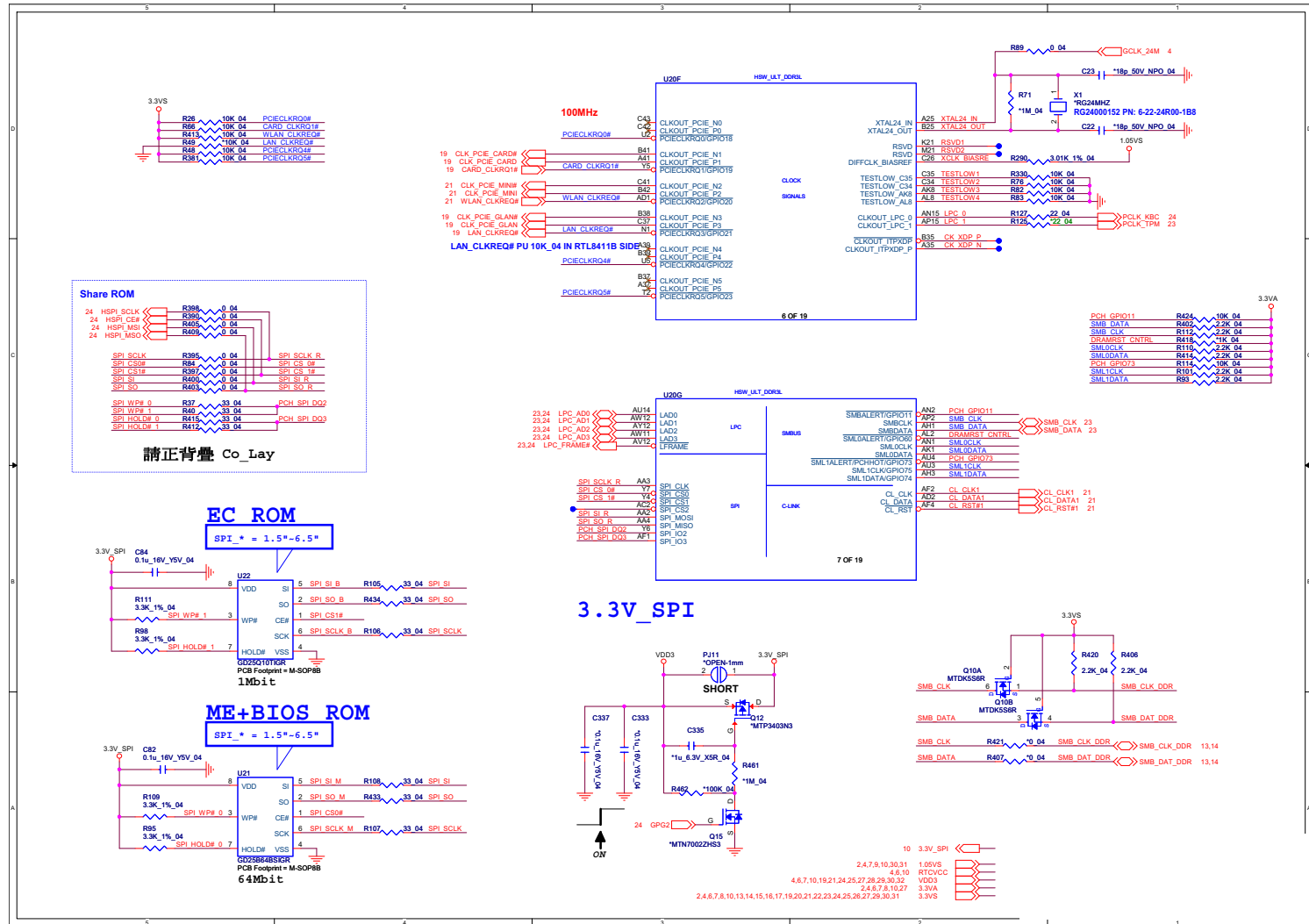
Processor 3/7

Sheet 4 of 38
Processor 3/7



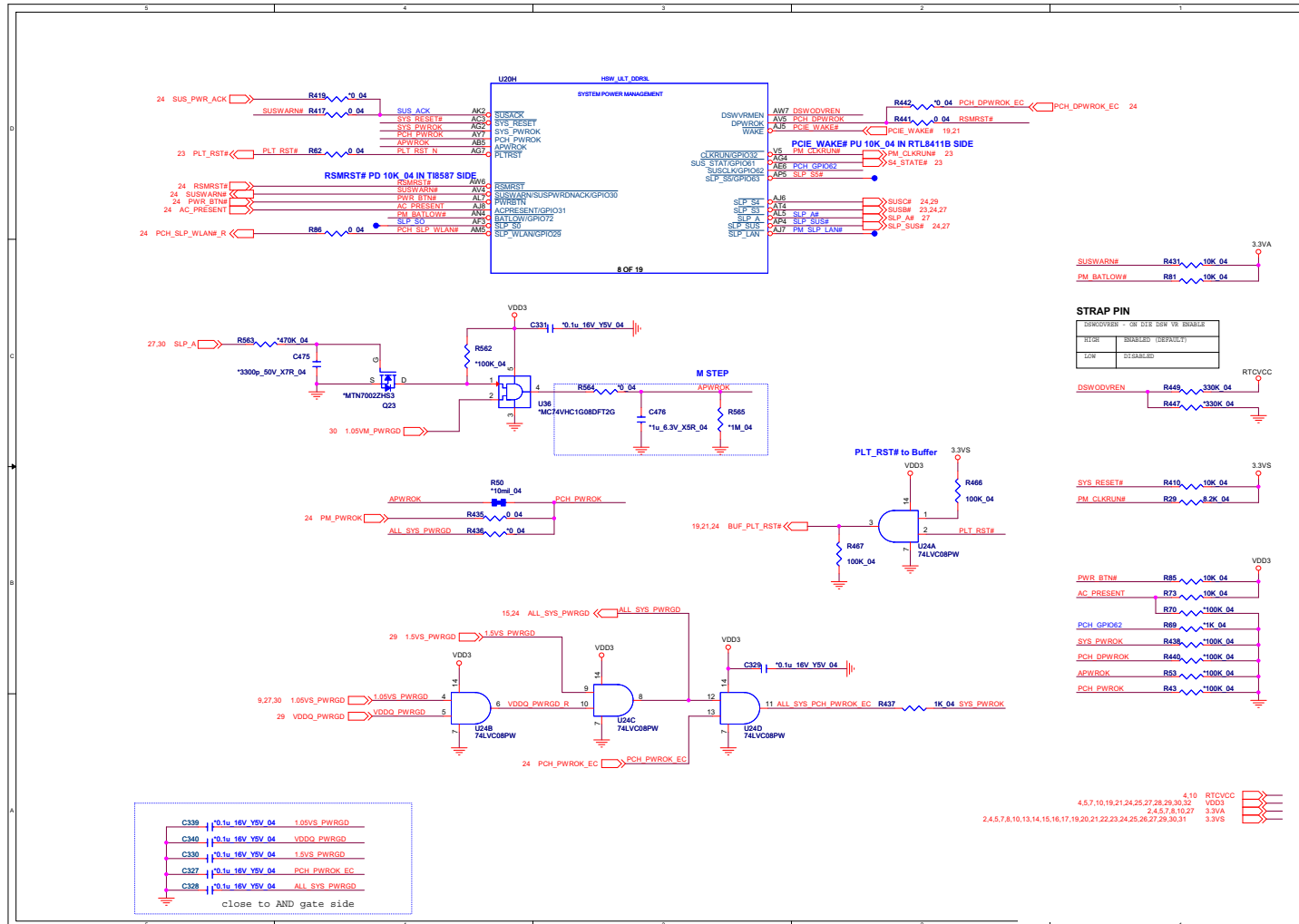
Processor 4/7

Sheet 5 of 38
Processor 4/7

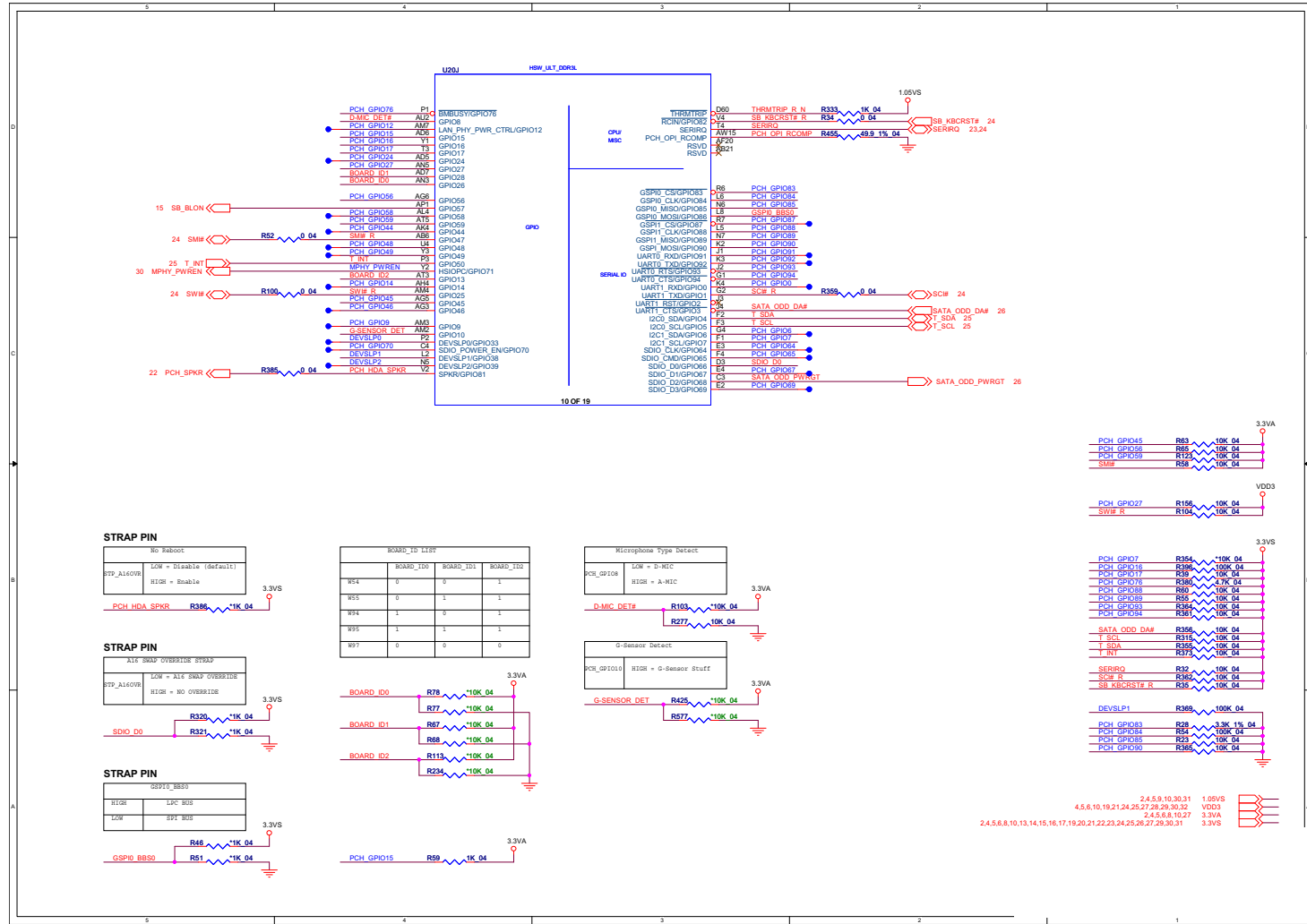


Processor 5/7

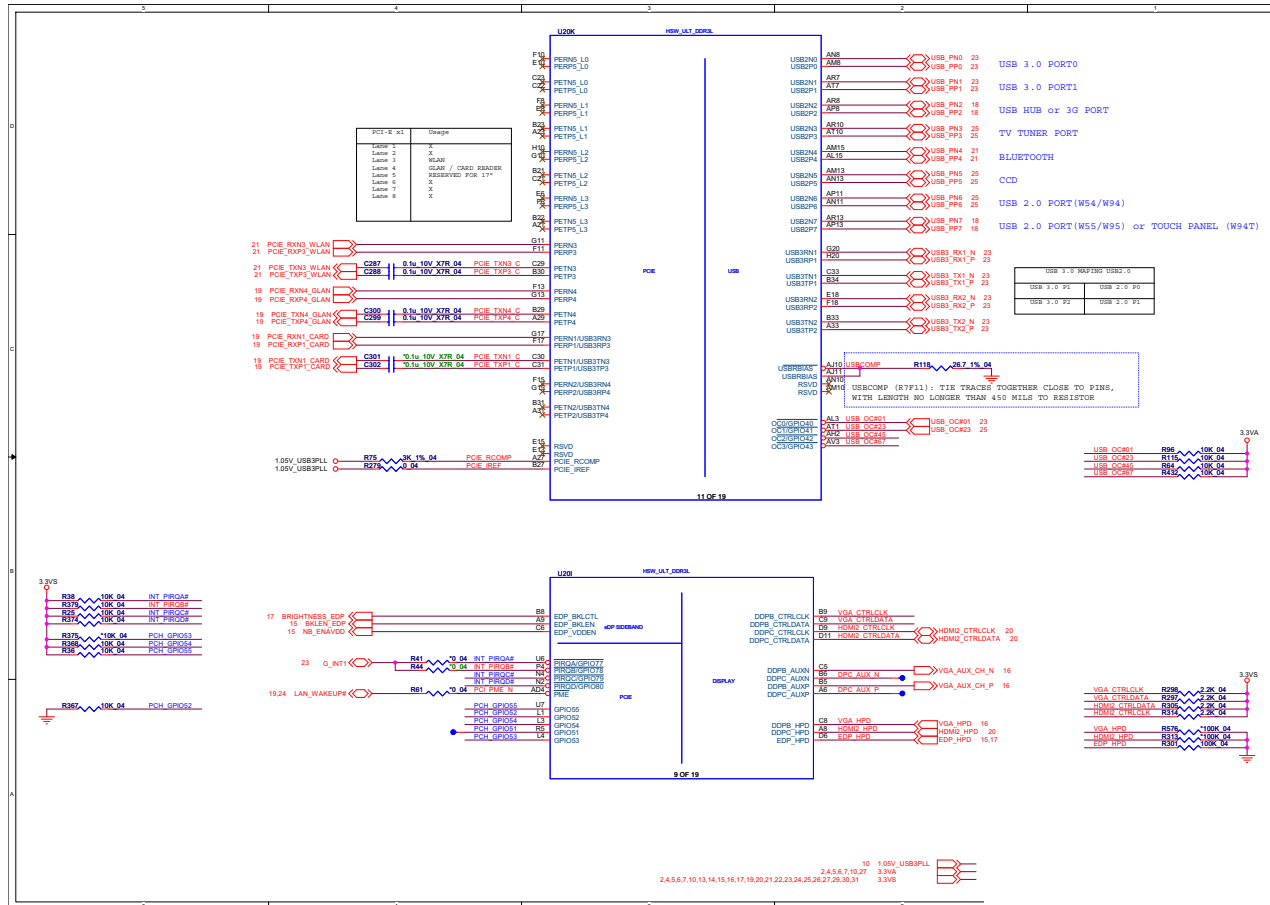
Sheet 6 of 38
Processor 5/7



Processor 6/7



Processor 7/7

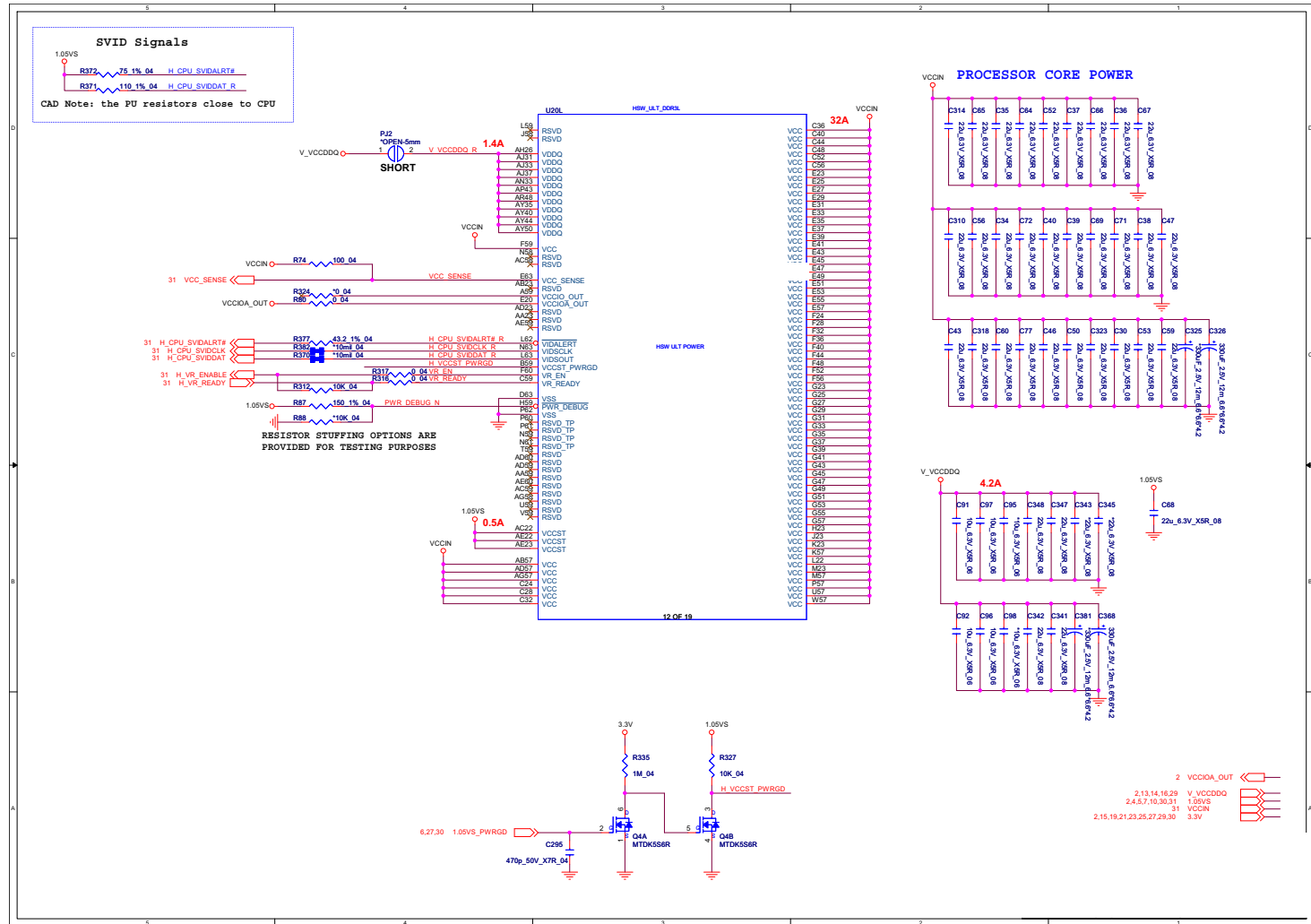


B.Schematic Diagrams

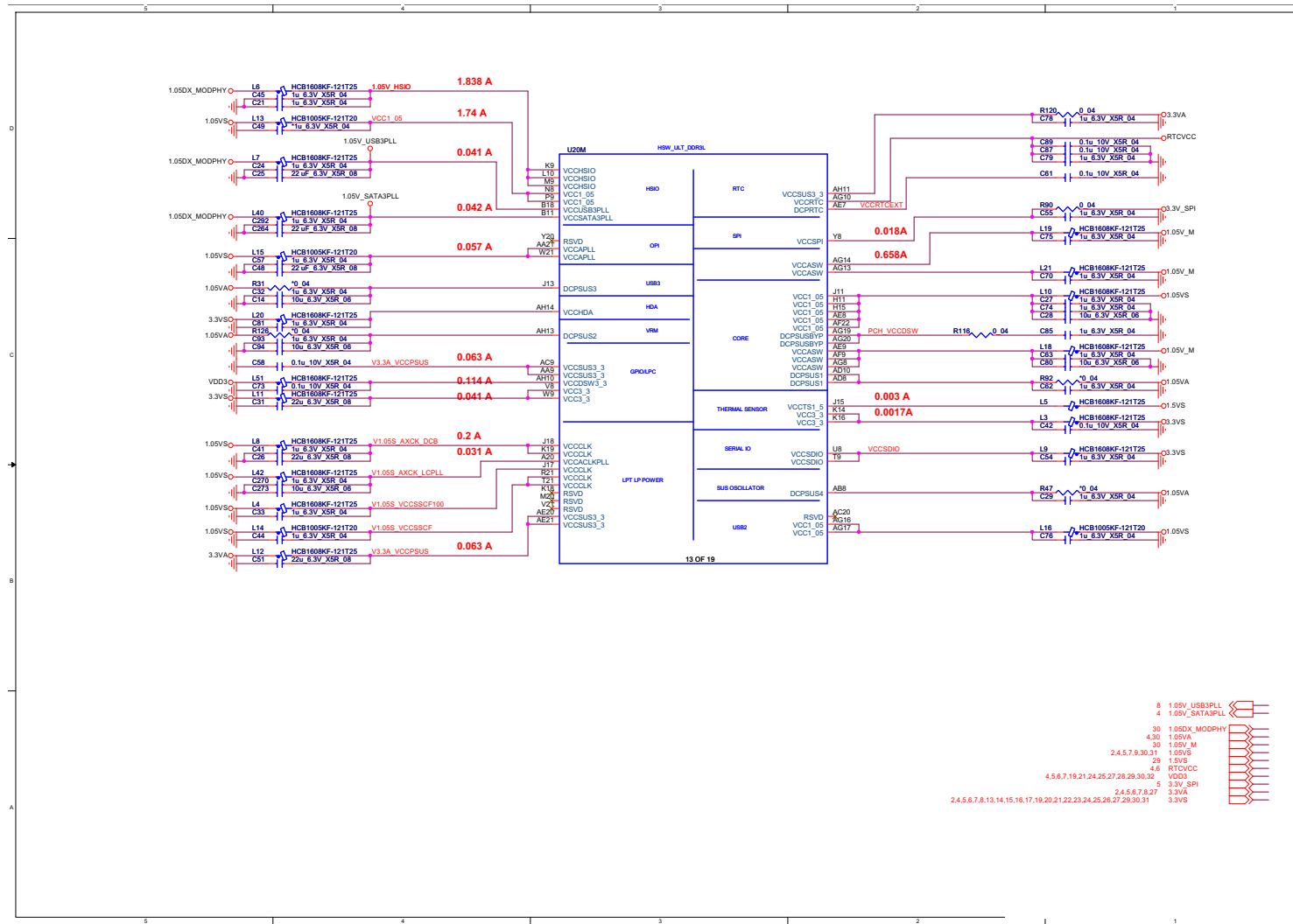
Sheet 8 of 38
Processor 7/7

Schematic Diagrams

Power 1



Power 2

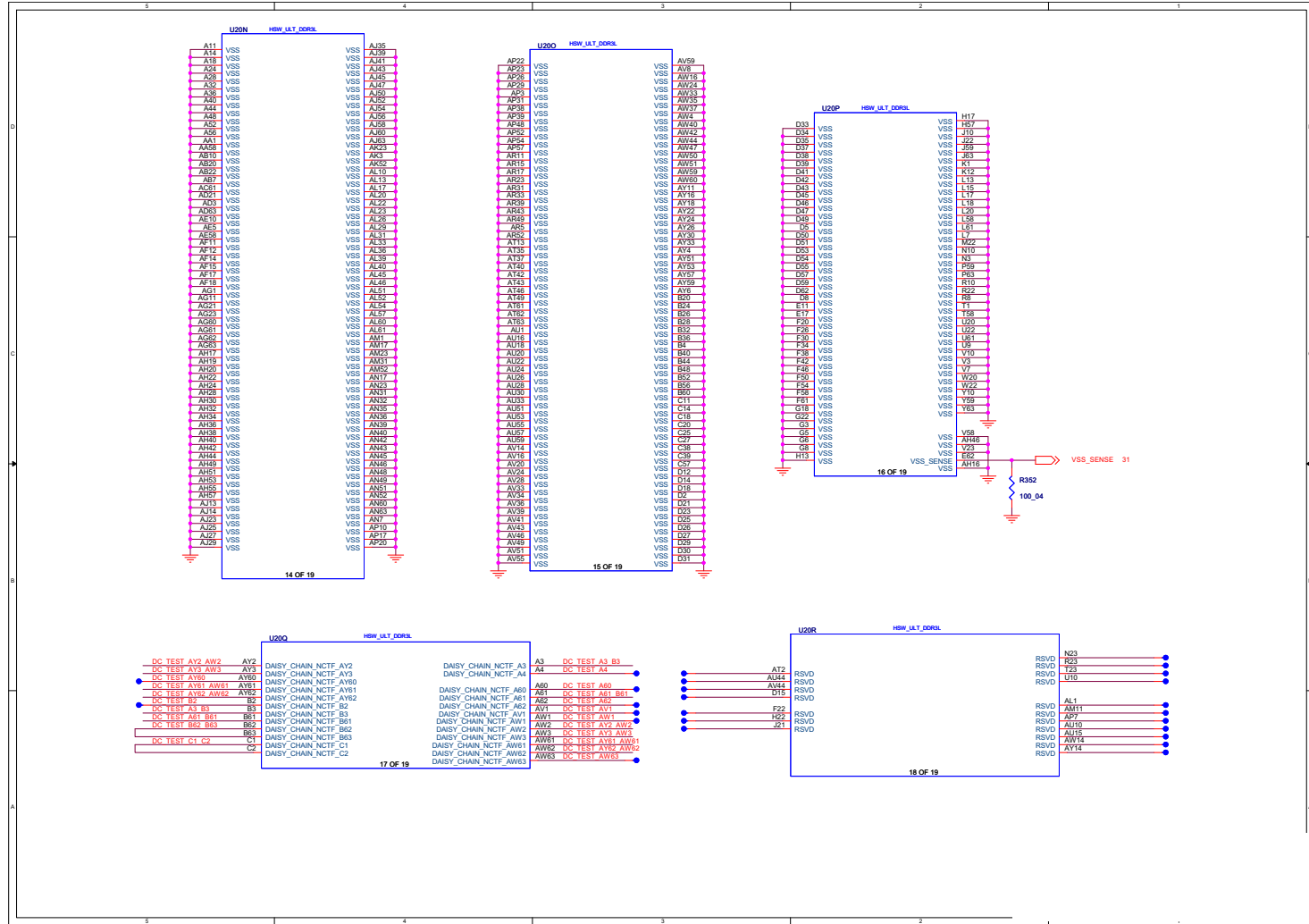


Sheet 10 of 38
Power 2

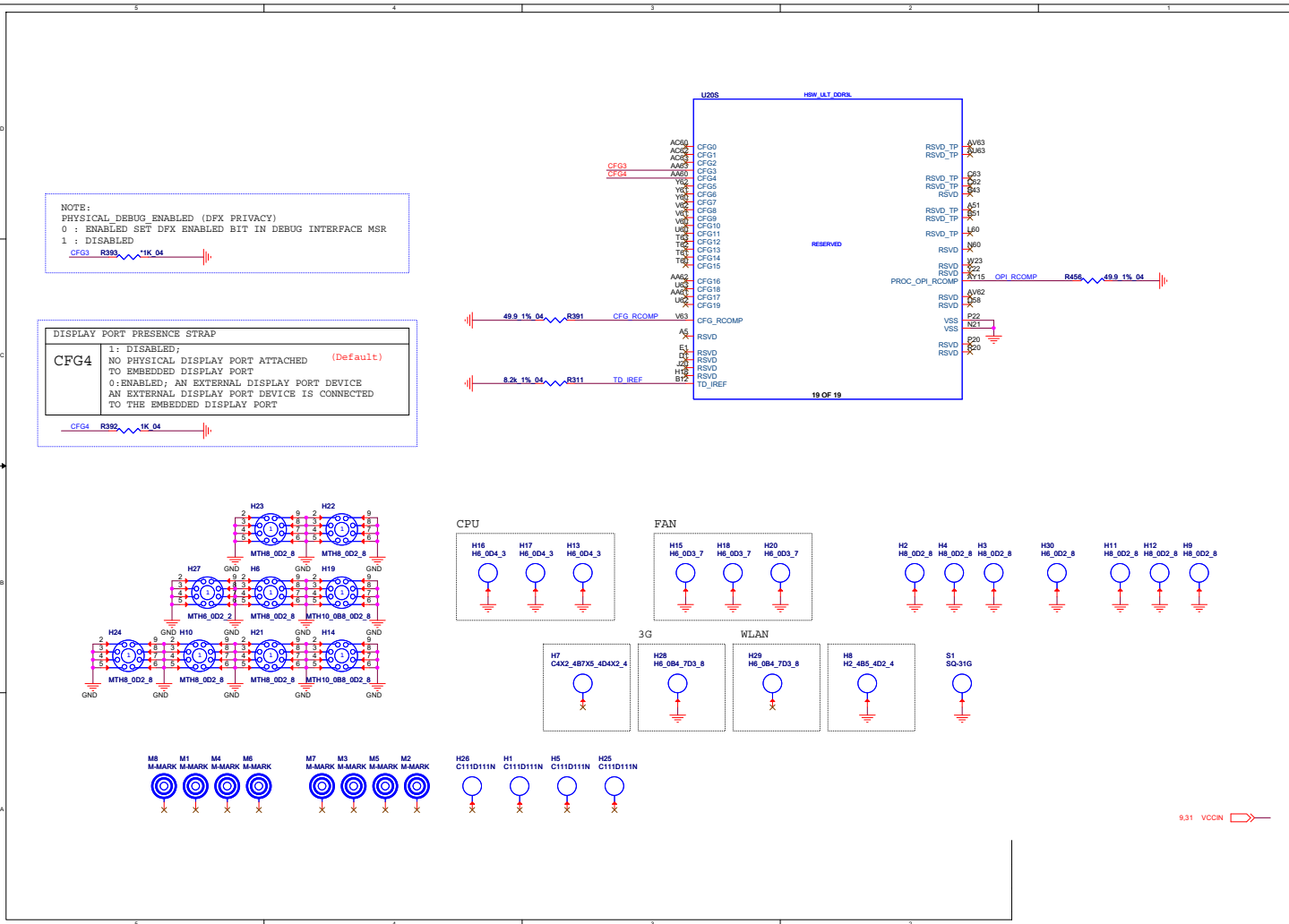
B.Schematic Diagrams

Power VSS

Sheet 11 of 38
Power VSS



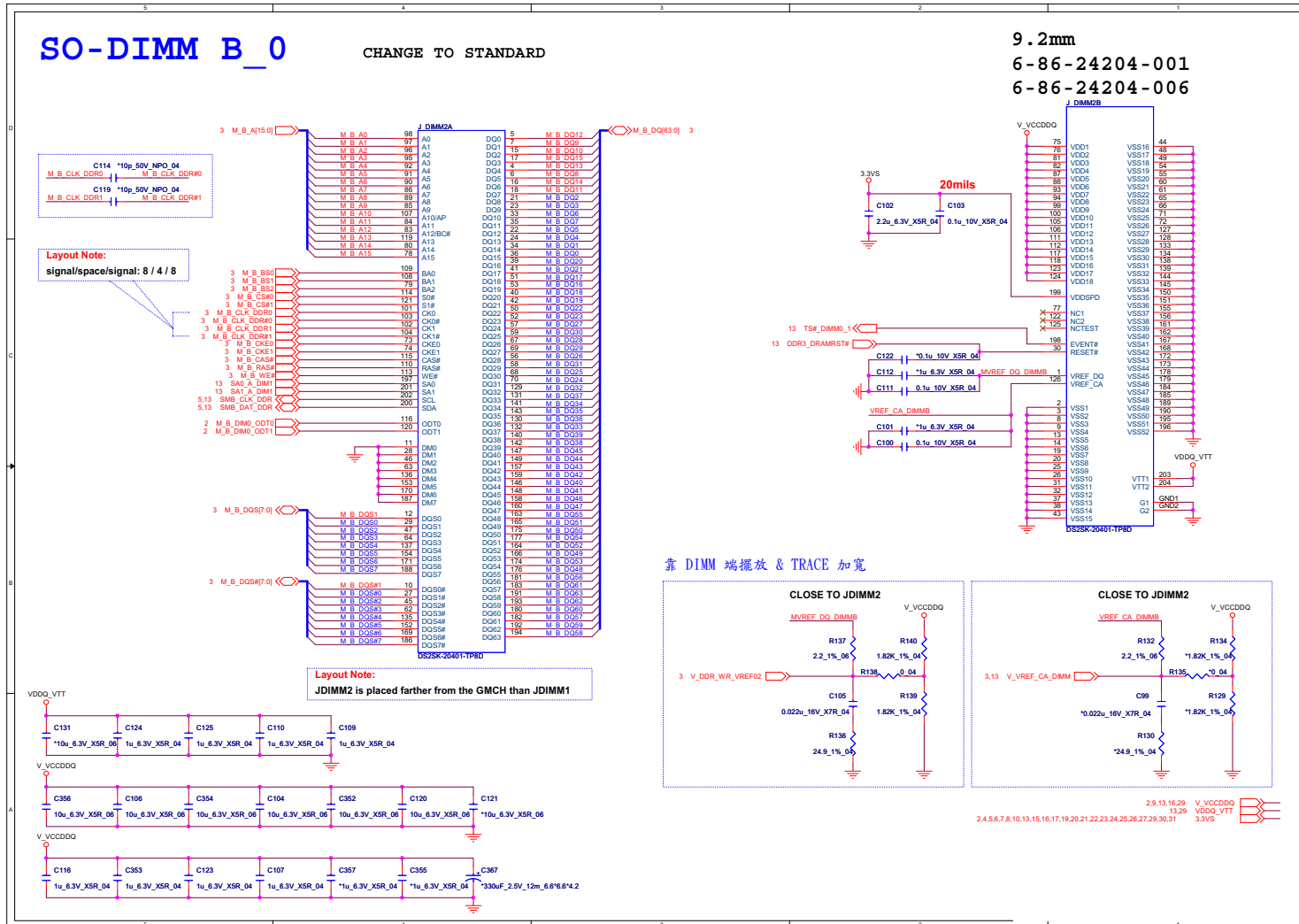
RSVD



Sheet 12 of 38
RSVD

B.Schematic Diagrams

DDR3 SO-DIMM B

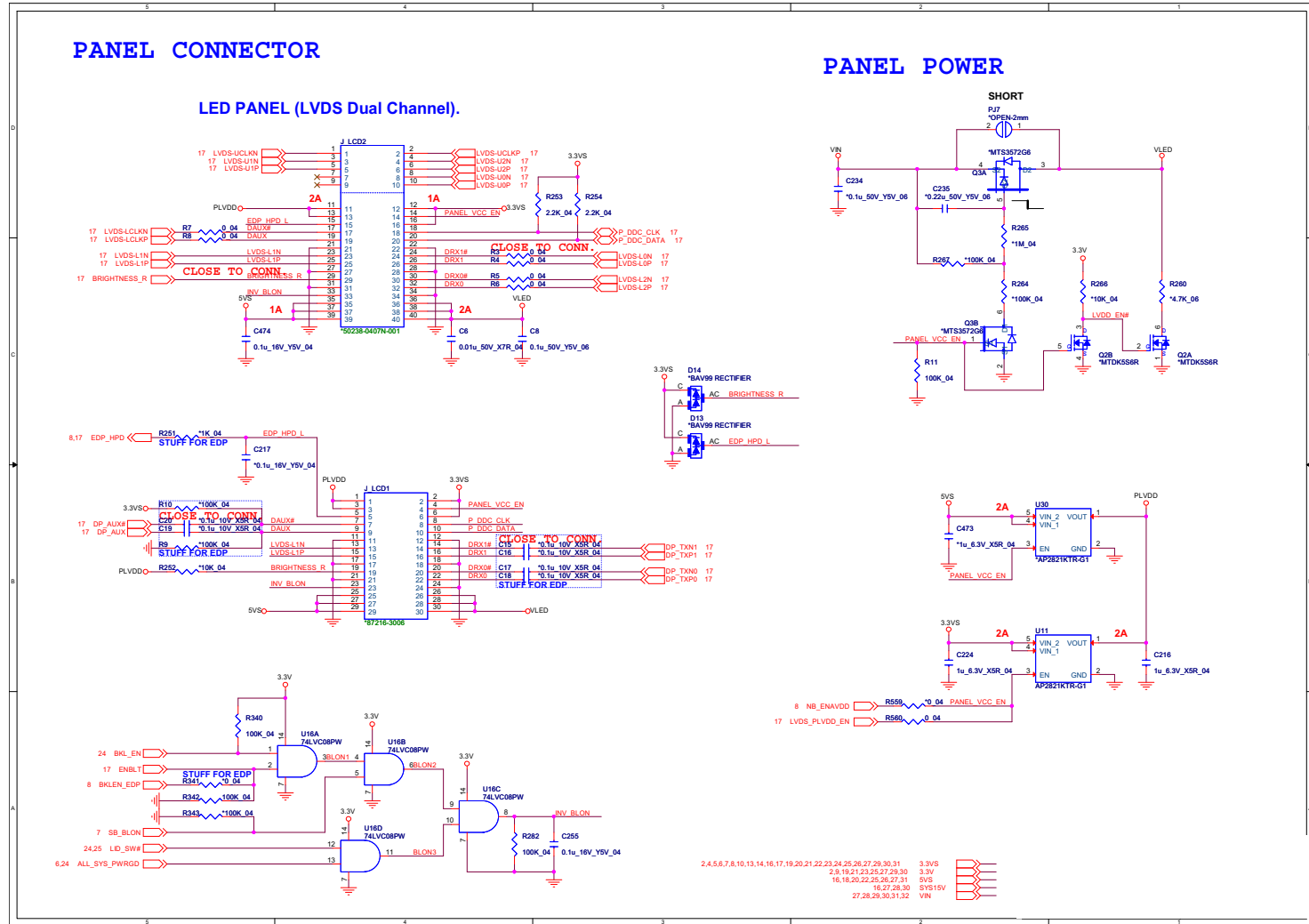


Sheet 14 of 38
DDR3 SO-DIMM B

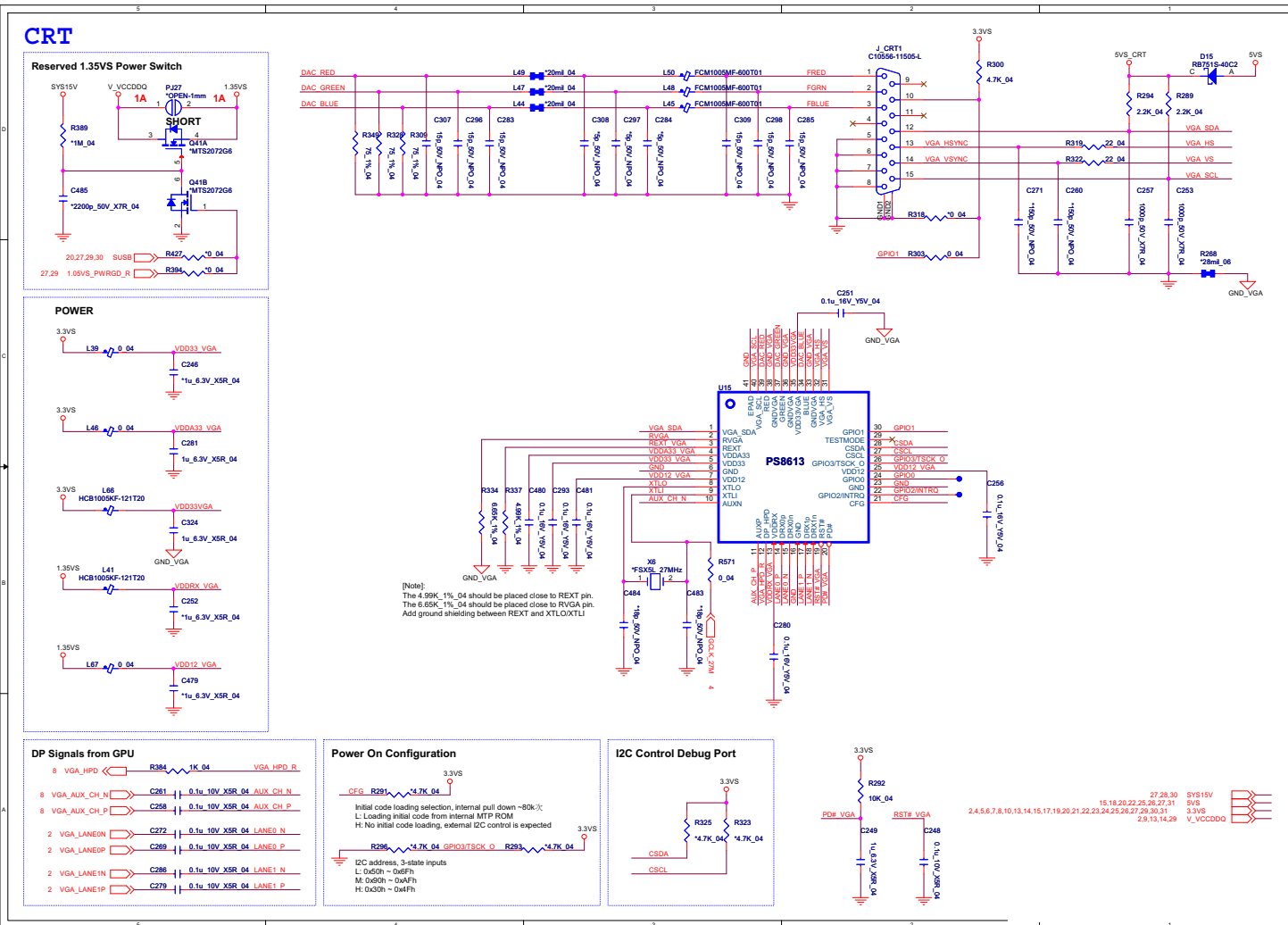
B.Schematic Diagrams

Panel, Inverter

Sheet 15 of 38
Panel, Inverter



VGA PS8613

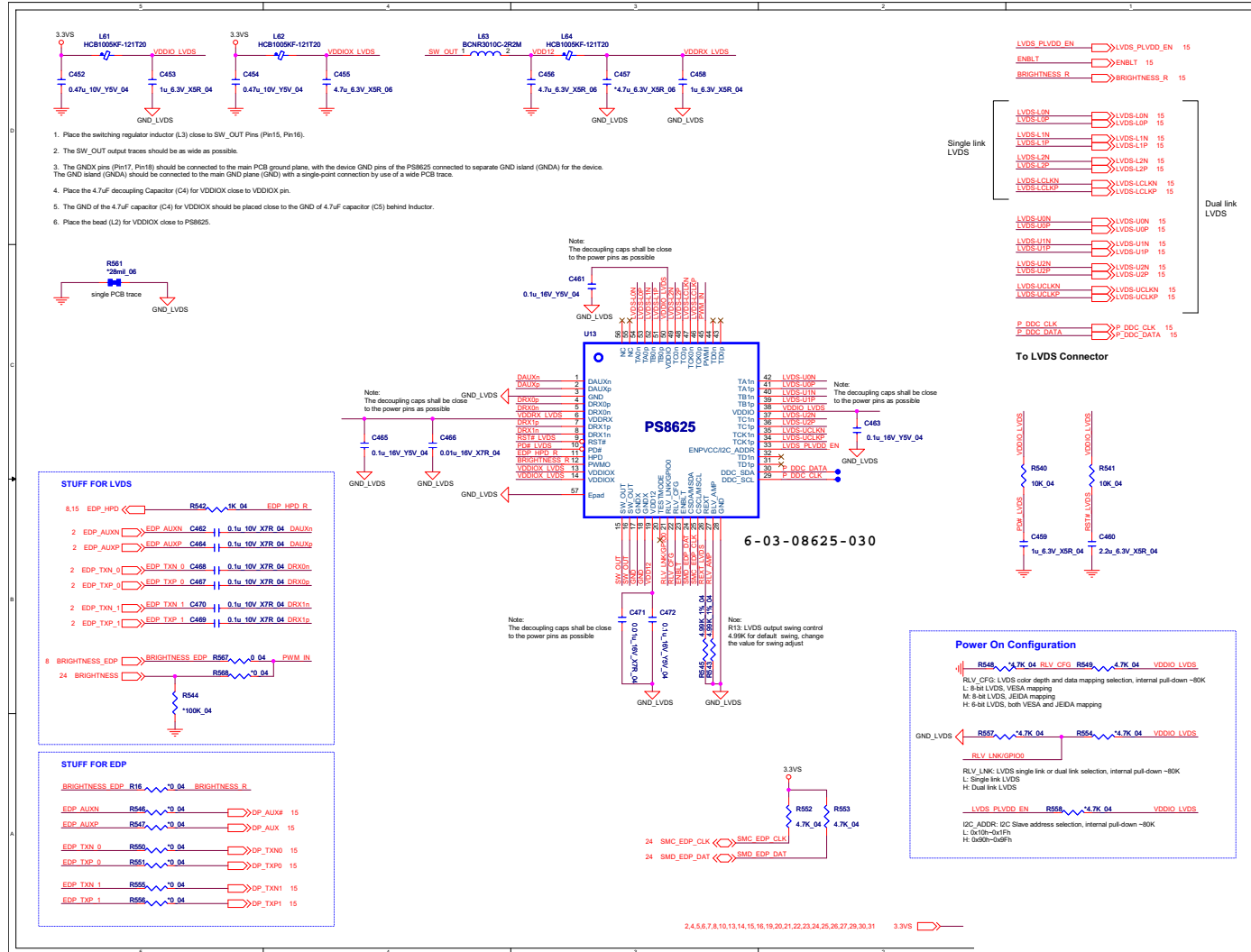


Sheet 16 of 38
VGA PS8613

B.Schematic Diagrams

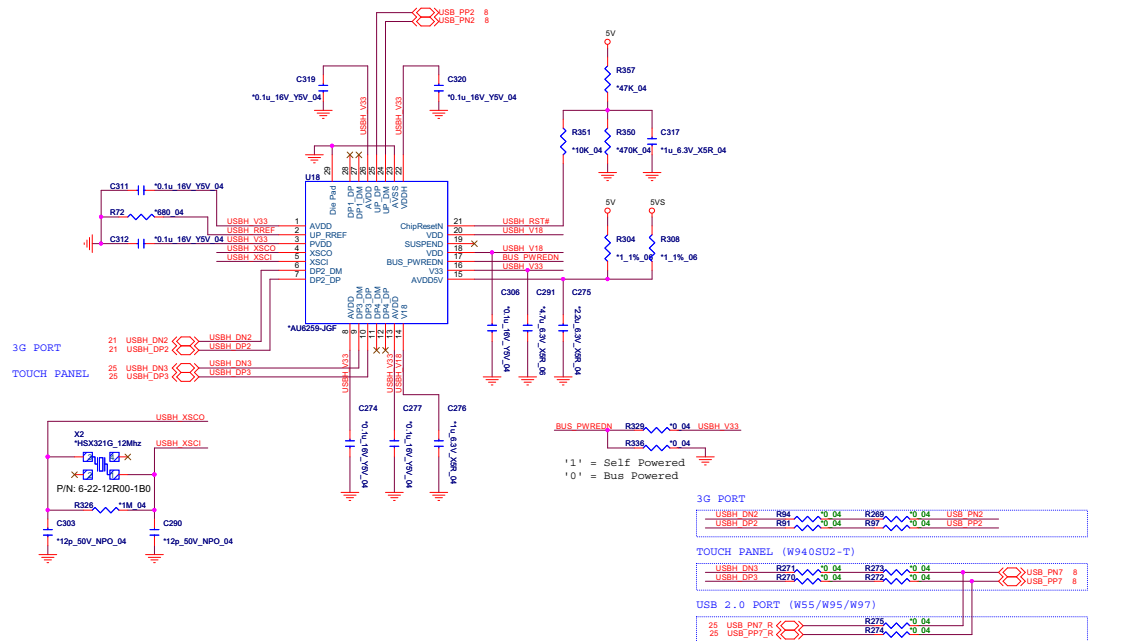
LVDS PS8625

Sheet 17 of 38
LVDS PS8625



USB Hub AU6259-JGF

USB HUB AU6259-JGF

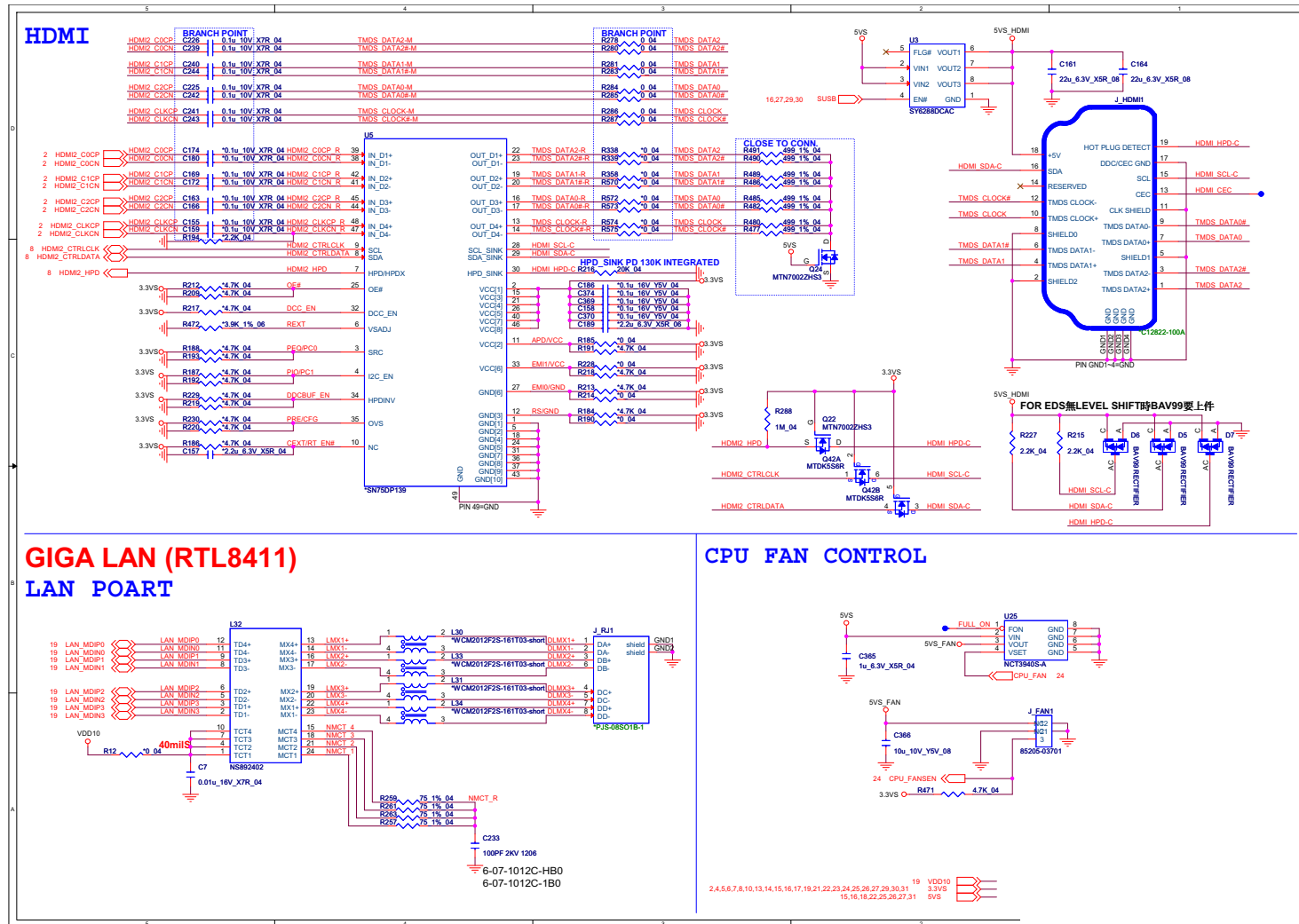


- USB signal line trace:
1. Keep traces of USB bus D+ and D- the same length.
 2. Achieve 90 ohm differential characteristic impedance.
 3. Achieve 45 ohm common characteristic impedance.
 4. Maintain parallelism between D+ and D-.
 5. Do not route USB2.0 D+ and D- over the power plane split.
 6. Do not route USB2.0 D+ and D- over the other high frequency signals.
 7. It is preferred to route USB2.0 D+ and D- over ground layer.
 8. It is preferred to route USB2.0 D+ and D- using single layer.
- For more detail, see design guideline in design kit.

19,23,25,27,29 5V
15,16,20,22,25,26,27,31 5VS

Sheet 18 of 38
USB Hub
AU6259-JGF

HDMI, RJ45, Fan

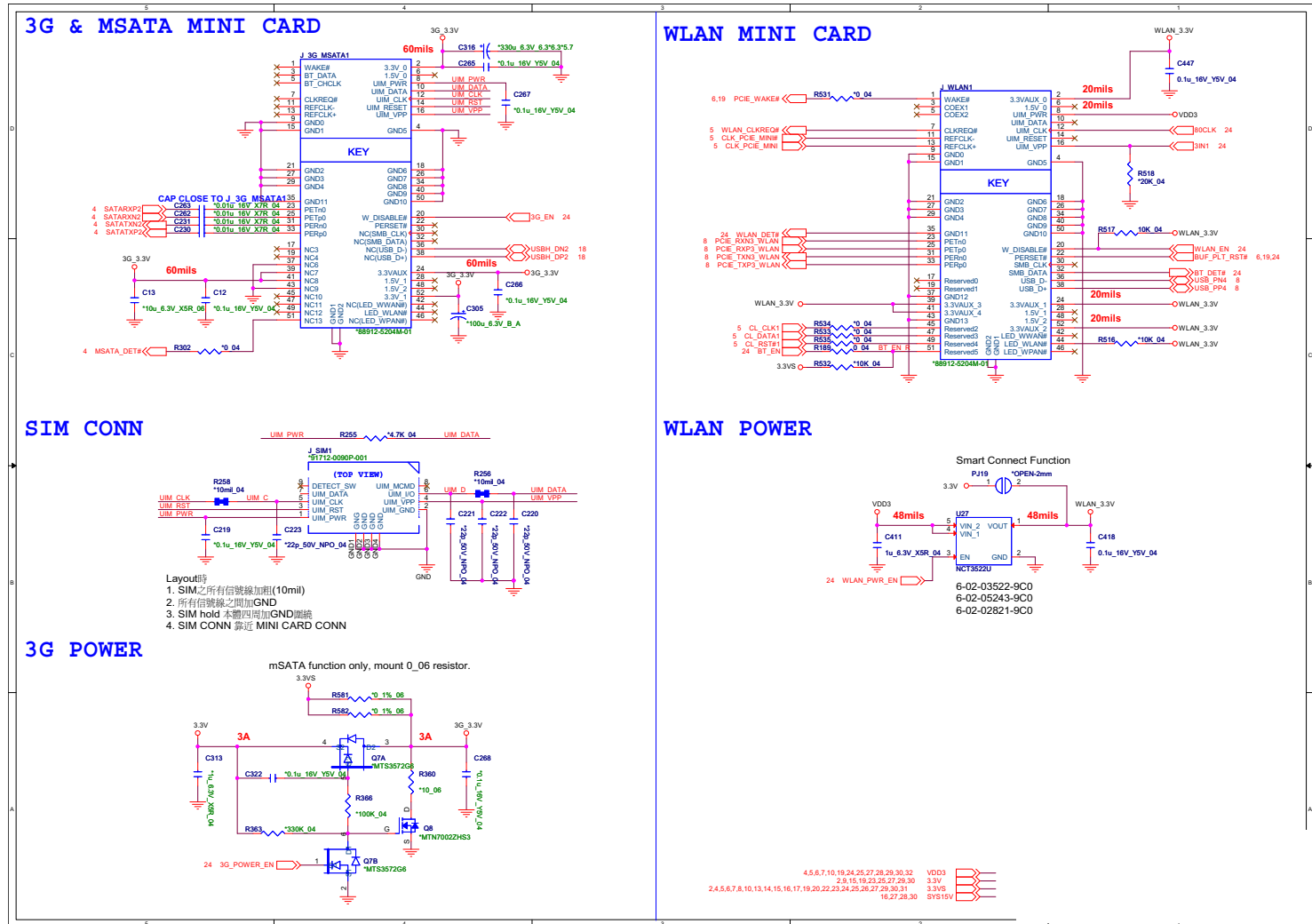


Sheet 20 of 38
HDMI, RJ45, Fan

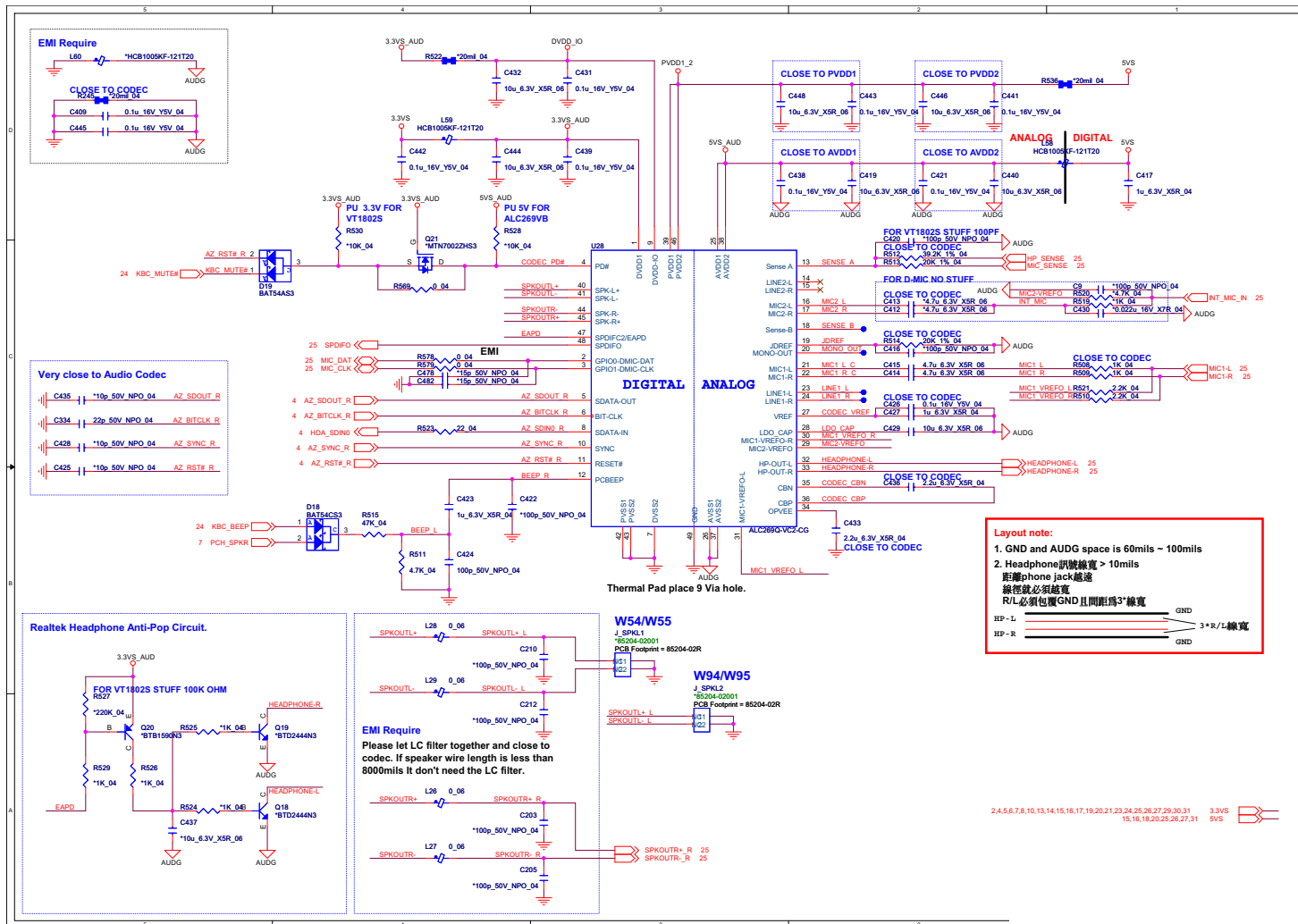
B.Schematic Diagrams

WLAN, 3G, MSATA

Sheet 21 of 38
WLAN, 3G, MSATA



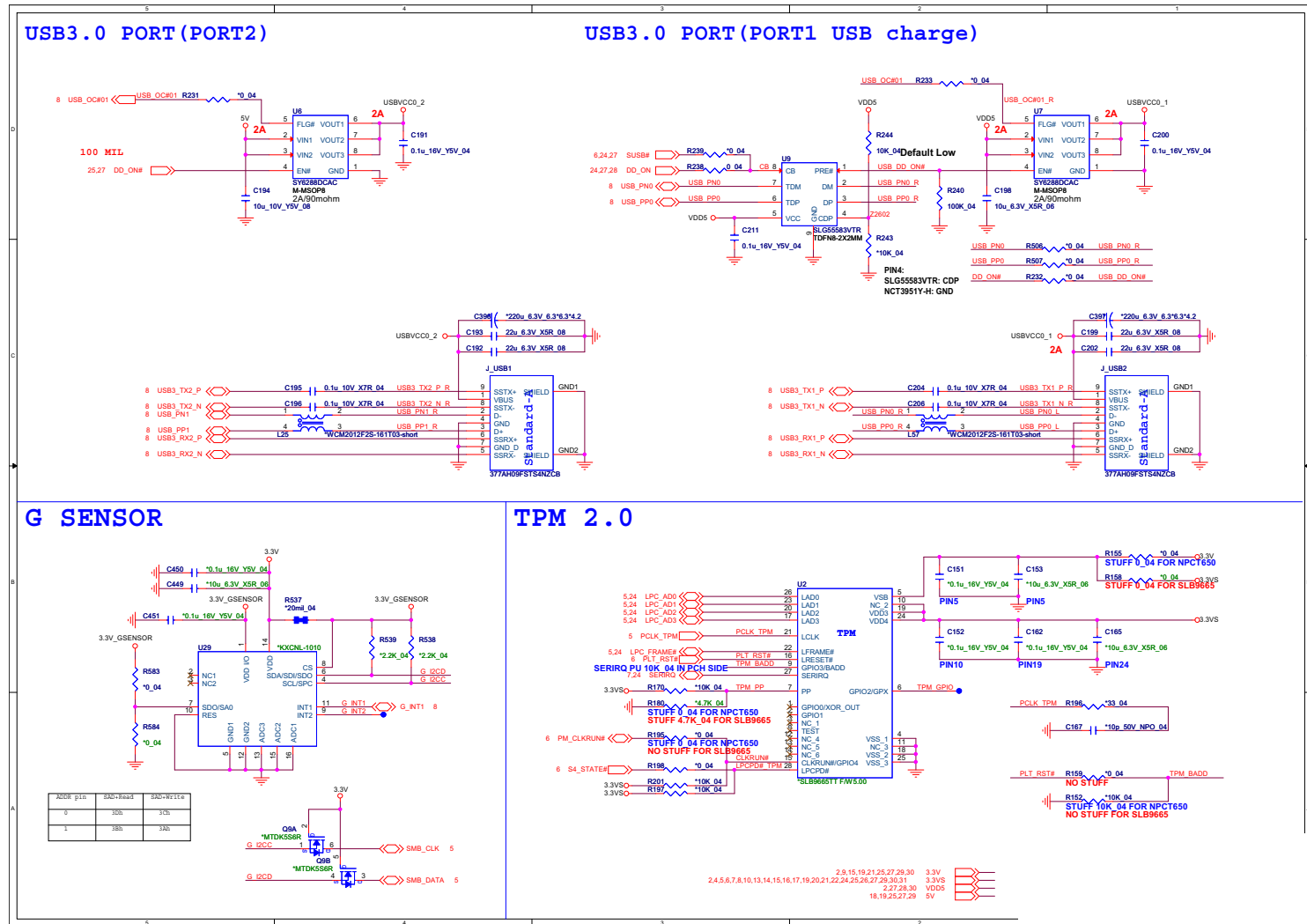
Audio Codec ALC269



Sheet 22 of 38
Audio Codec
ALC269

B.Schematic Diagrams

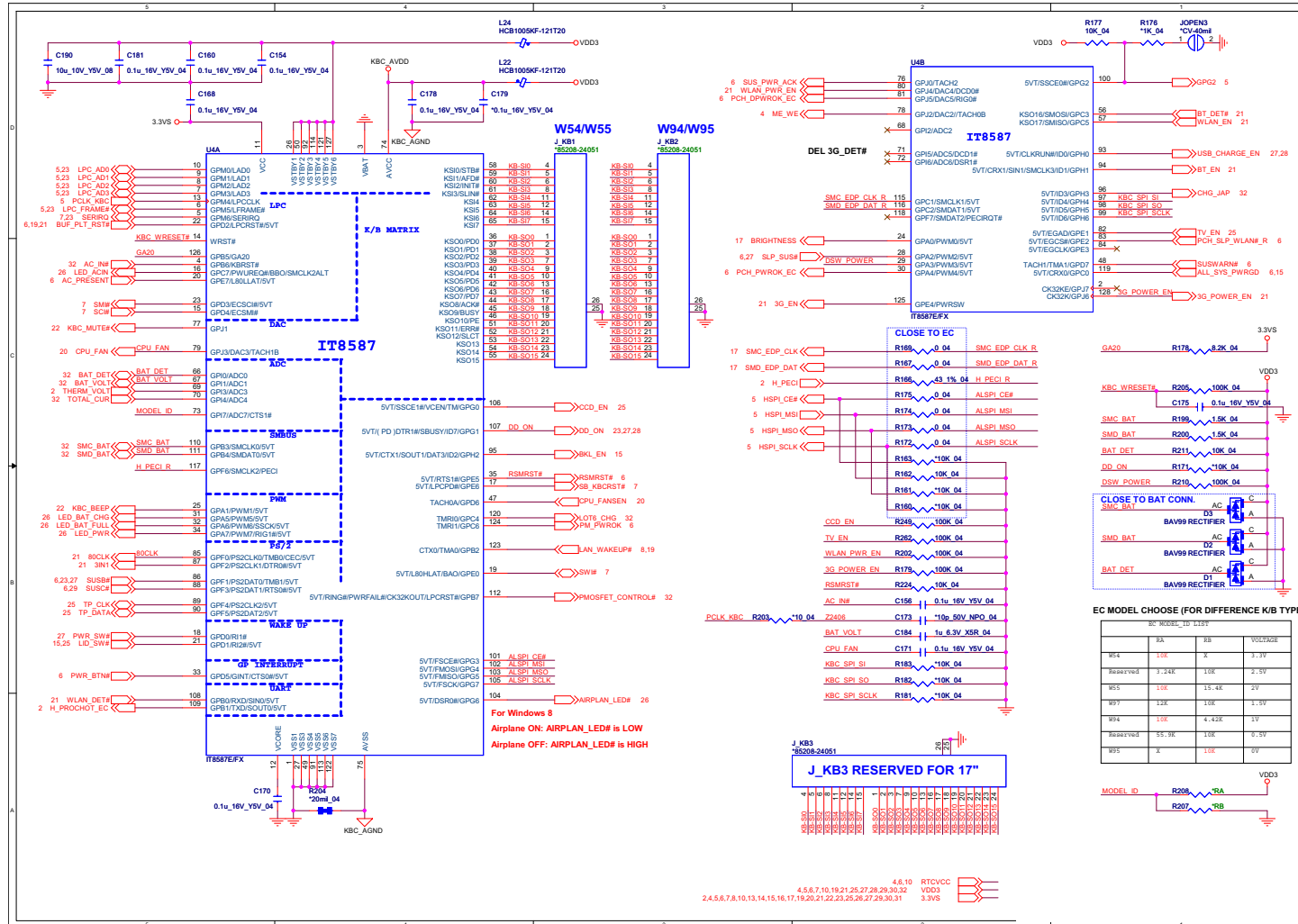
USB 3.0, G-Sensor, TPM



B.Schematic Diagrams

Sheet 23 of 38
USB 3.0, G-Sensor,
TPM

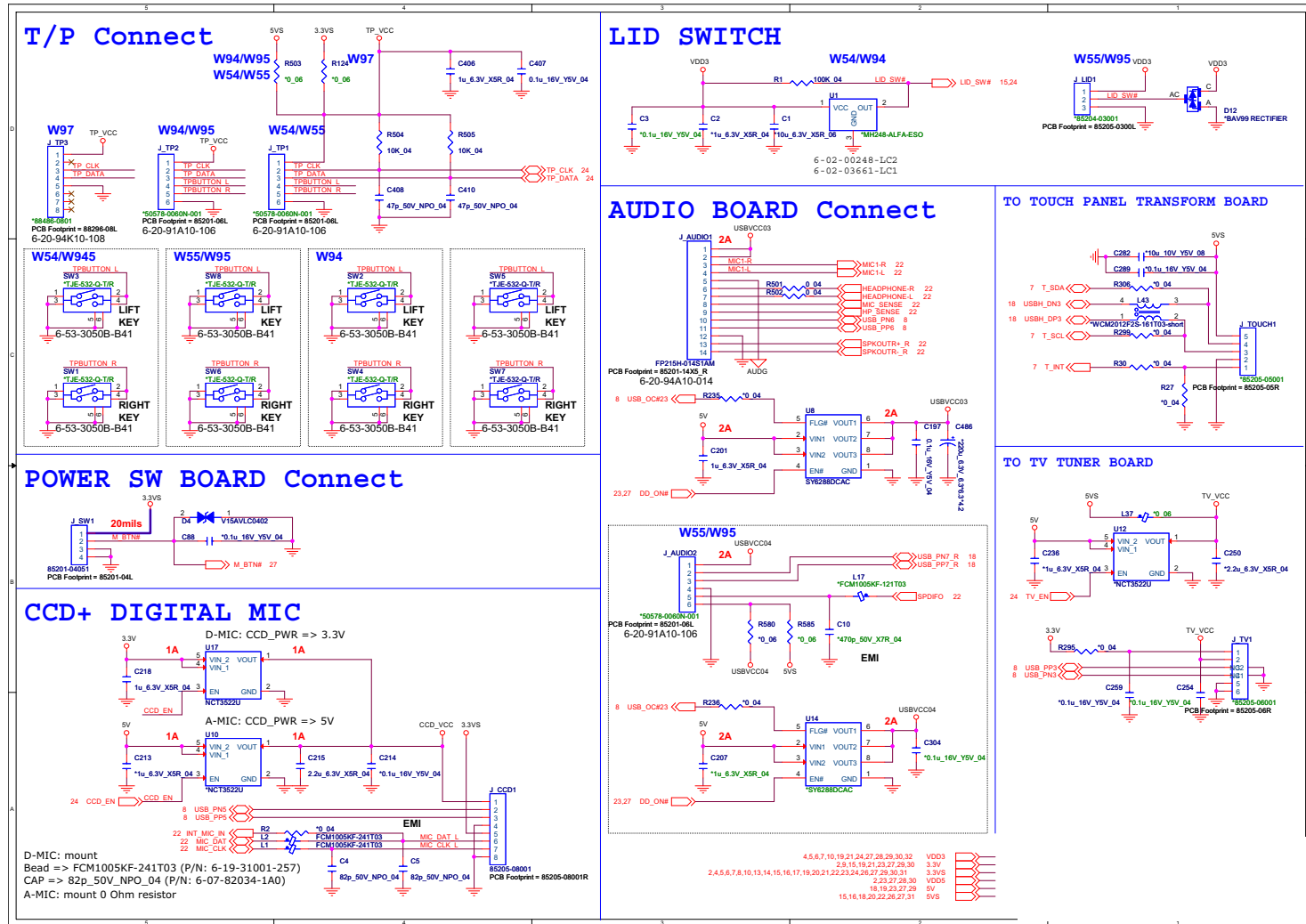
HDD, CCD, TPM, Power Con



Sheet 24 of 38
 HDD, CCD, TPM,
 Power Con

B.Schematic Diagrams

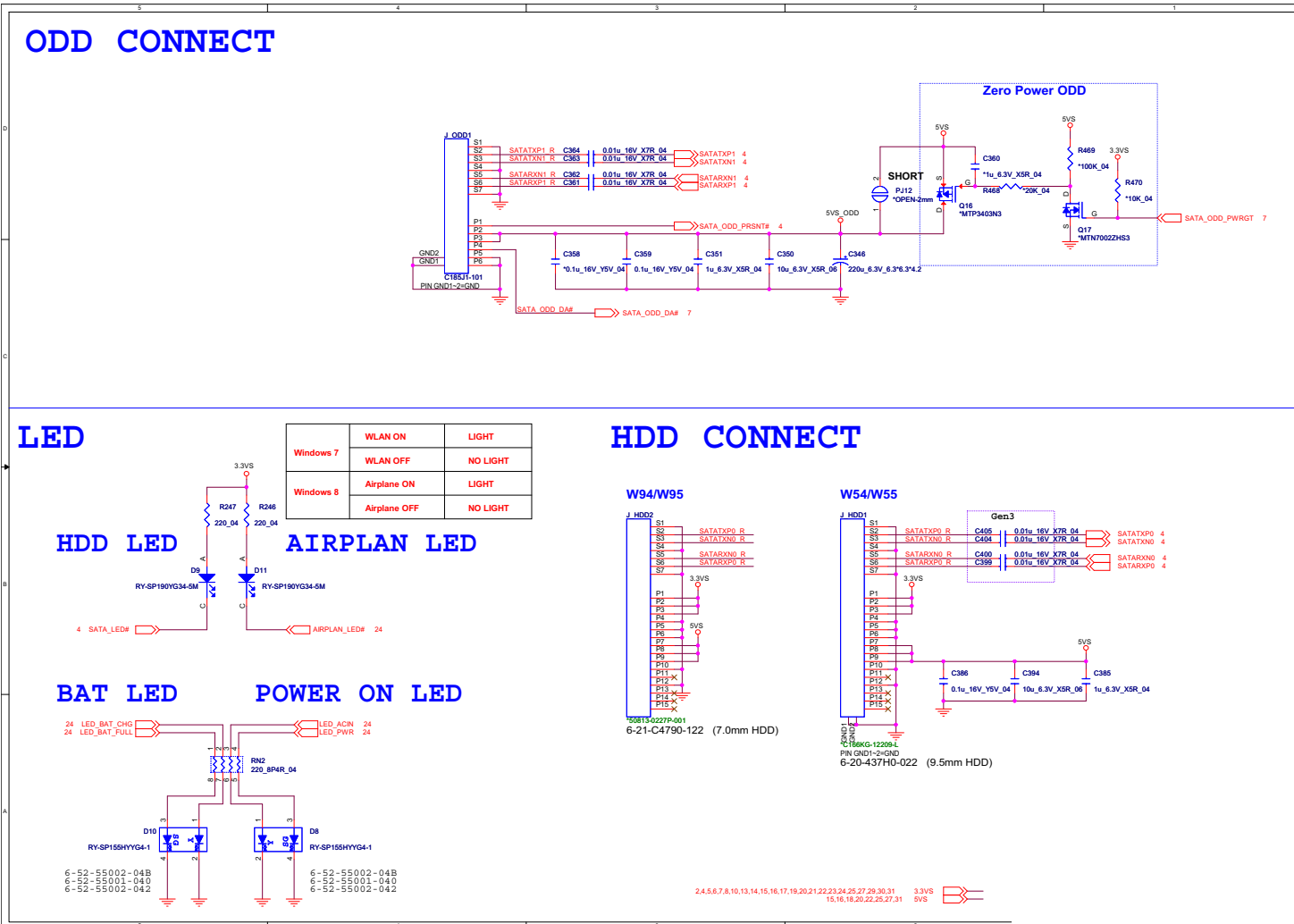
CCD, MIC, LID, I/O Connector



Sheet 25 of 38
CCD, MIC, LID,
I/O Connector

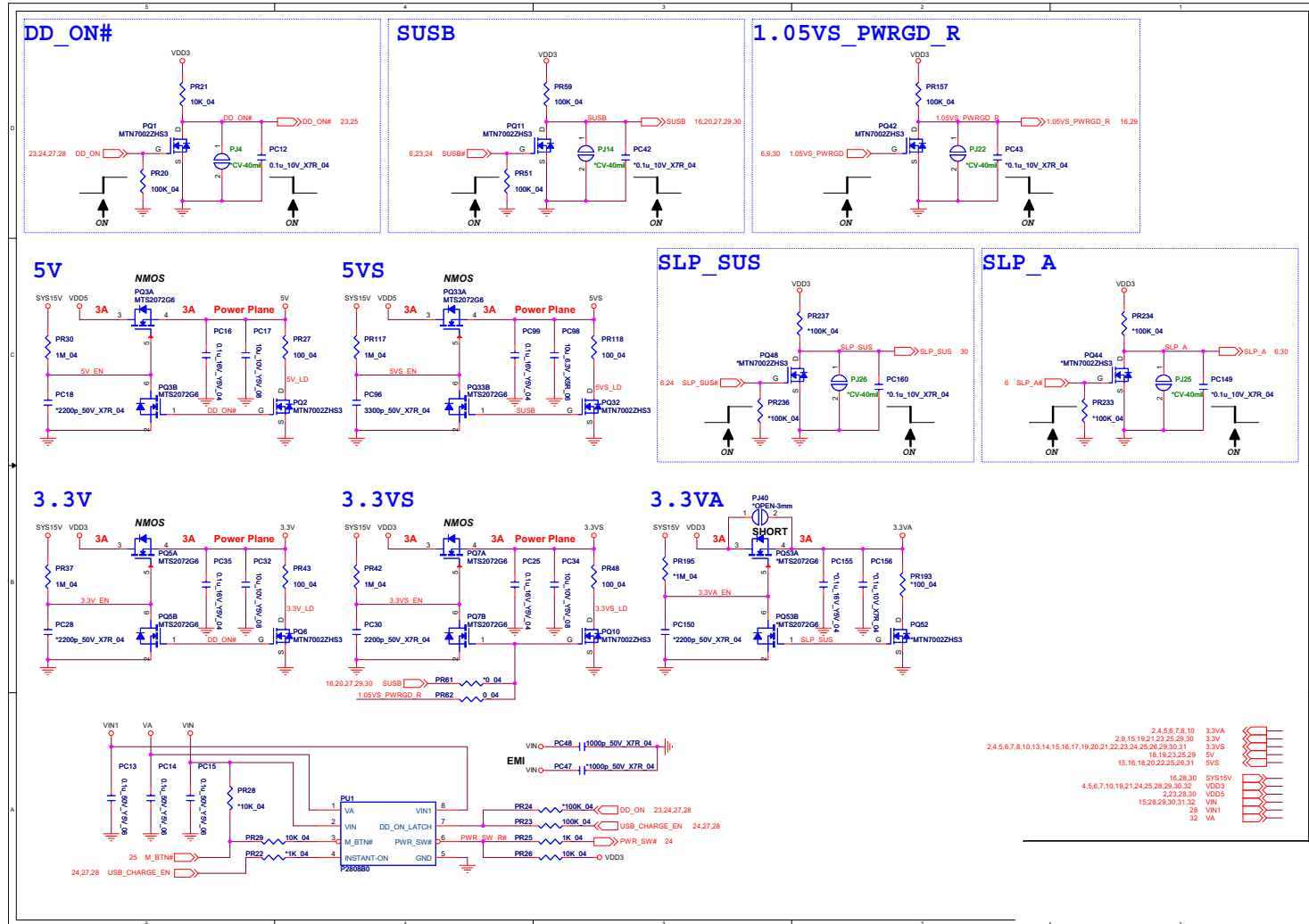
B.Schematic Diagrams

HDD, ODD, LED



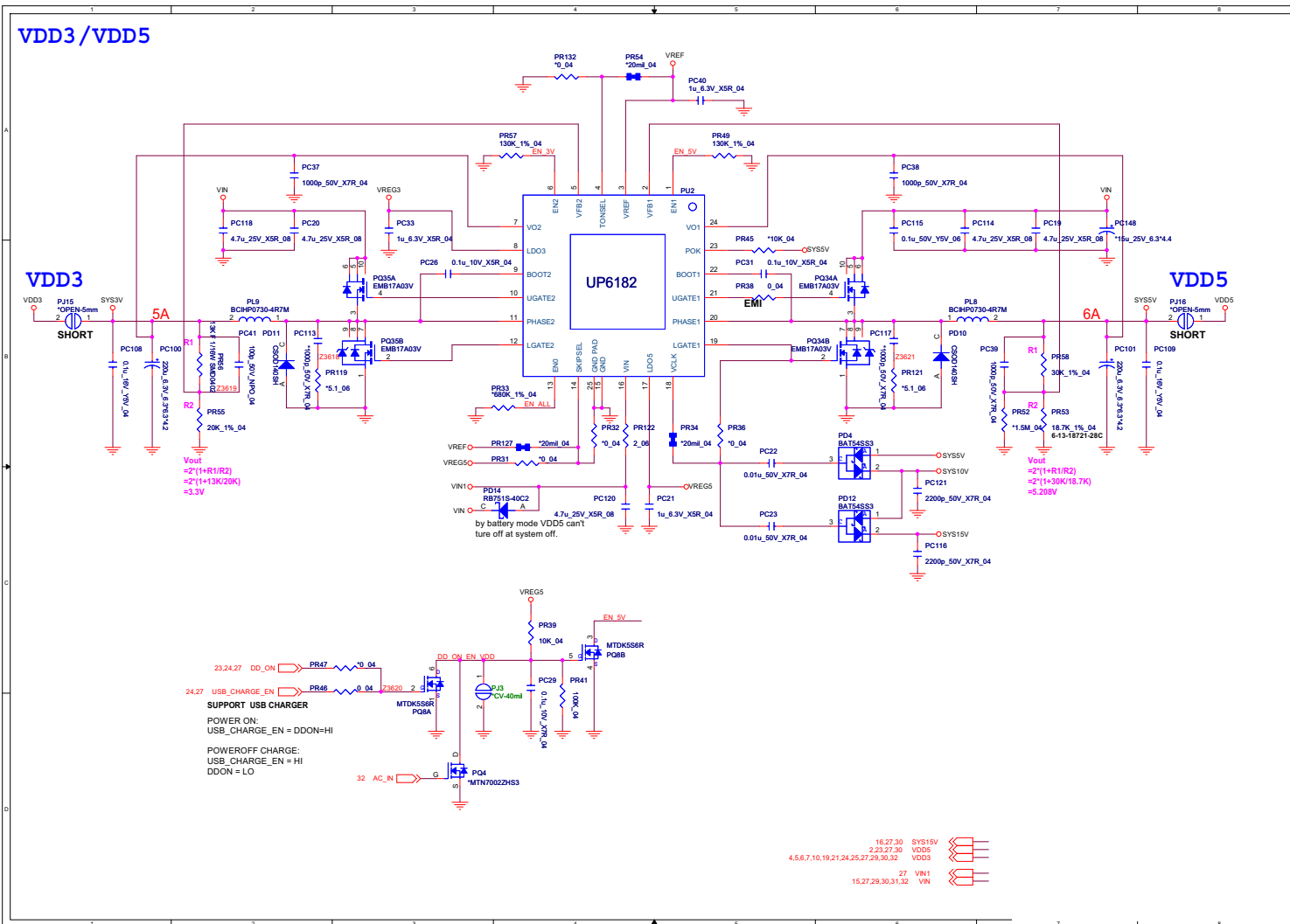
Sheet 26 of 38
HDD, ODD, LED

System Power



Sheet 27 of 38
System Power

VDD3, VDD5

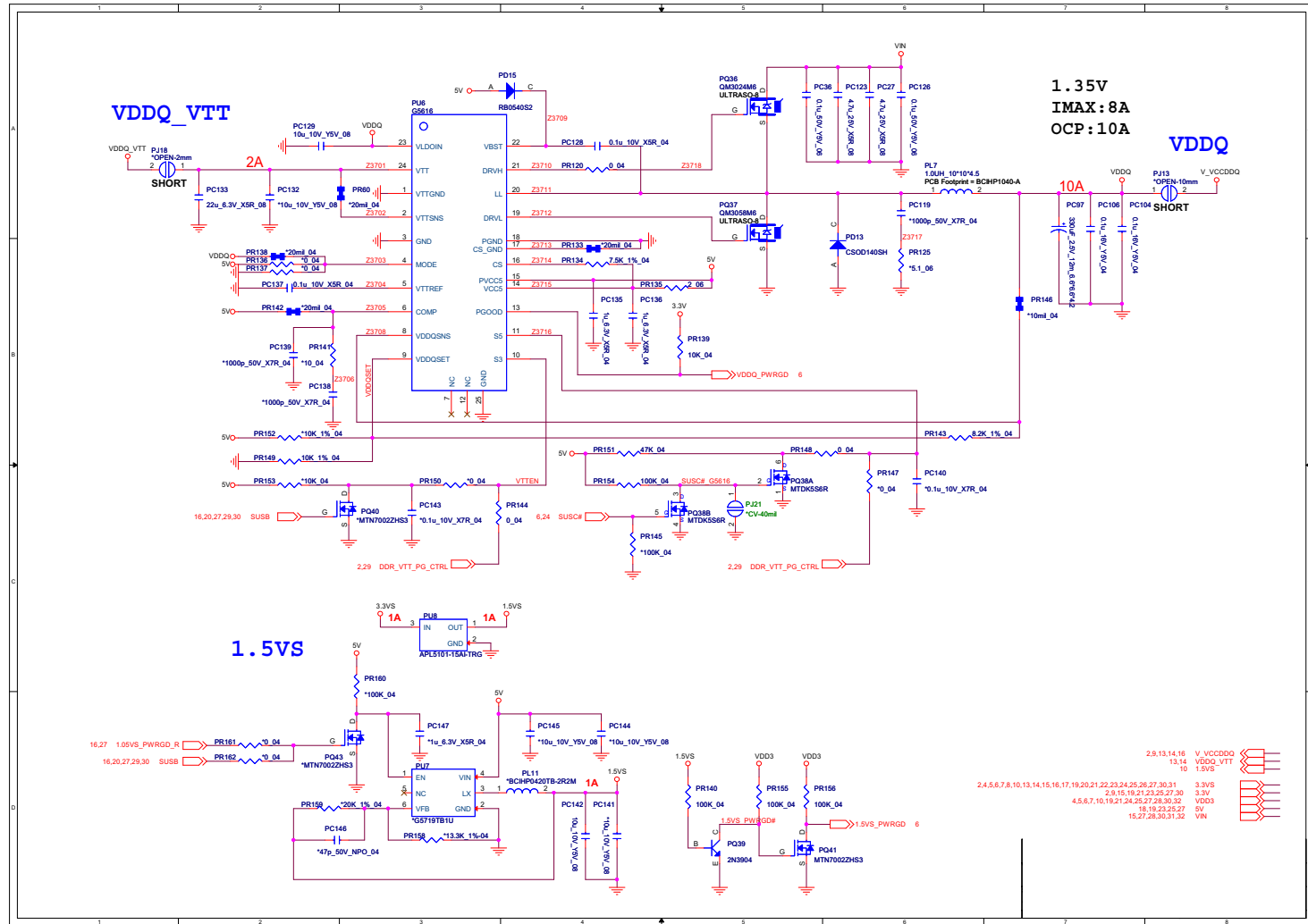


Sheet 28 of 38
VDD3, VDD5

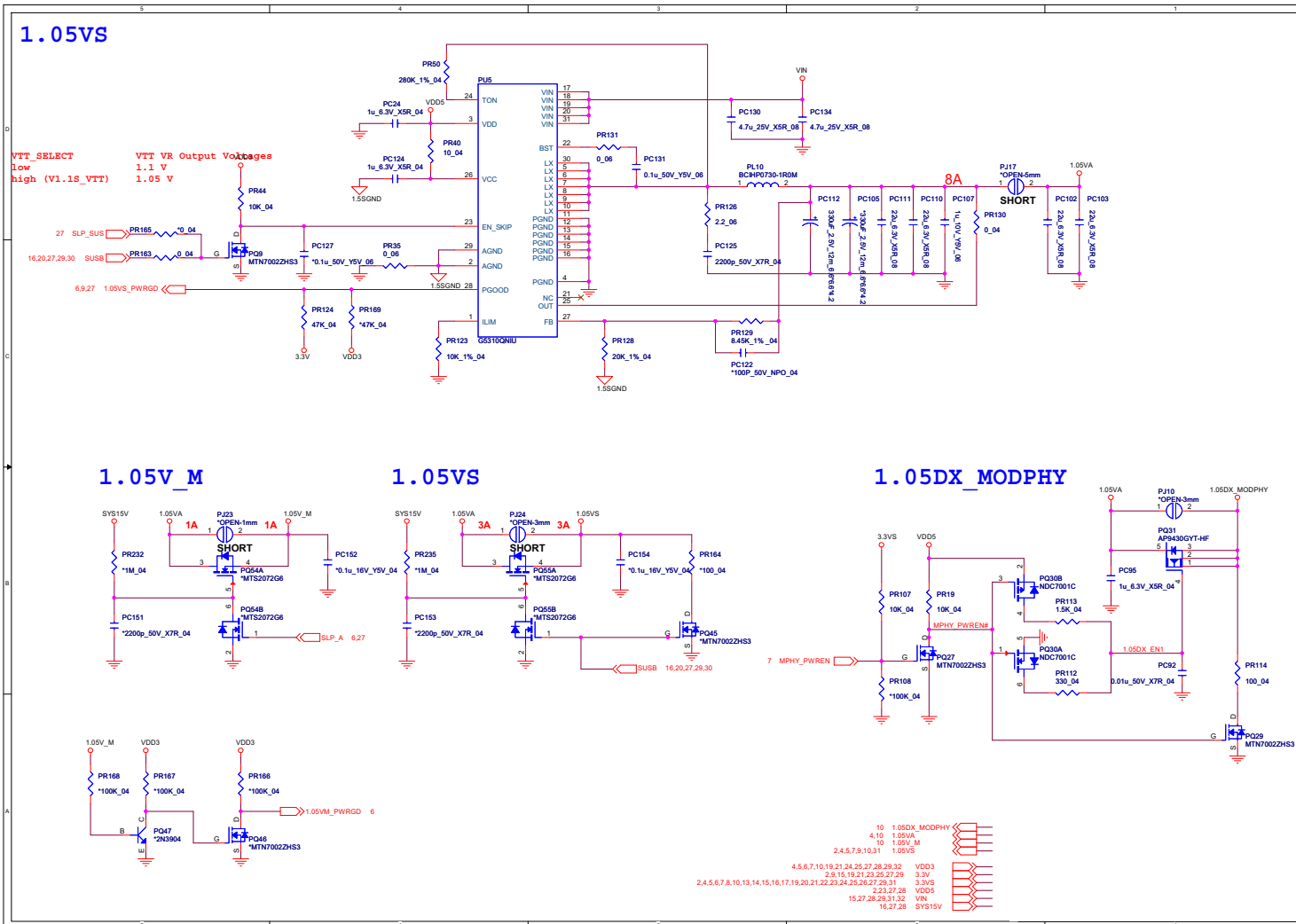
B.Schematic Diagrams

ALC269Q, VT1802S

Sheet 29 of 38
VVDQ, VDDQ_VTT,
1.5VS



1.05V Series



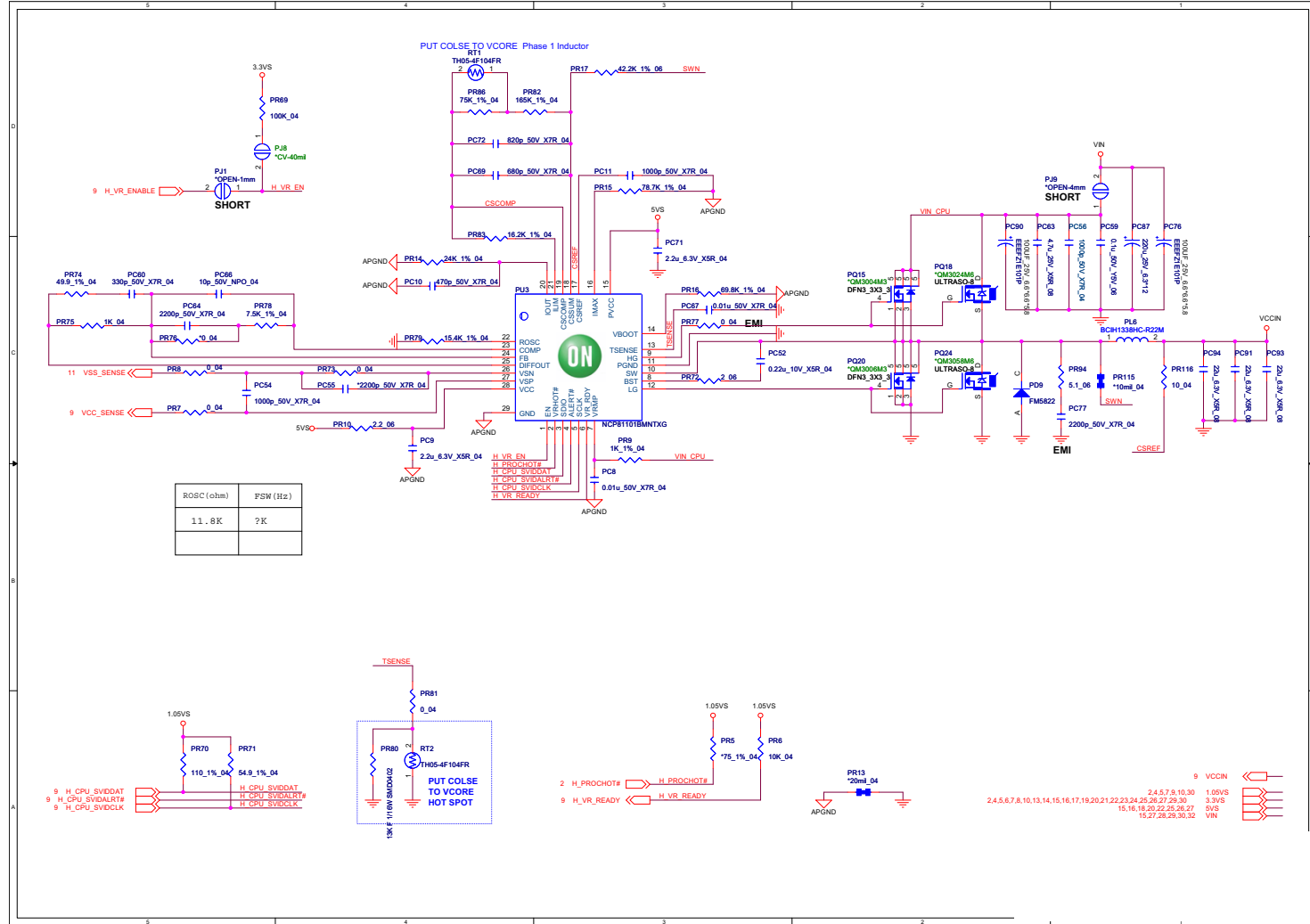
Sheet 30 of 38
1.05V Series

B.Schematic Diagrams

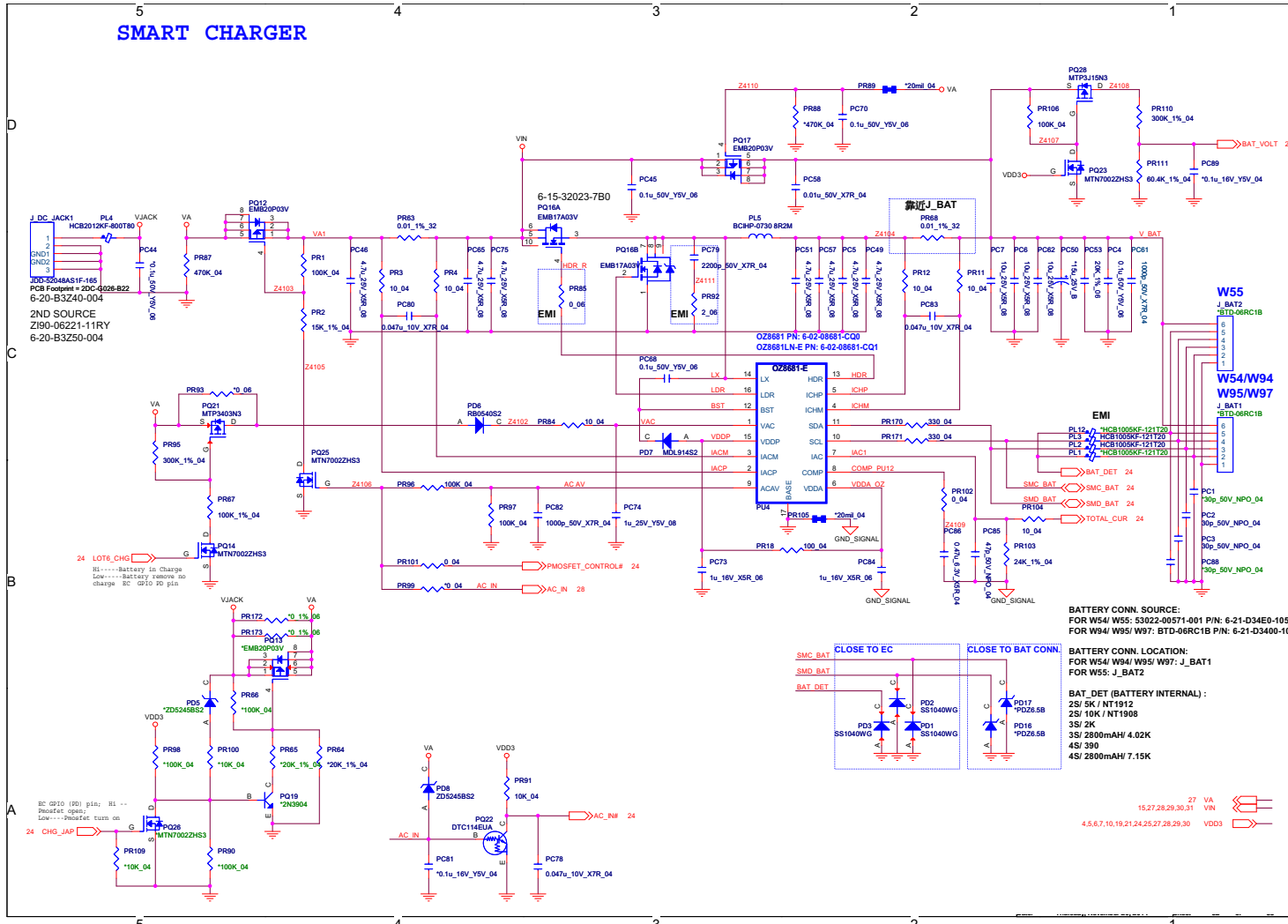
Schematic Diagrams

VCore

Sheet 31 of 38
VCore



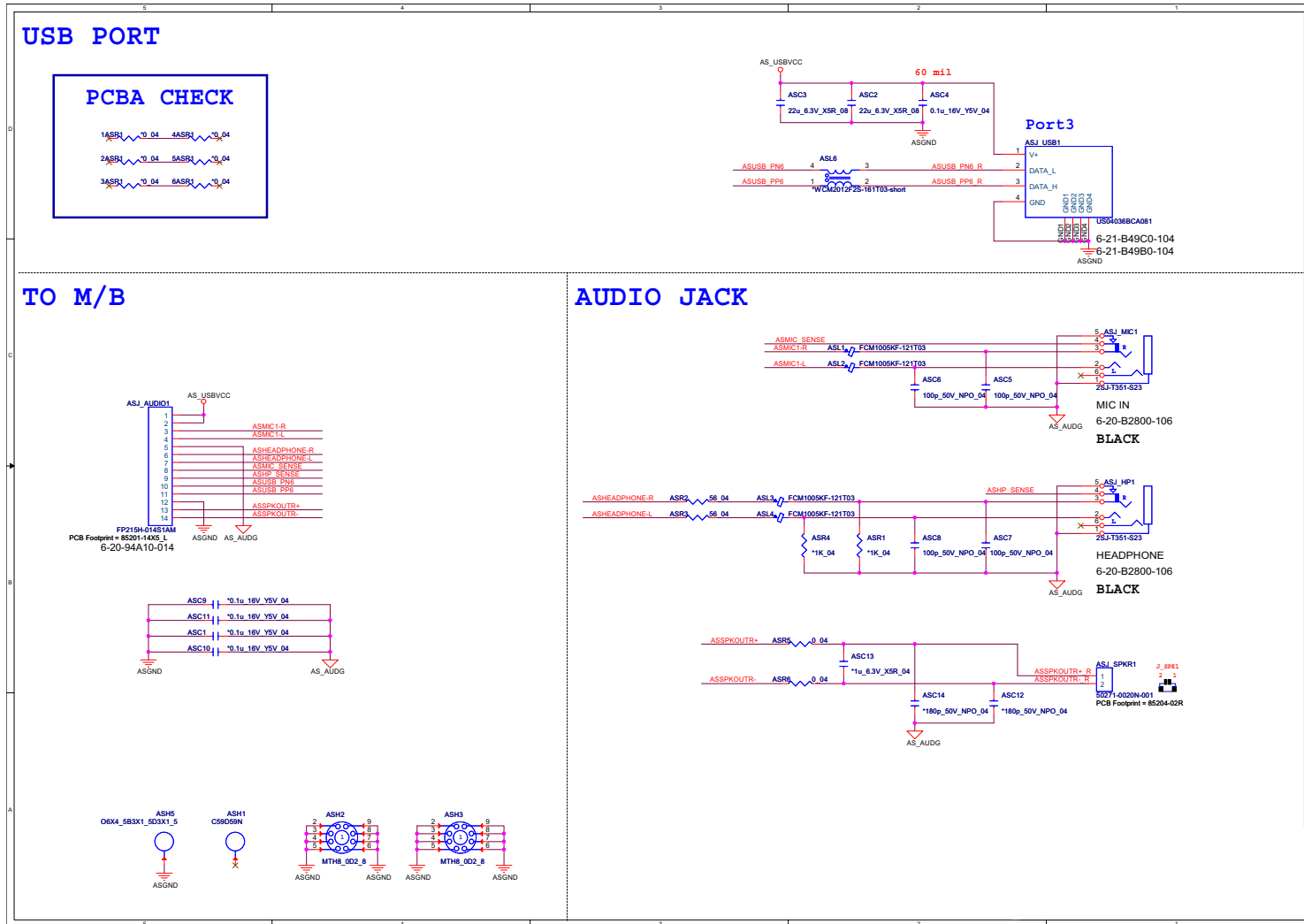
Charger, DC In



Sheet 32 of 38
Charger, DC In

B.Schematic Diagrams

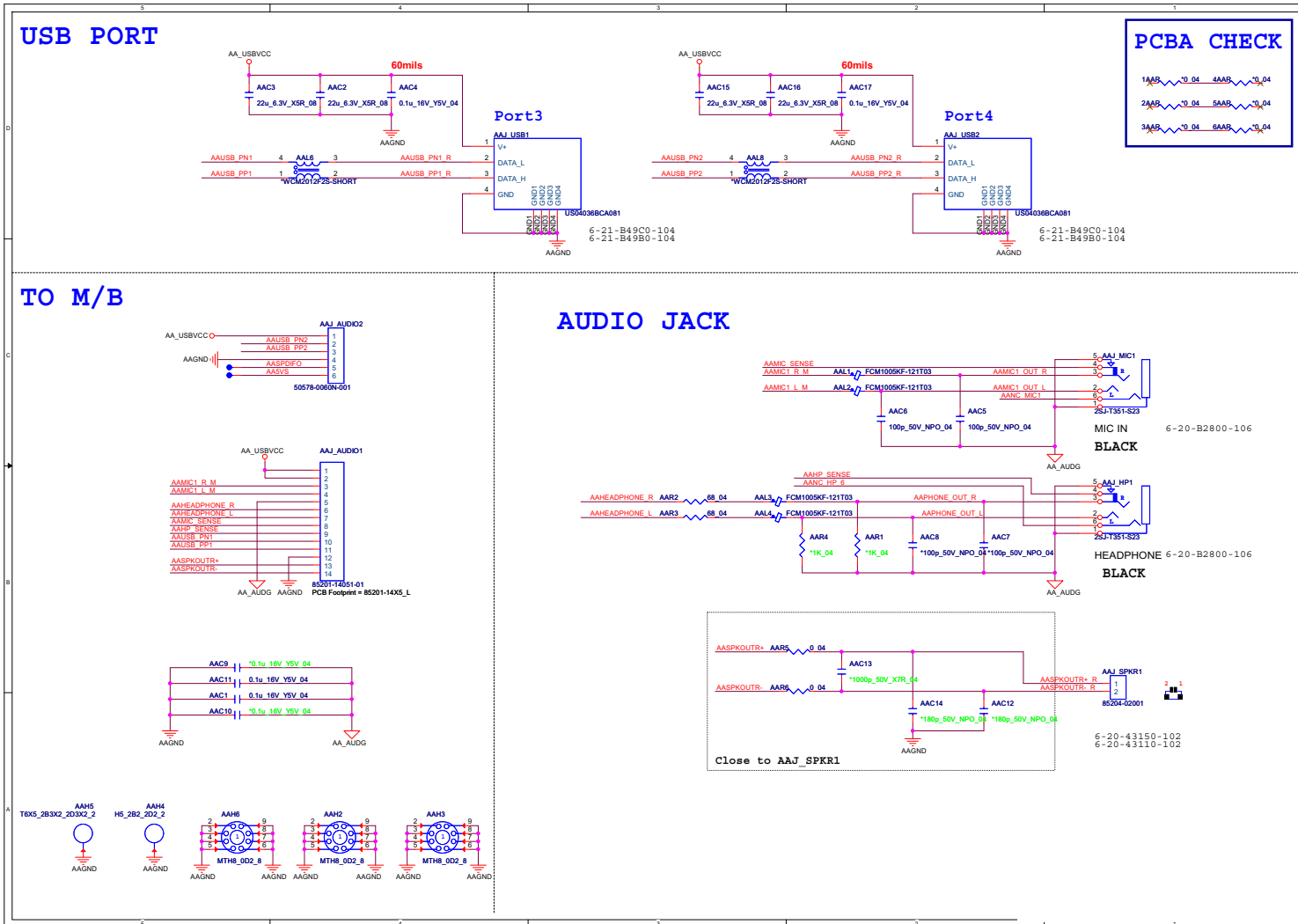
Audio Board



Sheet 33 of 38
Audio Board

B.Schematic Diagrams

Audio Board

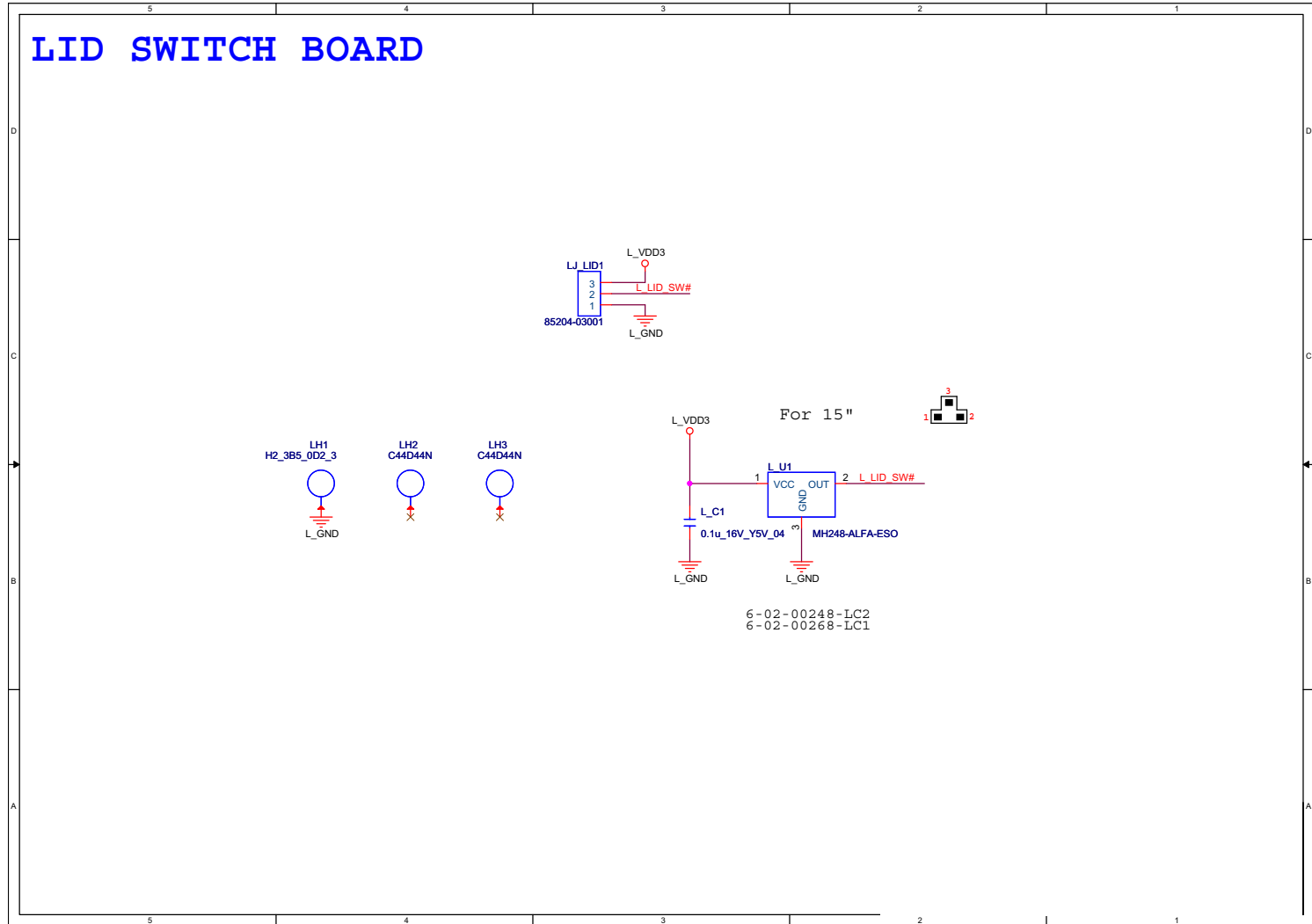


Sheet 34 of 38
Audio Board

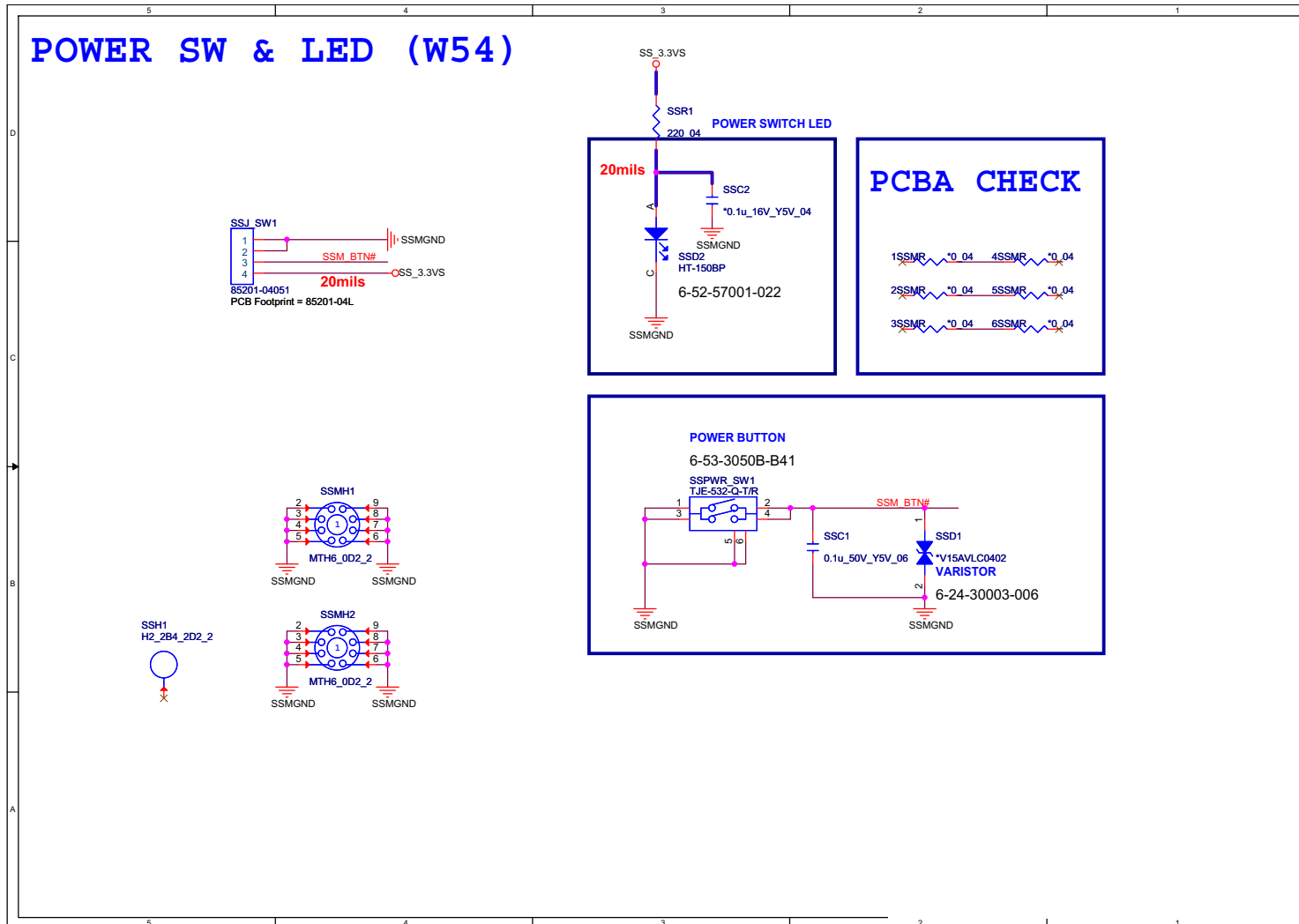
B.Schematic Diagrams

LID Switch Board

Sheet 35 of 38
LID Switch Board



Power Switch Board

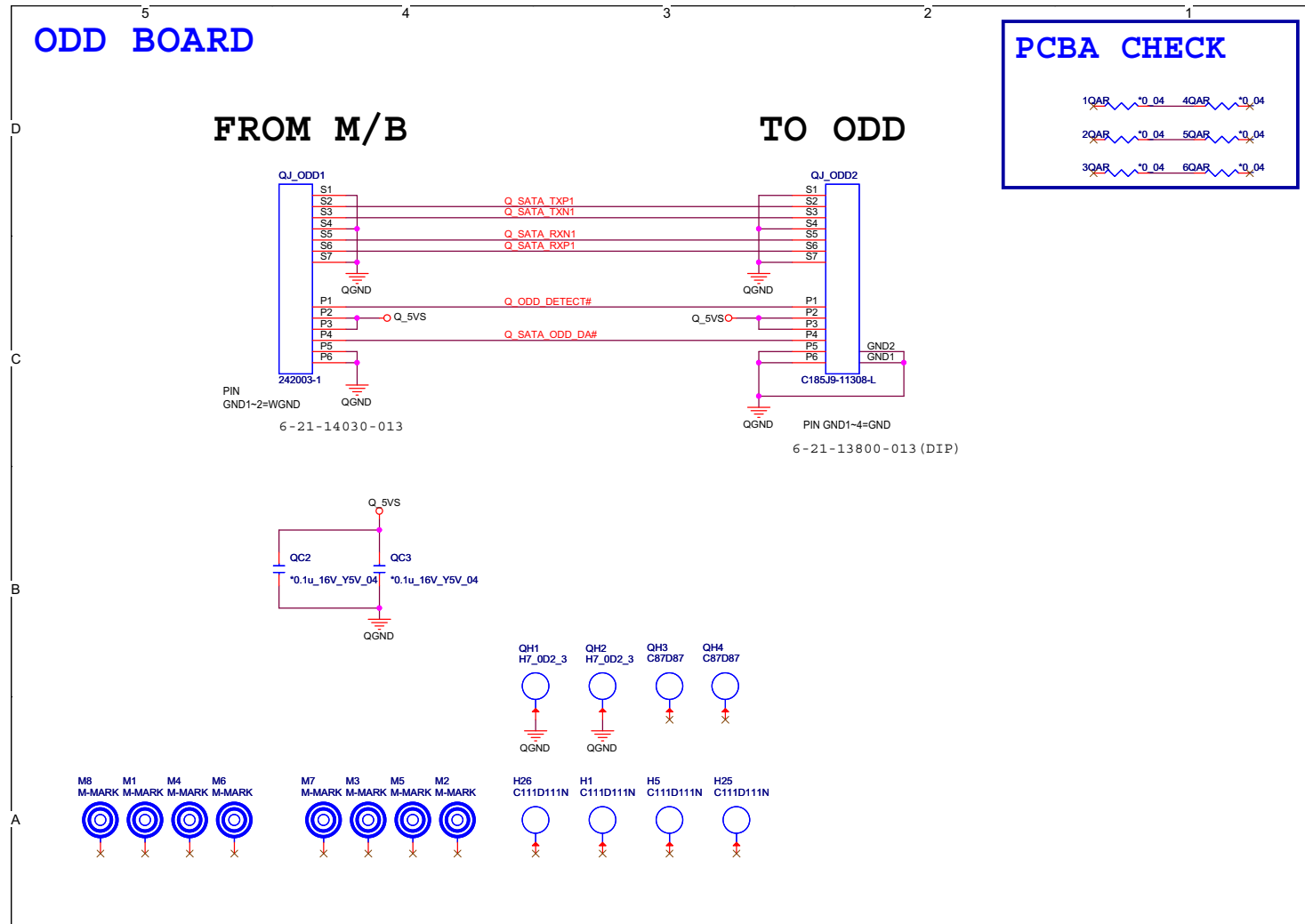


Sheet 36 of 38
Power Switch
Board

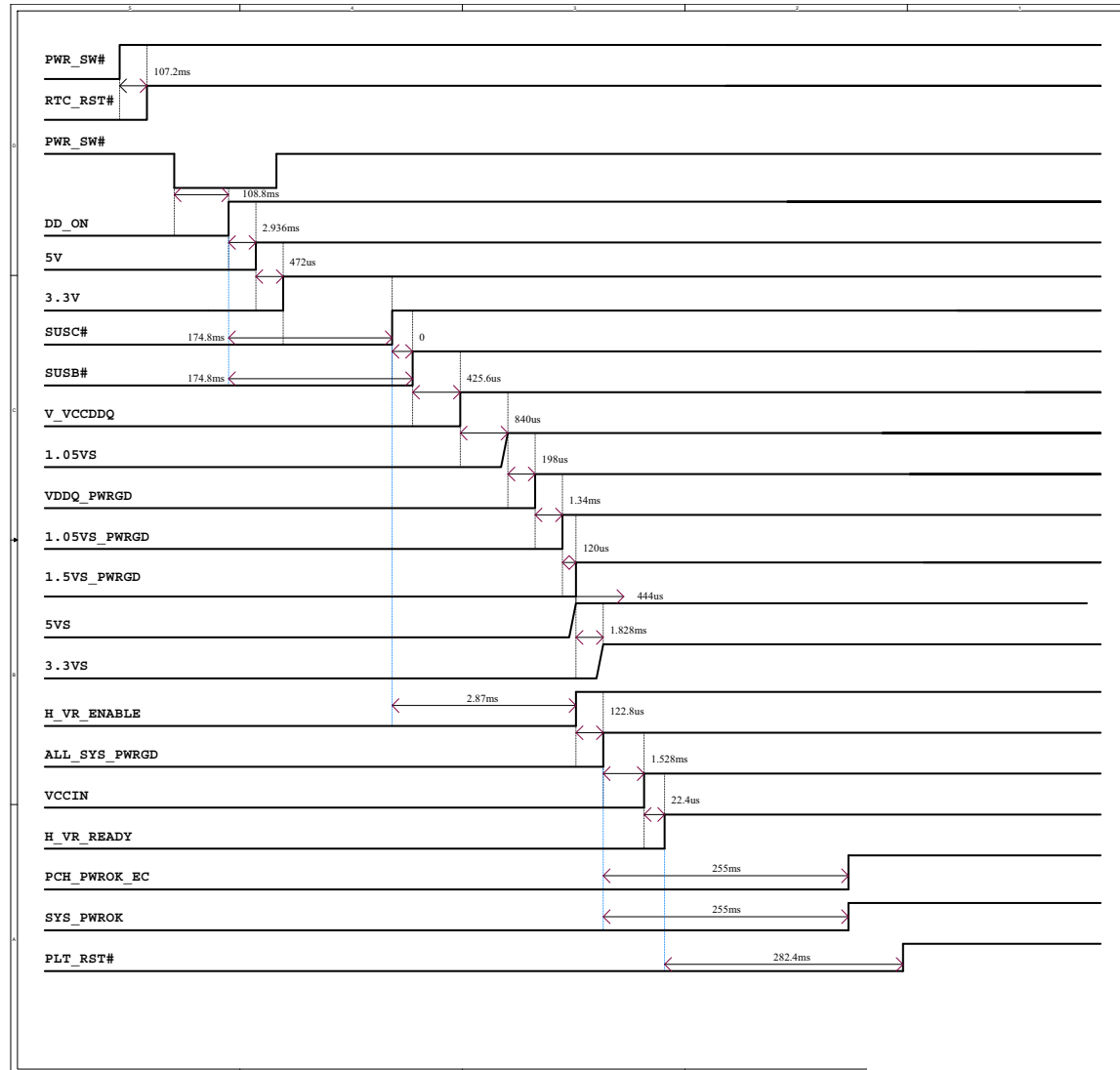
B.Schematic Diagrams

ODD Board

Sheet 37 of 38
ODD Board



Power On Sequence



Sheet 38 of 38
Power On
Sequence

Schematic Diagrams

Appendix C: Updating the FLASH ROM BIOS

To update the FLASH ROM BIOS, you must:

- Download the BIOS update from the web site.
- Unzip the files onto a bootable CD/DVD/USB Flash Drive.
- Reboot your computer from an external CD/DVD/USB Flash Drive.
- Use the flash tools to update the flash BIOS using the commands indicated below.
- Restart the computer booting from the HDD and press **F2** at startup enter the BIOS.
- Load setup defaults from the BIOS and save the default settings and exit the BIOS to restart the computer.
- After rebooting the computer you may restart the computer again and make any required changes to the default BIOS settings.

Download the BIOS

1. Go to www.clevo.com.tw and point to **E-Services** and click **E-Channel**.
2. Use your user ID and password to access the appropriate download area (BIOS), and download the latest BIOS files (the BIOS file will be contained in a batch file that may be run directly once unzipped) for your computer model (see sidebar for important information on BIOS versions).

Unzip the downloaded files to a bootable CD/DVD or USB Flash drive

1. Insert a bootable CD/DVD/USB flash drive into the CD/DVD drive/USB port of the computer containing the downloaded files.
2. Use a tool such as Winzip or Winrar to unzip all the BIOS files and refresh tools to your bootable CD/DVD/USB flash drive (you may need to create a bootable CD/DVD with the files using a 3rd party software).

Set the computer to boot from the external drive

1. With the bootable CD/DVD/USB flash drive containing the BIOS files in your CD/DVD drive/USB port, restart the computer and press **F2** (in most cases) to enter the BIOS.
2. Use the arrow keys to highlight the **Boot** menu.
3. Use the “+” and “-” keys to move boot devices up and down the priority order.
4. Make sure that the CD/DVD drive/USB flash drive is set first in the boot priority of the BIOS.
5. Press **F4** to save any changes you have made and exit the BIOS to restart the computer.



BIOS Version

Make sure you download the latest correct version of the BIOS appropriate for the computer model you are working on.

You should only download BIOS versions that are **V1.00.XX or higher** as appropriate for your computer model.

Note that BIOS versions are not backward compatible and therefore you may not downgrade your BIOS to an older version after upgrading to a later version (e.g if you upgrade a BIOS to ver 1.01.05, you **MAY NOT** then go back and flash the BIOS to ver 1.01.04).

BIOS Update

Use the flash tools to update the BIOS

1. Make sure you are not loading any memory management programs such as HIMEM by holding the **F8** key as you see the message “**Starting MS-DOS**”. You will then be prompted to give “**Y**” or “**N**” responses to the programs being loaded by DOS. Choose “**N**” for any memory management programs.
2. You should now be at the DOS prompt e.g: DISK C:\> (C is the designated drive letter for the CD/DVD drive/USB flash drive).
3. **Type the following command** at the DOS prompt:

C:\> Flash.bat

4. The utility will then proceed to flash the BIOS.
5. You should then be prompted to press any key to restart the system or turn the power off, and then on again but make sure you remove the CD/DVD/USB flash drive from the CD/DVD drive/USB port before the computer restarts.

Restart the computer (booting from the HDD)

1. With the CD/DVD/USB flash drive removed from the CD/DVD drive/USB port the computer should restart from the HDD.
2. Press **F2** as the computer restarts to enter the BIOS.
3. Use the arrow keys to highlight the **Exit** menu.
4. Select **Load Setup Defaults** (or press **F3**) and select “**Yes**” to confirm the selection.
5. Press **F4** to save any changes you have made and exit the BIOS to restart the computer.

Your computer is now running normally with the updated BIOS

You may now enter the BIOS and make any changes you require to the default settings.