

SERVICE MANUAL

W940LU / W945LUQ



notebook

Notebook Computer
W940LU / W945LUQ
Service Manual

Notice

The company reserves the right to revise this publication or to change its contents without notice. Information contained herein is for reference only and does not constitute a commitment on the part of the manufacturer or any subsequent vendor. They assume no responsibility or liability for any errors or inaccuracies that may appear in this publication nor are they in anyway responsible for any loss or damage resulting from the use (or misuse) of this publication.

This publication and any accompanying software may not, in whole or in part, be reproduced, translated, transmitted or reduced to any machine readable form without prior consent from the vendor, manufacturer or creators of this publication, except for copies kept by the user for backup purposes.

Brand and product names mentioned in this publication may or may not be copyrights and/or registered trademarks of their respective companies. They are mentioned for identification purposes only and are not intended as an endorsement of that product or its manufacturer.

Version 1.0
June 2015

Trademarks

Pentium and Celeron are trademarks of Intel Corporation.

Windows[®] is a registered trademark of Microsoft Corporation.

Other brand and product names are trademarks and /or registered trademarks of their respective companies.

About this Manual

This manual is intended for service personnel who have completed sufficient training to undertake the maintenance and inspection of personal computers.

It is organized to allow you to look up basic information for servicing and/or upgrading components of the *W940LU* / *W945LUQ* series notebook PC.

The following information is included:

Chapter 1, Introduction, provides general information about the location of system elements and their specifications.

Chapter 2, Disassembly, provides step-by-step instructions for disassembling parts and subsystems and how to upgrade elements of the system.

Appendix A, Part Lists

Appendix B, Schematic Diagrams

Appendix C, Updating the FLASH ROM BIOS

IMPORTANT SAFETY INSTRUCTIONS

Follow basic safety precautions, including those listed below, to reduce the risk of fire, electric shock and injury to persons when using any electrical equipment:

1. Do not use this product near water, for example near a bath tub, wash bowl, kitchen sink or laundry tub, in a wet basement or near a swimming pool.
2. Avoid using a telephone (other than a cordless type) during an electrical storm. There may be a remote risk of electrical shock from lightning.
3. Do not use the telephone to report a gas leak in the vicinity of the leak.
4. Use only the power cord and batteries indicated in this manual. Do not dispose of batteries in a fire. They may explode. Check with local codes for possible special disposal instructions.
5. This product is intended to be supplied by a Listed Power Unit with an AC Input of 100 - 240V, 50 - 60Hz, DC Output of 19V, 2.1A (**40 Watts**) minimum AC/DC Adapter.

CAUTION

This Computer's Optical Device is a Laser Class 1 Product

FCC Statement

This device complies with Part 15 of the FCC Rules. Operation is subject to the following two conditions:

This device may not cause harmful interference.

This device must accept any interference received, including interference that may cause undesired operation.

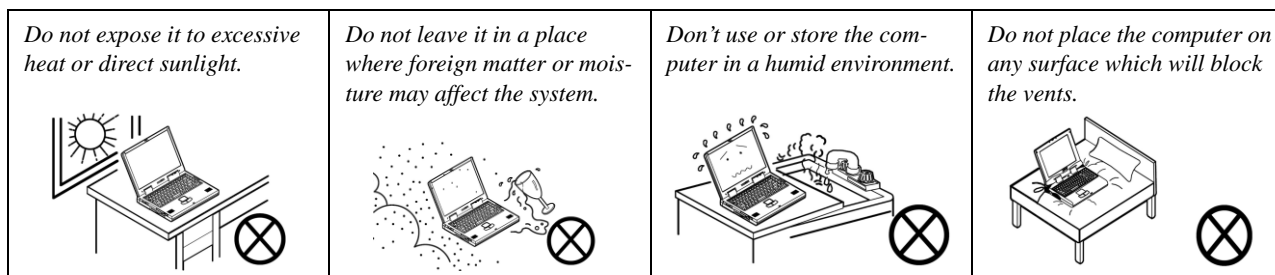
Instructions for Care and Operation

The notebook computer is quite rugged, but it can be damaged. To prevent this, follow these suggestions:

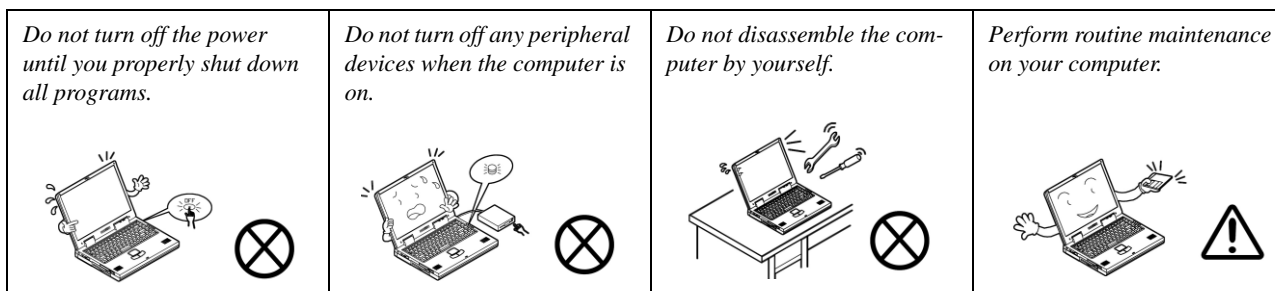
1. **Don't drop it, or expose it to shock.** If the computer falls, the case and the components could be damaged.



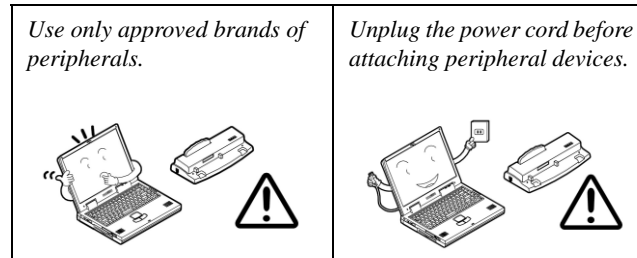
2. **Keep it dry, and don't overheat it.** Keep the computer and power supply away from any kind of heating element. This is an electrical appliance. If water or any other liquid gets into it, the computer could be badly damaged.



3. **Follow the proper working procedures for the computer.** Shut the computer down properly and don't forget to save your work. Remember to periodically save your data as data may be lost if the battery is depleted.



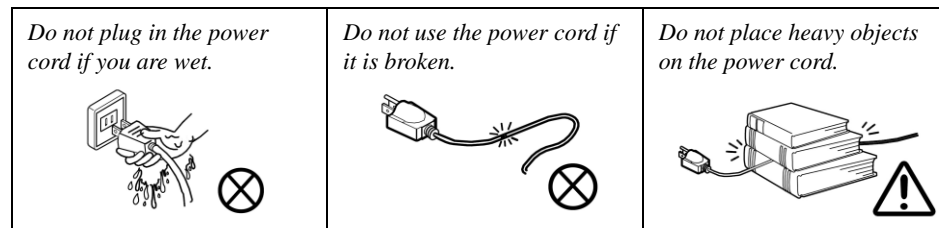
4. **Avoid interference.** Keep the computer away from high capacity transformers, electric motors, and other strong magnetic fields. These can hinder proper performance and damage your data.
5. **Take care when using peripheral devices.**



Power Safety

The computer has specific power requirements:

- Only use a power adapter approved for use with this computer.
- Your AC adapter may be designed for international travel but it still requires a steady, uninterrupted power supply. If you are unsure of your local power specifications, consult your service representative or local power company.
- The power adapter may have either a 2-prong or a 3-prong grounded plug. The third prong is an important safety feature; do not defeat its purpose. If you do not have access to a compatible outlet, have a qualified electrician install one.
- When you want to unplug the power cord, be sure to disconnect it by the plug head, not by its wire.
- Make sure the socket and any extension cord(s) you use can support the total current load of all the connected devices.
- Before cleaning the computer, make sure it is disconnected from any external power supplies.



Power Safety Warning

Before you undertake any upgrade procedures, make sure that you have turned off the power, and disconnected all peripherals and cables (including telephone lines and power cord). It is advisable to also remove your battery in order to prevent accidentally turning the machine on.

Battery Precautions

- Only use batteries designed for this computer. The wrong battery type may explode, leak or damage the computer.
- Do not continue to use a battery that has been dropped, or that appears damaged (e.g. bent or twisted) in any way. Even if the computer continues to work with a damaged battery in place, it may cause circuit damage, which may possibly result in fire.
- Recharge the batteries using the notebook's system. Incorrect recharging may make the battery explode.
- Do not try to repair a battery pack. Refer any battery pack repair or replacement to your service representative or qualified service personnel.
- Keep children away from, and promptly dispose of a damaged battery. Always dispose of batteries carefully. Batteries may explode or leak if exposed to fire, or improperly handled or discarded.
- Keep the battery away from metal appliances.
- Affix tape to the battery contacts before disposing of the battery.
- Do not touch the battery contacts with your hands or metal objects.

Battery Guidelines

The following can also apply to any backup batteries you may have.

- If you do not use the battery for an extended period, then remove the battery from the computer for storage.
- Before removing the battery for storage charge it to 60% - 70%.
- Check stored batteries at least every 3 months and charge them to 60% - 70%.




Battery Disposal

The product that you have purchased contains a rechargeable battery. The battery is recyclable. At the end of its useful life, under various state and local laws, it may be illegal to dispose of this battery into the municipal waste stream. Check with your local solid waste officials for details in your area for recycling options or proper disposal.

Caution

Danger of explosion if battery is incorrectly replaced. Replace only with the same or equivalent type recommended by the manufacturer. Discard used battery according to the manufacturer's instructions.

Battery Level

Click the battery icon  in the taskbar to see the current battery level and charge status. A battery that drops below a level of 10% will not allow the computer to boot up. Make sure that any battery that drops below 10% is recharged within one week.

Related Documents

You may also need to consult the following manual for additional information:

User's Manual on CD/DVD

This describes the notebook PC's features and the procedures for operating the computer and its ROM-based setup program. It also describes the installation and operation of the utility programs provided with the notebook PC.

System Startup

1. Remove all packing materials.
2. Place the computer on a stable surface.
3. Insert the battery and make sure it is locked in position.
4. Securely attach any peripherals you want to use with the computer (e.g. keyboard and mouse) to their ports.
5. Attach the AC/DC adapter to the DC-In jack at the rear of the computer, then plug the AC power cord into an outlet, and connect the AC power cord to the AC/DC adapter.
6. Use one hand to raise the lid/LCD to a comfortable viewing angle (do not exceed 127 degrees); use the other hand (as illustrated in Figure 1) to support the base of the computer (**Note: Never** lift the computer by the lid/LCD).
7. Press the power button to turn the computer "on".

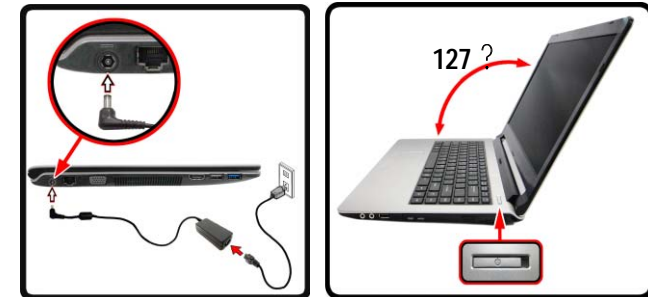



Figure 1
**Opening the Lid/LCD/
Computer with AC/DC
Adapter Plugged-In**




Shut Down

Note that you should always shut your computer down by choosing the **Shut down** command in **Windows** (see below). This will help prevent hard disk or system problems.

Click **Settings** in the **Charms Bar** (use the **Windows Logo Key**  + **C** key combination to access the Charms Bar) and choose **Shut down** from the **Power** menu.

Or

Choose **Shut down or sign out > Shut down** from the context menu (use the **Windows Logo Key**  + **X** key combination to access the context menu).

Contents

Introduction1-1

Overview	1-1
Specifications	1-2
External Locator - Top View with LCD Panel Open	1-4
External Locator - Front & Right Side Views	1-5
External Locator - Left Side & Rear View	1-6
External Locator - Bottom View	1-7
Mainboard Overview - Top (Key Parts)	1-8
Mainboard Overview - Bottom (Key Parts)	1-9
Mainboard Overview - Top (Connectors)	1-10
Mainboard Overview - Bottom (Connectors)	1-11

Disassembly2-1

Overview	2-1
Maintenance Tools	2-2
Connections	2-2
Maintenance Precautions	2-3
Disassembly Steps	2-4
Removing the Battery	2-5
Removing the Optical (CD/DVD) Device	2-7
Installing and Removing the Dummy ODD Bezel	2-9
Removing the Hard Disk Drive	2-10
Removing the System Memory (RAM)	2-12
Removing the Keyboard	2-14
Removing the Wireless LAN Module	2-15
Wireless LAN, and Combo Module Cables	2-16
Removing the CCD	2-17

Part ListsA-1

Part List Illustration Location	A-2
Top (4W) Stand (W940LU)	A-3

Top (4W) Positivo (W940LU)	A-4
Top (6W) Stand (W940LU)	A-5
Top (6W) Positivo (W940LU)	A-6
Top (4W) W945LUQ	A-7
Top (6W) W945LUQ	A-8
Bottom - ODD (W940LU)	A-9
Bottom - Dummy (W940LU)	A-10
Bottom (W945LUQ)	A-11
LCD (W940LU)	A-12
LCD (W945LUQ)	A-13
DVD DUAL (W940LU)	A-14
DVD DUAL (W945LUQ)	A-15
HDD (W945LUQ)	A-16

Schematic Diagrams.....B-1

System Block Diagram	B-2
Processor 1/9	B-3
Processor 2/9	B-4
Processor 3/9	B-5
Processor 4/8	B-6
Processor 5/8	B-7
Processor 6/8	B-8
Processor 7/8	B-9
Processor 8/9	B-10
Processor 9/9	B-11
DDR3 SO-DIMM_A	B-12
DDR3 SO-DIMM_B	B-13
PS8625	B-14
CRT	B-15
Panel	B-16
HDMI	B-17

Preface

Audio Codec	B-18
USB Hub	B-19
LAN / Card Reader	B-20
TPM, G Sensor	B-21
Conn, Fan, Click, CCD	B-22
HDD, ODD, LED, LID	B-23
NGFF	B-24
USB, Touch Panel, TV	B-25
KBC ITE IT8987E	B-26
5V, 3.3V, 1.8VA	B-27
VDD3, VDD5	B-28
VDD 1.8/1.15VA	B-29
VTT_MEM / 1.35V	B-30
1.5VS/1.24VA	B-31
VGG	B-32
VCore	B-33
AC-In, Charger	B-34
Level Shifter 1	B-35
Level Shifter 2	B-36
Audio Board	B-37
Power SW Board	B-38
Power Diagram	B-39
Power Sequence	B-40
Updating the FLASH ROM BIOS.....	C-1
Download the BIOS	C-1
Unzip the downloaded files to a bootable CD/DVD/ or	
USB Flash drive	C-1
Set the computer to boot from the external drive	C-1
Use the flash tools to update the BIOS	C-2
Restart the computer (booting from the HDD)	C-2

Chapter 1: Introduction

Overview

This manual covers the information you need to service or upgrade the **W940LU / W945LUQ** series notebook computer. Information about operating the computer (e.g. getting started, and the *Setup* utility) is in the *User's Manual*. Information about drivers (e.g. VGA & audio) is also found in the *User's Manual*. The manual is shipped with the computer.

Operating systems (e.g. *Window 8.1*, etc.) have their own manuals as do application softwares (e.g. word processing and database programs). If you have questions about those programs, you should consult those manuals.

The **W940LU / W945LUQ** series notebook is designed to be upgradeable. See [Disassembly on page 2 - 1](#) for a detailed description of the upgrade procedures for each specific component. Please take note of the warning and safety information indicated by the “⚠” symbol.

The balance of this chapter reviews the computer's technical specifications and features.

Specifications



Latest Specification Information

The specifications listed here are correct at the time of sending them to the press. Certain items (particularly processor types/speeds) may be changed, delayed or updated due to the manufacturer's release schedule. Check with your service center for more details.



CPU

The CPU is not a user serviceable part. Accessing the CPU in any way may violate your warranty.

Processor Options

Intel® Pentium® Processor

N3700 (1.60GHz)

2MB Smart Cache, 14nm, DDR3L-1600MHz, TDP 6W

Intel® Celeron® Processor

N3150 (1.60GHz), N3050 (1.60GHz)

2MB Smart Cache, 14nm, DDR3L-1600MHz, TDP 6W

N3000 (1.04GHz)

2MB Smart Cache, 14nm, DDR3L-1600MHz, TDP 4W

BIOS

64Mb SPI Flash ROM

AMI BIOS

Memory

Two 204 Pin SO-DIMM Sockets Supporting **DDR3L**

1600MHz Memory

Memory Expandable up to 8GB

LCD Options

14" (35.56cm) HD, HD+ (Thickness: 3.6mm)

Video Adapter

Intel HD Graphics

Dynamic Frequency

Intel Dynamic Video Memory Technology

Microsoft DirectX®11.1 Compatible

Audio

High Definition Audio Compliant Interface

2 * Built-In Speakers

Built-In Microphone

Security

Security (Kensington® Type) Lock Slot

BIOS Password

Intel® PTT

Storage

One Changeable 2.5" **7mm** (h) SATA **HDD**

(**Factory Option**) One 9.5mm(h) Optical Device Type Drive (Super Multi Drive)

Or

(**Factory Option**) Dummy ODD

Pointing Device

Built-in Touchpad

Keyboard

"WinKey" keyboard (with embedded numeric keypad)

M.2 Slots

Slot 1 for **WLAN and Bluetooth** Combo Module

(**Factory Option**) Slot 2 for **3G** or **4G** Module

Interface

One HDMI-Out Port

One External Monitor Port

One Headphone-Out Jack

One Microphone-In Jack

One RJ-45 LAN Jack

Two USB 3.0 Ports

One DC-in Jack

One USB 2.0 Port

Communication

Built-In Gigabit Ethernet LAN
1.0M HD PC Camera Module
(Factory Option) 3G or 4G M.2 Module

WLAN/Bluetooth M.2 Modules:

(Factory Option) Intel® Wireless-AC 3165 Wireless LAN
(802.11ac) + Bluetooth 4.0

(Factory Option) Intel® Wireless-N 7265 Wireless LAN
(802.11b/g/n) + Bluetooth 4.0

(Factory Option) Third-Party Wireless LAN **(802.11b/g/n)** +
Bluetooth 4.0

Card Reader

Embedded Multi-In-1 Card Reader
MMC (MultiMedia Card) / RS MMC
SD (Secure Digital) / Mini SD / SDHC/ SDXC
MS (Memory Stick) / MS Pro / MS Duo

Environmental Spec

Temperature

Operating: 5°C - 35°C

Non-Operating: -20°C - 60°C

Relative Humidity

Operating: 20% - 80%

Non-Operating: 10% - 90%

Power

Full Range AC/DC Adapter
AC Input: 100 - 240V, 50 - 60Hz
DC Output: 19V, 2.1A **(40W)**

Built-in 4 Cell Smart Lithium-Ion Battery Pack, 32WH

(Factory Option) Built-in 3 Cell Smart Lithium-Ion Battery
Pack, 24WH

(Factory Option) Built-in 4 Cell Smart Lithium-Ion Battery
Pack, 44WH

(Factory Option) Built-in 6 Cell Smart Lithium-Ion Battery
Pack, 48WH

Dimensions & Weight

340mm (w) * 242mm (d) * 26.5mm (h)
(Height Excluding Battery Area)

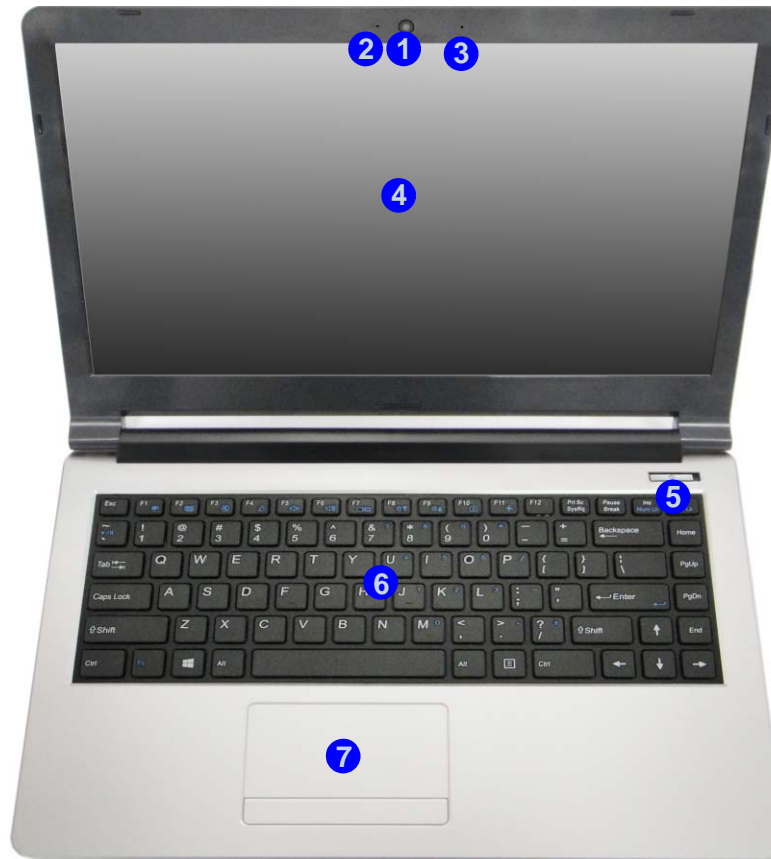
2.0kg (Barebone with ODD and 32WH Battery)

Introduction

Figure 1
Top View

1. PC Camera
2. *PC Camera LED
**When the PC camera is in use, the LED will be illuminated in red.*
3. Built-In Microphone
4. LCD
5. Power Button
6. Keyboard
7. Touchpad & Buttons

External Locator - Top View with LCD Panel Open



External Locator - Front & Right Side Views

FRONT VIEW



Figure 2
Front View

1. LED Indicator
2. Multi-in-1 Card Reader

RIGHT SIDE VIEW



Figure 3
Right Side View

1. Microphone-In Jack
2. Headphone-Out Jack
3. USB 2.0 Port
4. Optical Device Drive Bay
5. Emergency Eject Hole
6. Security Lock Slot

Introduction

External Locator - Left Side & Rear View

Figure 4
Left Side View

- 1. DC-In Jack
- 2. RJ-45 LAN Jack
- 3. External Monitor Port
- 4. Vent
- 5. HDMI-Out Port
- 6. USB 3.0 Ports

LEFT SIDE VIEW



Figure 5
Rear View

REAR VIEW



External Locator - Bottom View

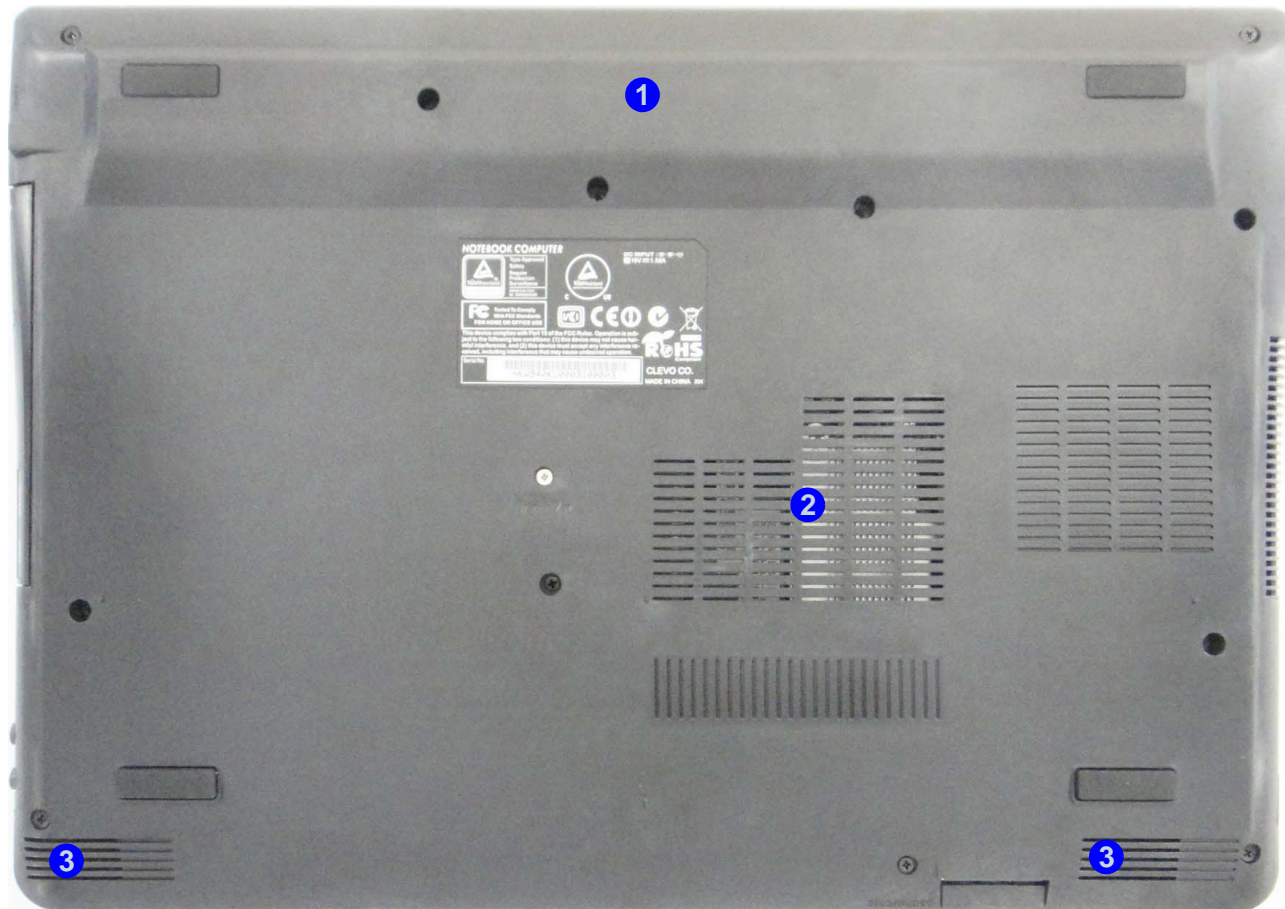


Figure 6
Bottom View

1. Battery Location
2. Vent
3. Speakers



Overheating

To prevent your computer from overheating, make sure nothing blocks any vent while the computer is in use.

Introduction

Figure 7
Mainboard Top
Key Parts

1. KBC-ITE IT8587

Mainboard Overview - Top (Key Parts)



Mainboard Overview - Bottom (Key Parts)

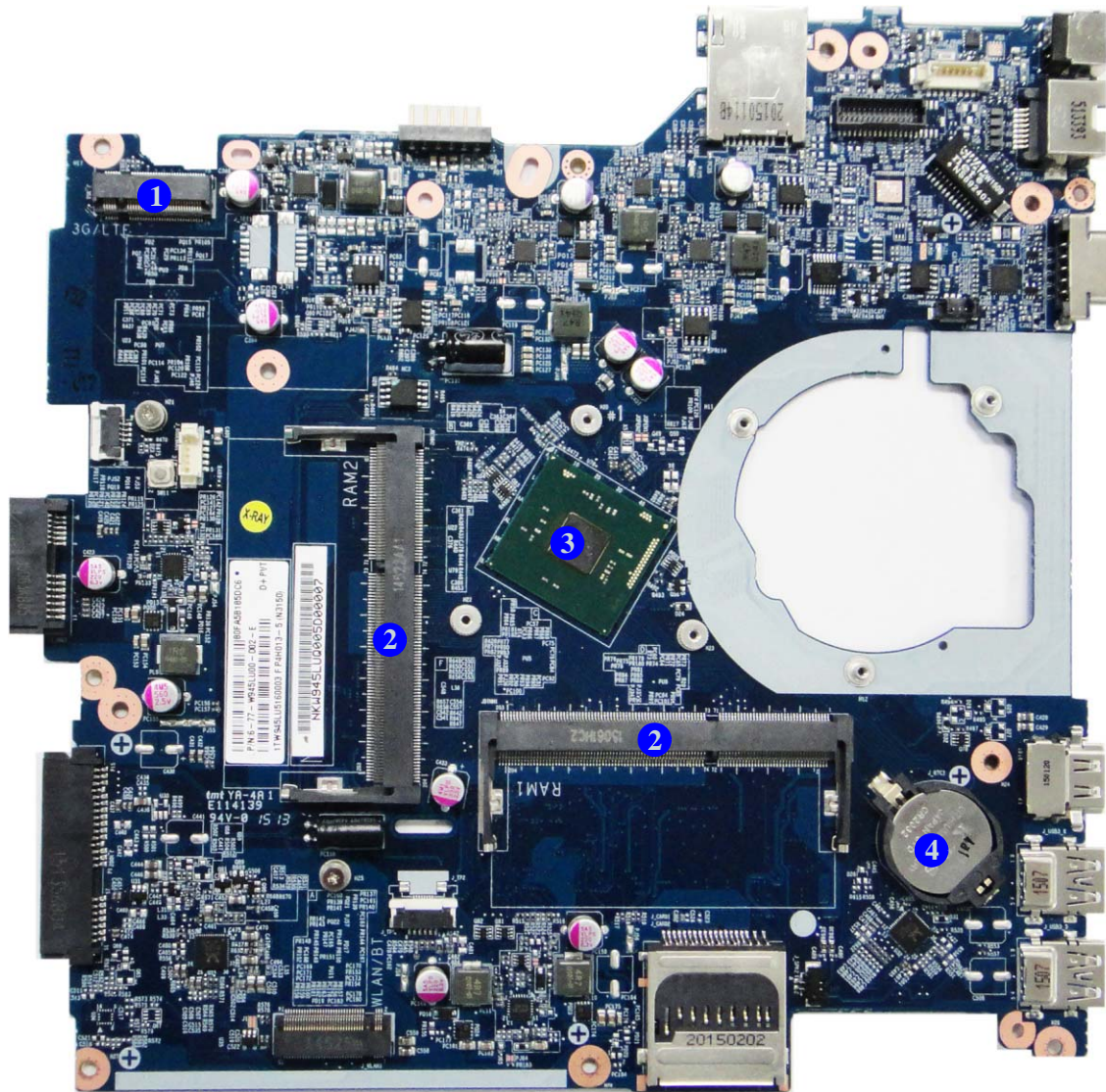


Figure 8
**Mainboard Bottom
Key Parts**

1. M.2 Card Connector
2. Memory Slots
DDR3 SO-DIMM
3. CPU
4. CMOS Battery

Introduction

Figure 9
**Mainboard Top
Connectors**

1. HDMI-Out Port
2. USB Ports 3.0
3. Keyboard Cable Connector
4. Audio Board Cable Connector

Mainboard Overview - Top (Connectors)



Mainboard Overview - Bottom (Connectors)

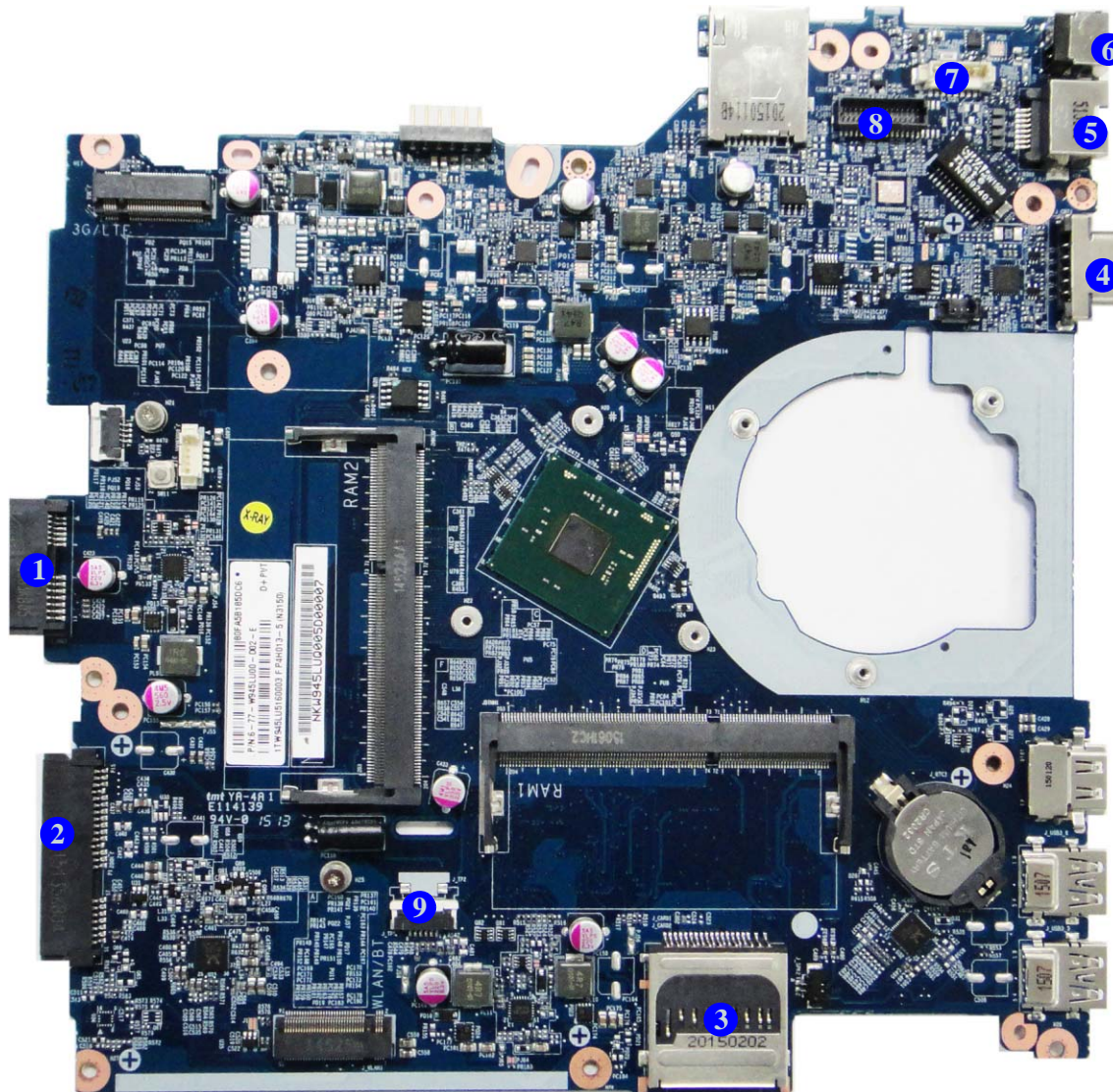


Figure 10
**Mainboard Bottom
Connectors**

1. ODD Connector
2. HDD Connector
3. Multi-in-1 Card Reader
4. External Monitor Port
5. RJ-45 LAN Jack
6. DC-In Jack
7. CCD Connector
8. LCD Cable Connector
9. Touchpad Connector


Chapter 2: Disassembly

Overview

This chapter provides step-by-step instructions for disassembling the *W940LU / W945LUQ* series notebook's parts and subsystems. When it comes to reassembly, reverse the procedures (unless otherwise indicated).

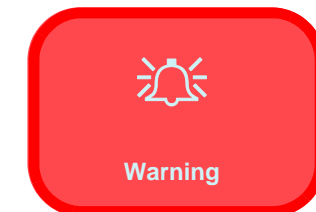
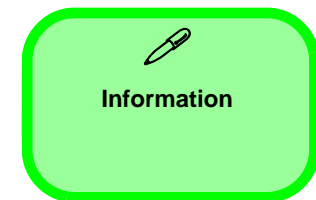
We suggest you completely review any procedure before you take the computer apart.

Procedures such as upgrading/replacing the RAM, optical device and hard disk are included in the User's Manual but are repeated here for your convenience.

To make the disassembly process easier each section may have a box in the page margin. Information contained under the figure # will give a synopsis of the sequence of procedures involved in the disassembly procedure. A box with a  lists the relevant parts you will have after the disassembly process is complete. **Note:** The parts listed will be for the disassembly procedure listed ONLY, and not any previous disassembly step(s) required. Refer to the part list for the previous disassembly procedure. The amount of screws you should be left with will be listed here also.

A box with a  will also provide any possible helpful information. A box with a  contains warnings.

An example of these types of boxes are shown in the sidebar.



Disassembly

NOTE: All disassembly procedures assume that the system is turned **OFF**, and disconnected from any power supply (the battery is removed too).

Maintenance Tools

The following tools are recommended when working on the notebook PC:

- M3 Philips-head screwdriver
- M2.5 Philips-head screwdriver (magnetized)
- M2 Philips-head screwdriver
- Small flat-head screwdriver
- Pair of needle-nose pliers
- Anti-static wrist-strap

Connections

Connections within the computer are one of four types:

Locking collar sockets for ribbon connectors	To release these connectors, use a small flat-head screwdriver to gently pry the locking collar away from its base. When replacing the connection, make sure the connector is oriented in the same way. The pin1 side is usually not indicated.
Pressure sockets for multi-wire connectors	To release this connector type, grasp it at its head and gently rock it from side to side as you pull it out. Do not pull on the wires themselves. When replacing the connection, do not try to force it. The socket only fits one way.
Pressure sockets for ribbon connectors	To release these connectors, use a small pair of needle-nose pliers to gently lift the connector away from its socket. When replacing the connection, make sure the connector is oriented in the same way. The pin1 side is usually not indicated.
Board-to-board or multi-pin sockets	To separate the boards, gently rock them from side to side as you pull them apart. If the connection is very tight, use a small flat-head screwdriver - use just enough force to start.

Maintenance Precautions

The following precautions are a reminder. To avoid personal injury or damage to the computer while performing a removal and/or replacement job, take the following precautions:

1. **Don't drop it.** Perform your repairs and/or upgrades on a stable surface. If the computer falls, the case and other components could be damaged.
2. **Don't overheat it.** Note the proximity of any heating elements. Keep the computer out of direct sunlight.
3. **Avoid interference.** Note the proximity of any high capacity transformers, electric motors, and other strong magnetic fields. These can hinder proper performance and damage components and/or data. You should also monitor the position of magnetized tools (i.e. screwdrivers).
4. **Keep it dry.** This is an electrical appliance. If water or any other liquid gets into it, the computer could be badly damaged.
5. **Be careful with power.** Avoid accidental shocks, discharges or explosions.
 - Before removing or servicing any part from the computer, turn the computer off and detach any power supplies.
 - When you want to unplug the power cord or any cable/wire, be sure to disconnect it by the plug head. Do not pull on the wire.
6. **Peripherals** – Turn off and detach any peripherals.
7. **Beware of static discharge.** ICs, such as the CPU and main support chips, are vulnerable to static electricity. Before handling any part in the computer, discharge any static electricity inside the computer. When handling a printed circuit board, do not use gloves or other materials which allow static electricity buildup. We suggest that you use an anti-static wrist strap instead.
8. **Beware of corrosion.** As you perform your job, avoid touching any connector leads. Even the cleanest hands produce oils which can attract corrosive elements.
9. **Keep your work environment clean.** Tobacco smoke, dust or other air-borne particulate matter is often attracted to charged surfaces, reducing performance.
10. **Keep track of the components.** When removing or replacing any part, be careful not to leave small parts, such as screws, loose inside the computer.

Cleaning

Do not apply cleaner directly to the computer, use a soft clean cloth.

Do not use volatile (petroleum distillates) or abrasive cleaners on any part of the computer.



Power Safety Warning

Before you undertake any upgrade procedures, make sure that you have turned off the power, and disconnected all peripherals and cables (including telephone lines and power cord). It is advisable to also remove your battery in order to prevent accidentally turning the machine on.

Disassembly Steps

The following table lists the disassembly steps, and on which page to find the related information. **PLEASE PERFORM THE DISASSEMBLY STEPS IN THE ORDER INDICATED.**

To remove the Battery:

1. Remove the battery *page 2 - 5*

To remove the Optical Device:

1. Remove the battery *page 2 - 5*
2. Remove the optical device *page 2 - 7*

To remove the HDD:

1. Remove the battery *page 2 - 5*
2. Remove the HDD *page 2 - 10*

To remove the System Memory:

1. Remove the battery *page 2 - 5*
2. Remove the system memory *page 2 - 12*

To remove the Keyboard:

1. Remove the battery *page 2 - 5*
2. Remove the keyboard *page 2 - 14*

To remove the Wireless LAN Module:

1. Remove the battery *page 2 - 5*
2. Remove the WLAN *page 2 - 15*

To remove the CCD Module:

1. Remove the battery *page 2 - 5*
2. Remove the CCD module *page 2 - 17*

Removing the Battery

1. Turn **off** the computer, turn it over.
2. Remove screws **1** - **13** from the bottom case (*Figure 1a*).
3. Carefully separate the bottom cover **14** from the top case in the direction of the arrow at point **15** - **18** (*Figure 1b*).
4. The battery will be visible at point **19** (*Figure 1c*).

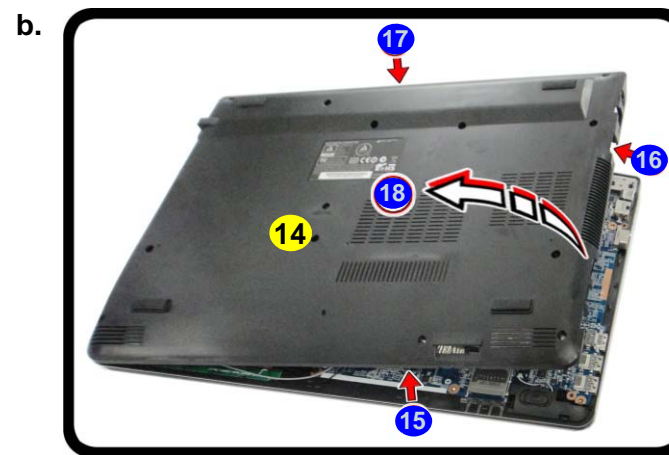
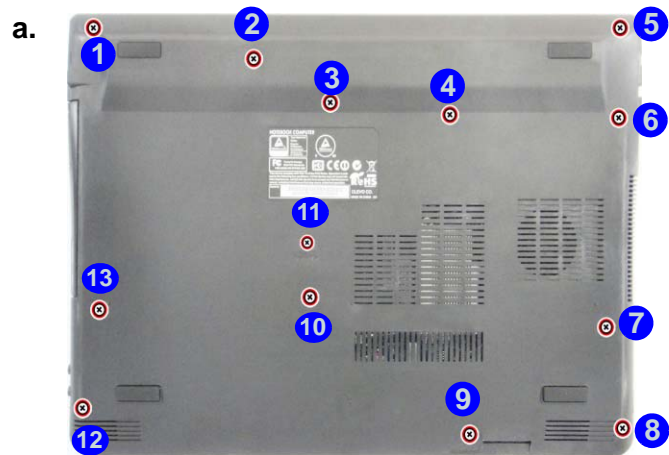
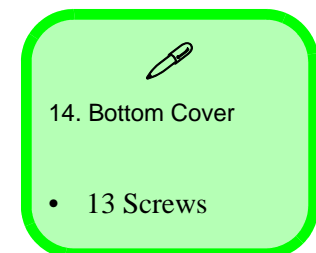


Figure 1
Battery Removal

- a. Remove screws from the bottom case.
- b. Separate the top and bottom case.
- c. The battery will be visible.



14. Bottom Cover

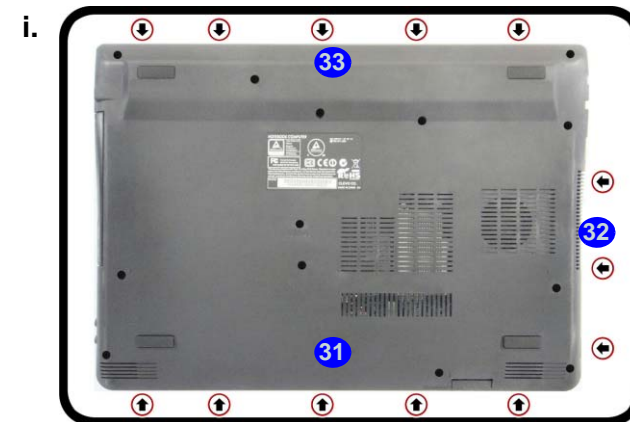
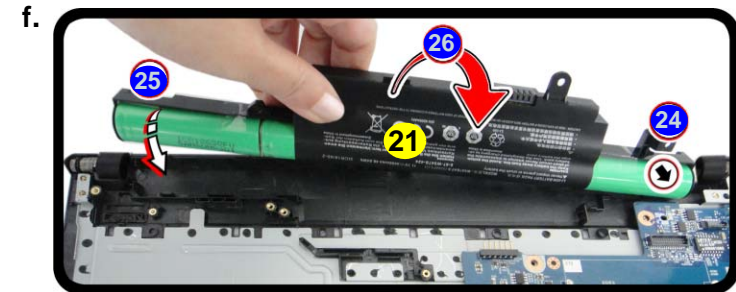
- 13 Screws

Disassembly

Figure 2 Battery Removal & Assembly (cont'd.)

- d. Remove the screws.
- e. Turn the battery in the direction of the arrow and lift the battery out.
- f. Install a new battery and turn the battery to align the connector.
- g. Tighten the screws
- h. Reattach the bottom cover and top case.
- i. Snap the sides to close and replace the screws.

5. Remove screws 19 - 20 from the battery (Figure 2d).
6. Turn the battery 21 in the direction of the arrow 22 and lift it out 23 (Figure 2e).
7. Insert a new battery 21 at point 24 in the direction of the arrow 25. Turn the battery 26 to align the connectors.
8. Tighten screws 27 - 28 (Figure 2g).
9. Reattach the bottom cover with the top case at point 29 in the direction of the arrow 30 (Figure 2h).
10. Snap together the sides 31 - 33 of the bottom cover and top case (Figure 2i) and replace the corresponding screws.



21. Battery

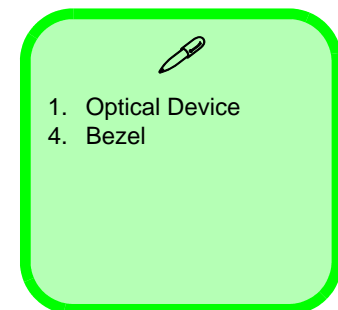
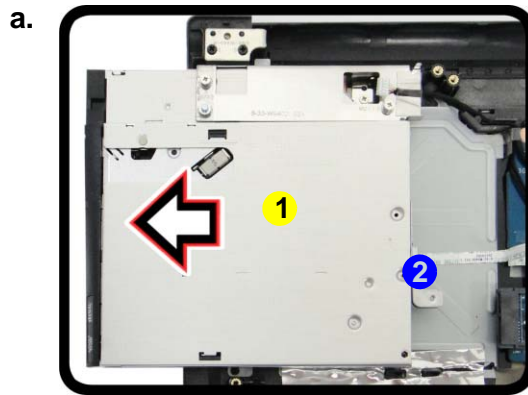
- 2 Screws

Removing the Optical (CD/DVD) Device

1. Turn off the computer, turn it over to remove the battery ([page 2 - 5](#)).
2. Carefully pull out the optical device **1** out of the bay at point **2** ([Figure 3a](#)).
3. Carefully pry the bezel **4** off the optical device at point **3** ([Figure 3b](#)).
4. Separate the bezel **4** and the optical device ([Figure 3c](#)).

Figure 3
Optical Device Removal

- a. Pull out the optical device.
- b. Pry the bezel off the optical device.
- c. Separate the bezel and optical device



Disassembly

Figure 4 Optical Device Assembly

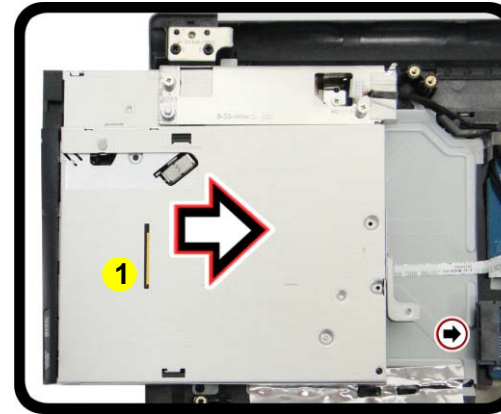
- d. Install the front bezel.
- e. Insert the optical device.
- f. Tighten the screw.

5. Reverse the process to attach the front bezel **4** with the new optical device at point **5** (*Figure 4e*).
6. Insert the new optical device **1** and carefully slide it into the computer (the device only fits one way. DO NOT FORCE IT; The screw holes should line up).
7. Replace the bottom cover and tighten the screw **6** (*Figure 4g*).
8. Restart the computer to allow it to automatically detect the new device.

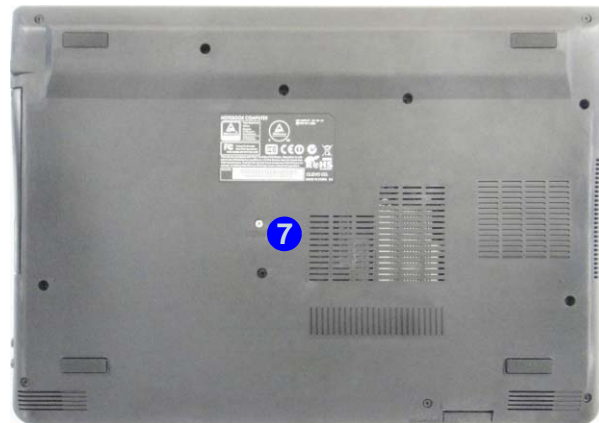
d.



e.



f.



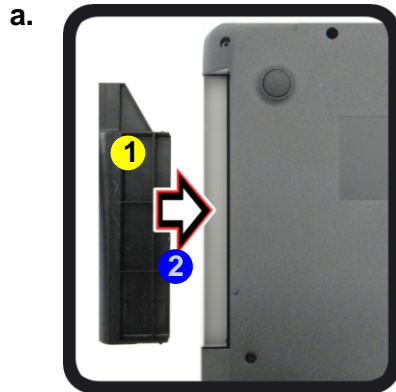
1. Optical Device
4. Bezel

- 1 Screw

Installing and Removing the Dummy ODD Bezel

Installing the Dummy ODD Bezel

1. Insert the dummy ODD bezel **1** to lock it into the bay in the direction of the arrow **2** (*Figure 5a*).



Removing the Dummy ODD Bezel

1. Turn **off** the computer, turn it over to remove the battery (*page 2 - 5*).
2. Slide the dummy ODD bezel **1** out in the direction of the arrow **2** (*Figure 6a*).
3. Reattach the bottom cover with the top case and replace the corresponding screws.

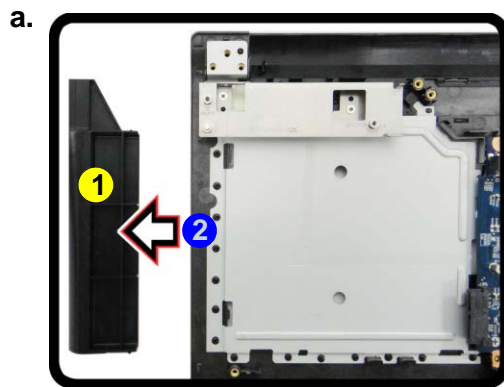
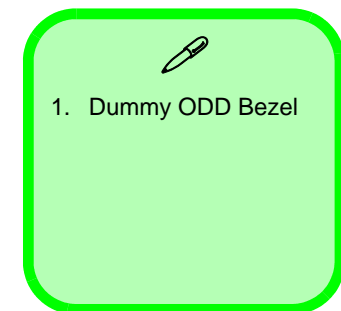


Figure 5
Dummy ODD Bezel Installation

- a. Insert the dummy ODD bezel into the ODD bay.

Figure 6
Dummy ODD Bezel Removal

- a. Remove the dummy ODD bezel from the ODD bay.
- b. Replace the bottom cover and screws.



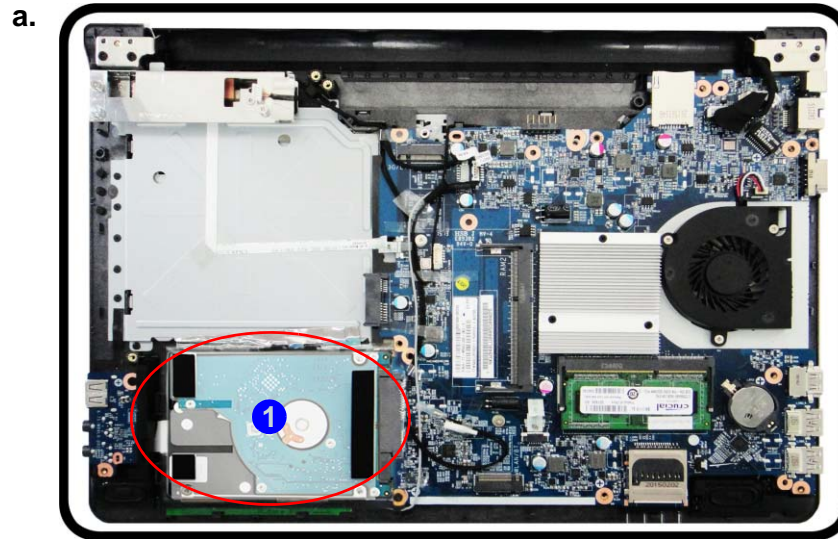
Removing the Hard Disk Drive

Figure 7
**HDD Assembly
Removal**

The hard disk drive can be taken out to accommodate other 2.5" serial (SATA) hard disk drives with a height of 7.0mm (h). Follow your operating system's installation instructions, and install all necessary drivers and utilities (as outlined in **Chapter 4 of the User's Manual**) when setting up a new hard disk.

a. Locate the HDD assembly. **Hard Disk Upgrade Process**

1. Turn **off** the computer, turn it over to remove the battery ([page 2 - 5](#)).
2. The hard disk drive will be visible at point **1** ([Figure 7a](#)).



HDD System Warning

New HDD's are blank. Before you begin make sure:

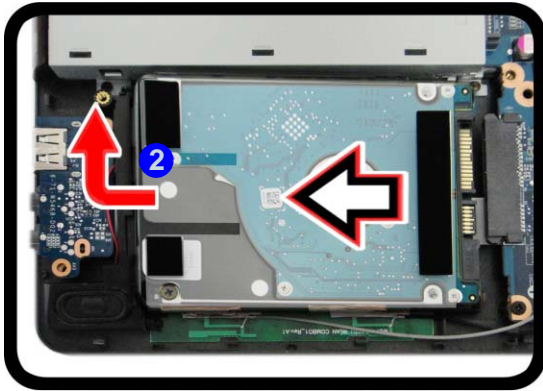
You have backed up any data you want to keep from your old HDD.

You have all the CD-ROMs and FDDs required to install your operating system and programs.

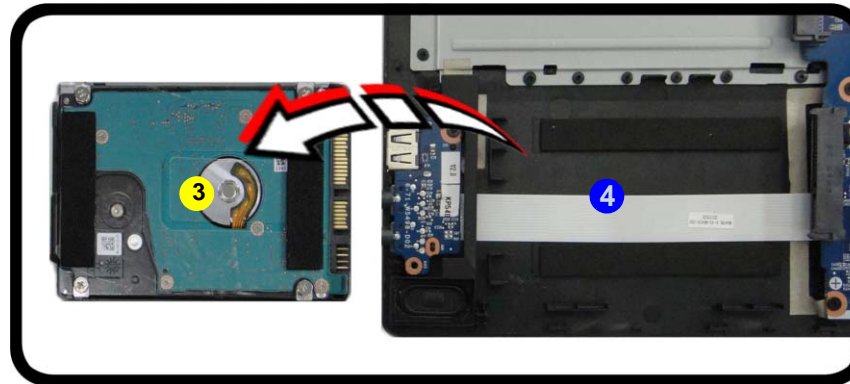
If you have access to the internet, download the latest application and hardware driver updates for the operating system you plan to install. Copy these to a removable medium.

3. Slightly lift and pull the hard disk assembly in the direction of arrow ② (Figure 8b).
4. Lift the hard disk assembly ③ out of the bay ④ (Figure 8c).
5. Remove the screws ⑤ - ⑥ and the adhesive cover ⑦ from the hard disk ⑧ (Figure 8d).
6. Reverse the process to install a new hard disk (do not forget to replace all the screws and bottom cover).

b.



c.



d.

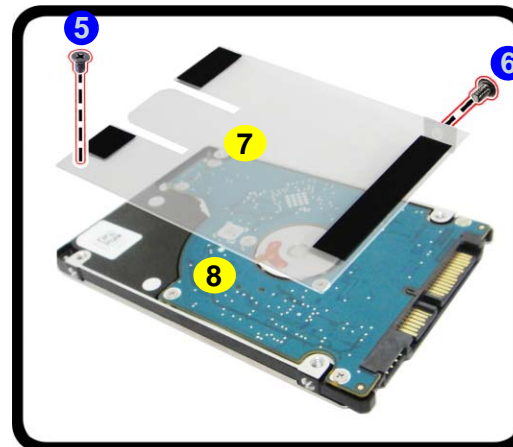
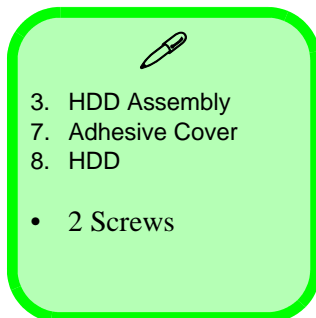


Figure 8
HDD Assembly
Removal (cont'd.)

- b. Slightly lift and pull the HDD assembly in the direction of the arrow.
- c. Lift the HDD assembly out of the bay.
- d. Remove the screws and adhesive cover.



Disassembly

Figure 9
RAM Module Removal

- The RAM modules will be visible at point **1** on the mainboard.
- Pull the release latches.
- Remove the module.

Removing the System Memory (RAM)

The computer has two memory sockets for 204 pin Small Outline Dual In-line Memory Modules (SO-DIMM) supporting single or dual channel DDR3L depending on the CPU. The main memory can be expanded up to 8GB. The SO-DIMM modules supported are 1024MB and 2048MB **DDR3L** Modules. The total memory size is automatically detected by the POST routine once you turn on your computer.

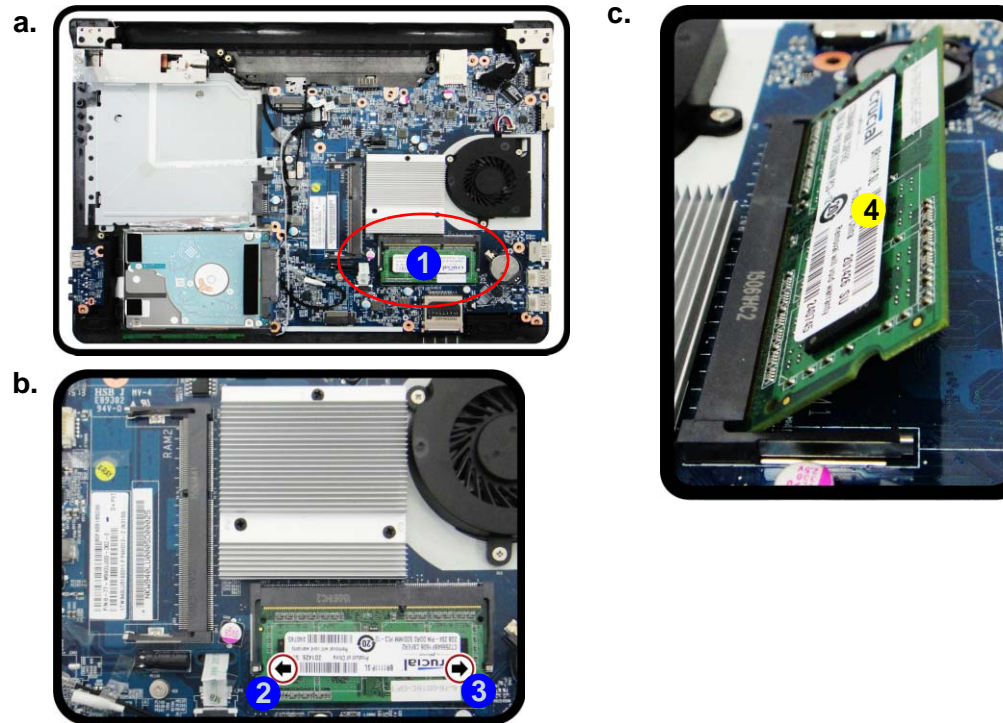
Memory Upgrade Process

- Turn **off** the computer, turn it over to remove the battery ([page 2 - 5](#)).
- The RAM modules will be visible at point **1** on the mainboard ([Figure 9b](#)).
- Gently pull the two release latches (**2** & **3**) on the sides of the memory socket in the direction indicated by the arrows ([Figure 9b](#)). The RAM module **4** will pop-up ([Figure 9c](#)), and you can then remove it.

Contact Warning

Be careful not to touch the metal pins on the module's connecting edge. Even the cleanest hands have oils which can attract particles, and degrade the module's performance.

4. RAM Module



Single Memory Module Installation

If your computer has a single memory module, then insert the module into the **Channel 0 (JDIMM1 / RAM1)** socket. In this case this is the **horizontal** memory socket.

4. Pull the latches to release the second module if necessary.
5. Insert a new module holding it at about a 30° angle and fit the connectors firmly into the memory slot.
6. The module will only fit one way as defined by its pin alignment. Make sure the module is seated as far into the slot as it will go. DO NOT FORCE IT; it should fit without much pressure.
7. Press the module in and down towards the mainboard until the slot levers click into place to secure the module.
8. Replace the bottom case and the screws (see [page 2 - 5](#)).
9. Restart the computer to allow the BIOS to register the new memory configuration as it starts up.

Disassembly

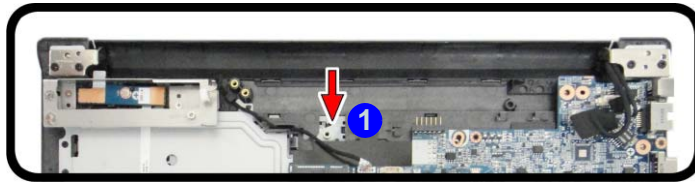
Figure 10
Keyboard Removal

- Release the keyboard by pressing at point ①.
- Disconnect the keyboard ribbon cable from the locking collar socket.
- Remove the keyboard.

Removing the Keyboard

- Turn **off** the computer, turn it over to remove the battery ([page 2 - 5](#)).
- Press at point ① to release the keyboard ([Figure 10a](#)).
- Turn the computer over, remove the keyboard ② ([Figure 10b](#)).
- Carefully lift the keyboard up, being careful not to bend the keyboard ribbon cable ③. Disconnect the keyboard ribbon cable from the locking collar socket ④ ([Figure 10b](#)).
- Carefully lift up the keyboard ② off the computer ([Figure 10c](#)).
- Reverse the process to install the keyboard (be careful not to bend the keyboard ribbon cable).

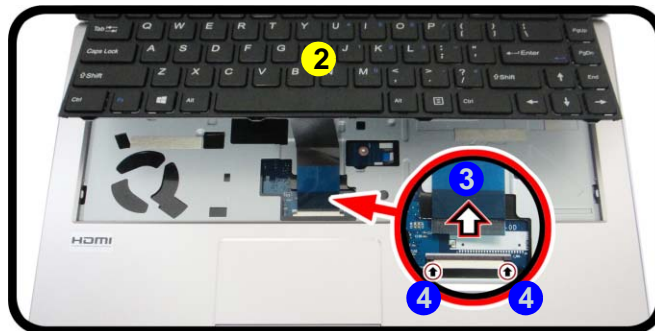
a.



c.



b.



2. Keyboard

Removing the Wireless LAN Module

1. Turn **off** the computer, turn it over to remove the battery ([page 2 - 5](#)).
2. The Wireless LAN module will be visible at point **1** on the mainboard ([Figure 11a](#)).
3. Carefully disconnect the cables **2** & **3**, and then remove the screw **4** ([Figure 11b](#)).
4. The Wireless LAN module **5** ([Figure 11c](#)) will pop-up, and you can remove it from the computer.

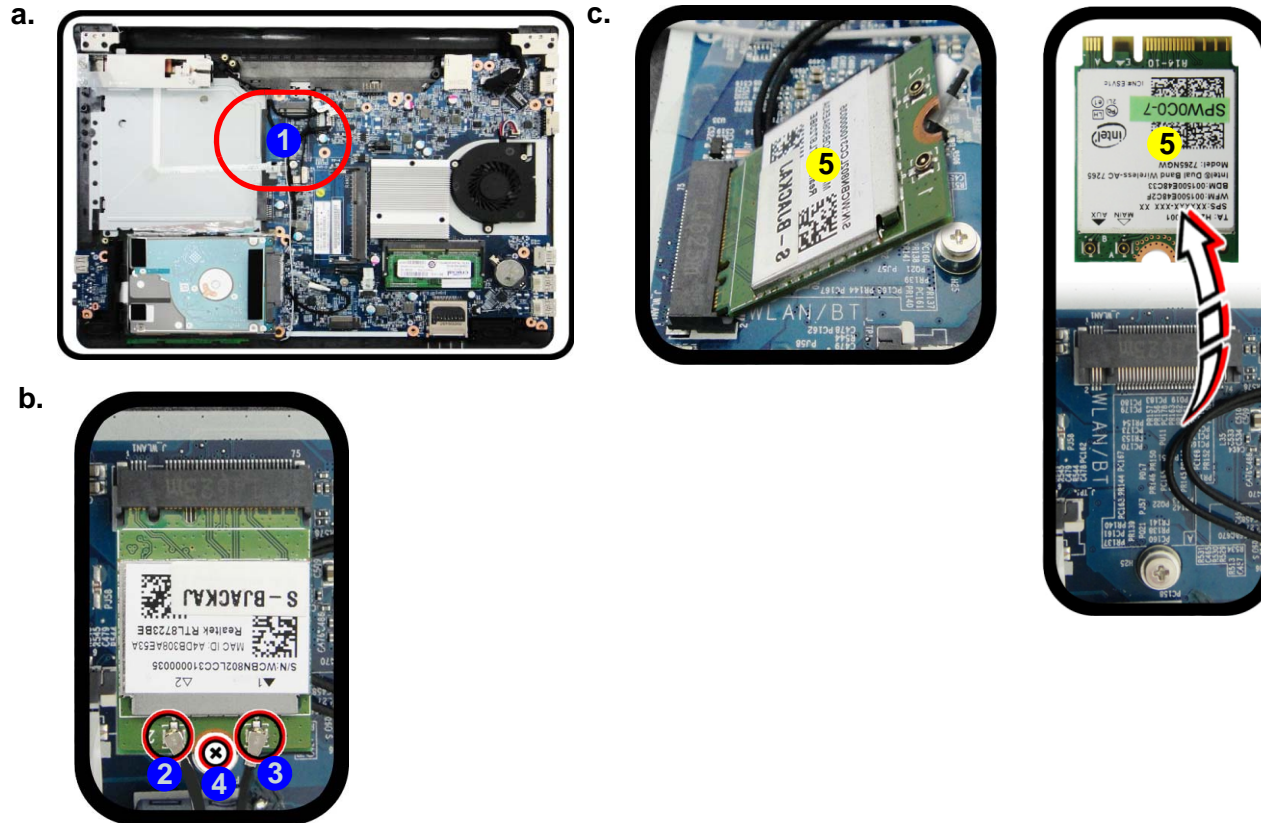



Figure 11
**Wireless LAN
Module Removal**

- Locate the WLAN.
- Disconnect the cable and remove the screw.
- The WLAN module will pop up and lift it out of the computer.

Note: Make sure you reconnect the antenna cable to the “1 + 2” socket ([Figure 11b](#)).



5. Wireless LAN Module

- 1 Screw

Wireless LAN, and Combo Module Cables

Note that the cables for connecting to the antennae on WLAN, and WLAN & Bluetooth Combo modules are not labelled. The cables/covers (each cable will have either a black or transparent cable cover) are color coded for identification as outlined in the table below.

Module Type	Antenna Type	Cable Color	Cable Cover Type
WLAN/WLAN & Bluetooth Combo	WM 1	Black	Transparent
	WM 2	Gray	
	WM 3	White	

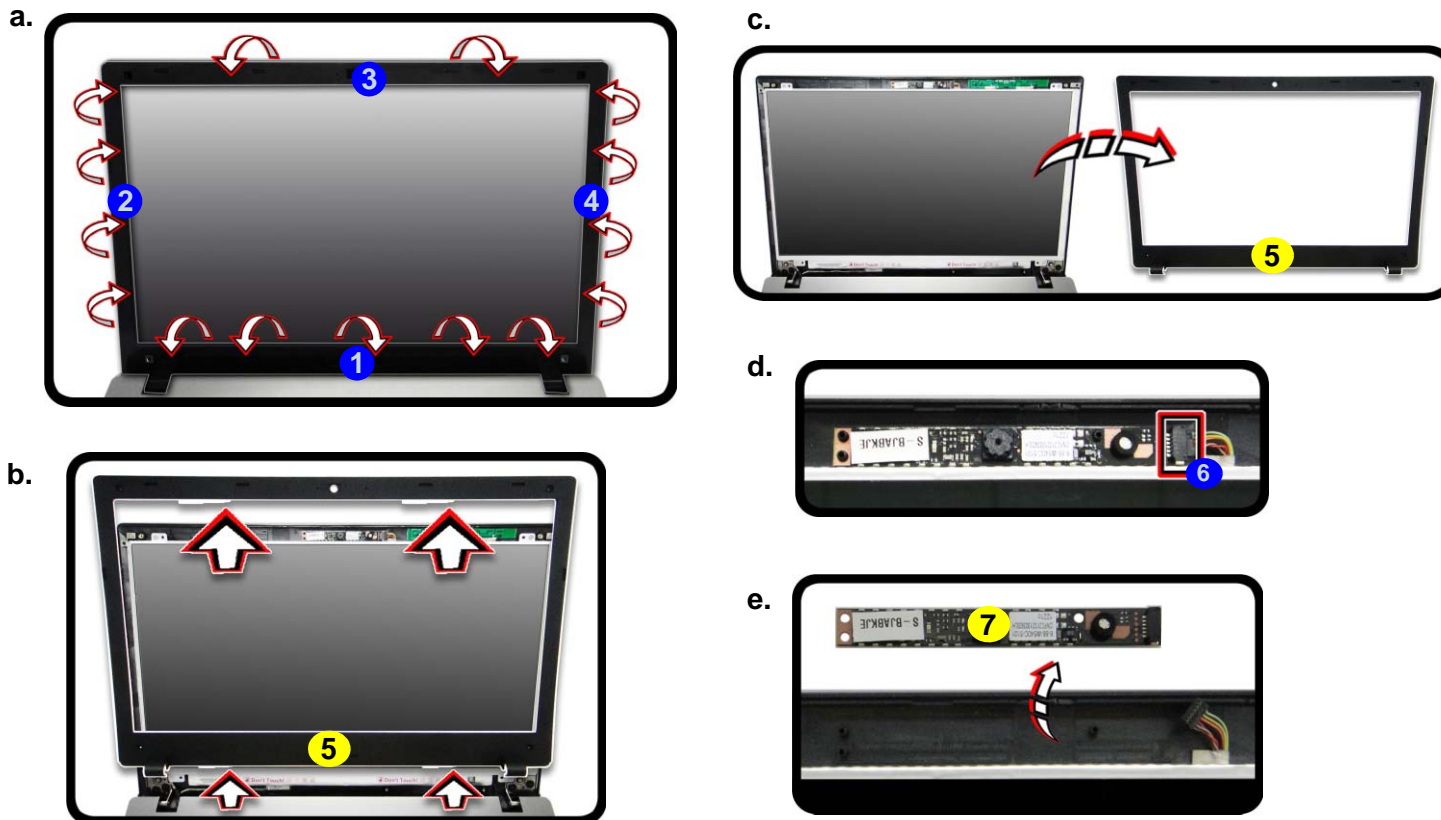
Cable 1 is usually connected to antenna 1 (Main) on the module, and cable 2 to antenna 2 (Aux).

Removing the CCD

1. Turn **off** the computer, turn it over to remove the battery ([page 2 - 5](#)).
2. Run your fingers around the inner frame of the LCD panel at the points as indicated by the arrows **1** - **4**.
3. Lay the computer down on a flat surface with the top case up forming a 90 degree angle. Push the LCD front cover **5** upwards before carefully lifting it up.
4. Remove the LCD front cover **5** ([Figure 12c](#)).
5. Disconnect the cable **6**.
6. Remove the CCD module **7** ([Figure 12e](#)).
7. Reverse the process to install a new CCD module.

Figure 12
CCD Removal

- a. Run your fingers around the inner frame of the LCD panel at the points indicated by the arrows.
- b. Lay the computer down on a flat surface with the top case up forming a 90 degree angle. Push the LCD front panel upwards before carefully lifting it up.
- c. Remove the LCD front cover.
- d. Disconnect the cable.
- e. Remove the CCD module.



Appendix A:Part Lists

This appendix breaks down the *W940LU / W945LUQ* series notebook's construction into a series of illustrations. The component part numbers are indicated in the tables opposite the drawings.

Note: This section indicates the *manufacturer's* part numbers. Your organization may use a different system, so be sure to cross-check any relevant documentation.

Note: Some assemblies may have parts in common (especially screws). However, the part lists DO NOT indicate the total number of duplicated parts used.

Note: Be sure to check any update notices. The parts shown in these illustrations are appropriate for the system at the time of publication. Over the product life, some parts may be improved or re-configured, resulting in *new* part numbers.

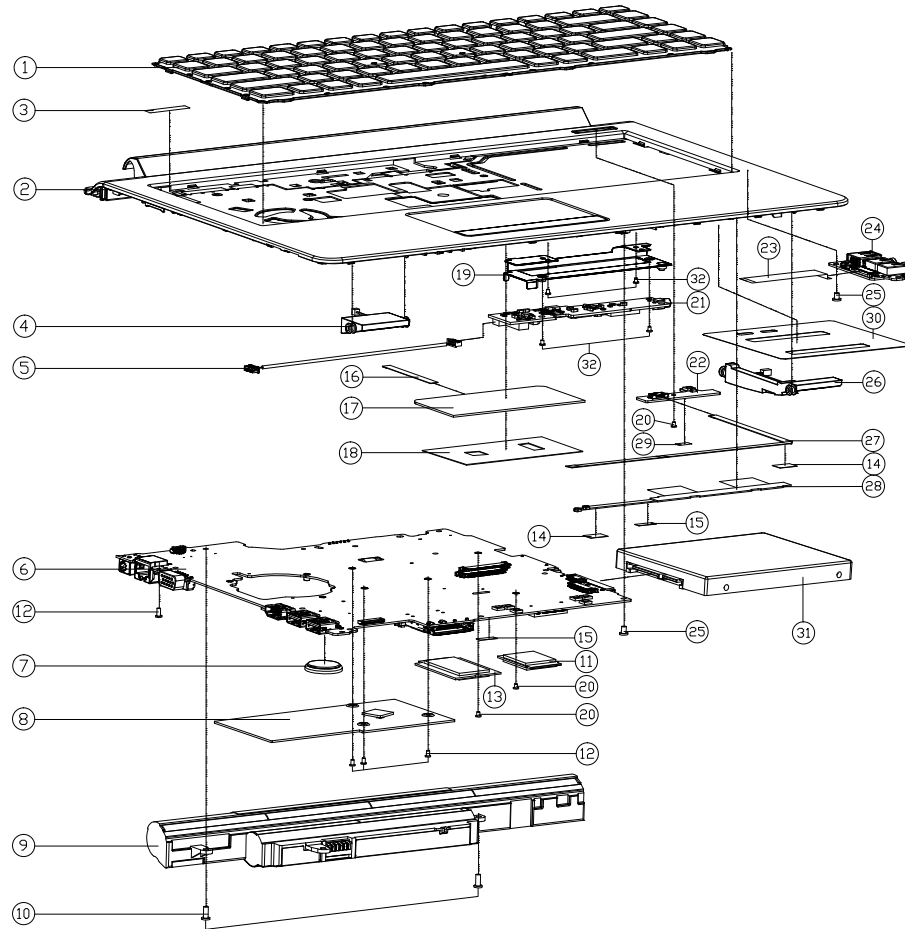
Part List Illustration Location

The following table indicates where to find the appropriate part list illustration.

Table A - 1
Part List Illustration
Location

Part	W940LU	W945LUQ
Top (4W) Stand	<i>page A - 3</i>	
Top (4W) Positivo	<i>page A - 4</i>	
Top (6W) Stand	<i>page A - 5</i>	
Top (6W) Positivo	<i>page A - 6</i>	
Top (4W)		<i>page A - 7</i>
Top (6W)		<i>page A - 8</i>
Bottom - ODD	<i>page A - 9</i>	
Bottom - Dummy	<i>page A - 10</i>	
Bottom		<i>page A - 11</i>
LCD	<i>page A - 12</i>	<i>page A - 13</i>
DVD Dual Drive	<i>page A - 14</i>	<i>page A - 15</i>
HDD		<i>page A - 16</i>

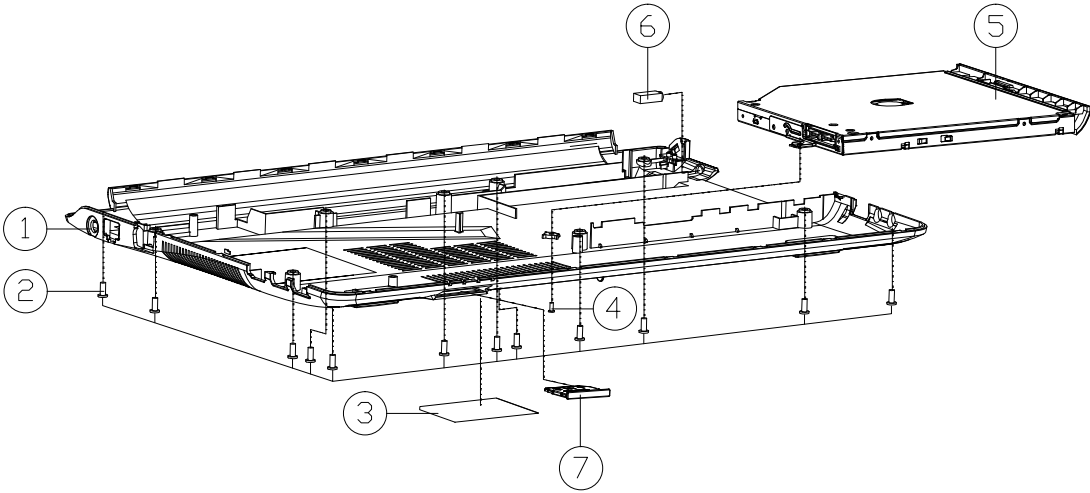
Top (4W) Stand (W940LU)



ITEM	PART NAME	PART NO	REMARK
1	TOP PANEL W/2009-4022 19010 BLACK COILATION WITH VIBRO FOR PROTECT	6-80-W9400-331-1P	
2	TOP CASE MODULE (POSTITVD) W940TU	6-39-W9402-012-P	
3	MYLAR MAGNET 35*5*0.3MM FOR W740SU	6-40-W7402-080	
4	SPK+CABLE L (27) 10W 87 W940TU (CVITECH)	6-23-5W940-0L1	
5	WIRE CABLE FOR TV TUNER L2009 6PIN TO 6PIN W/3 LAMDED HL W940TU	6-43-W940T-031	FOR TV TUNER
6	MAIN BOARD W/2009-4022 19010 W/4022 220V W940LU	6-77-W940LU00-DOE-3C	
7	BATTERY 3V 220MA BB08R2032B (KTS)	6-23-6A2B2-030	
8	CPU HEATSINK MODULE W945TUQ	6-33-W945N-T00	
9	W/T S U/I BOARD W/2009-4022 19010 W/4022 220V W940LU	6-87-W940S-42F2	
9	W/T S U/I BOARD W/2009-4022 19010 W/4022 220V W940LU	6-87-W94LS-4UF-1	
9	W/T S U/I BOARD W/2009-4022 19010 W/4022 220V W940LU	6-87-W94LS-4UF	
9	W/T S U/I BOARD W/2009-4022 19010 W/4022 220V W940LU	6-87-W940S-4244	
9	W/T S U/I BOARD W/2009-4022 19010 W/4022 220V W940LU	6-87-W94LS-4UF1-1	
9	W/T S U/I BOARD W/2009-4022 19010 W/4022 220V W940LU	6-87-W94LS-4UF1	
10	SCREW M2.5*6L K BZ ICT NY	6-35-82125-6RA	
11	W/0 HDD COVER & BRACKET W/2009-4022 19010 W/4022 220V W940LU	6-88-S210F-9400	
11	W/0 HDD COVER W/2009-4022 19010 W/4022 220V W940LU	6-88-N240F-4200	
11	W/0 HDD COVER W/2009-4022 19010 W/4022 220V W940LU	6-88-N170F-5100	
11	W/0 HDD COVER W/2009-4022 19010 W/4022 220V W940LU	6-88-W95LF-4240	
12	SCREW M2*4L KI BZ ICT NY	6-35-B6120-4RA	
13	W/0 BRACKET W/2009-4022 19010 W/4022 220V W940LU	6-88-S210W-8810	
13	TE & R P/0 BRACKET W/2009-4022 19010 W/4022 220V W940LU	6-88-W3306-8830	
13	TE & R P/0 BRACKET W/2009-4022 19010 W/4022 220V W940LU	6-88-W3306-8841	
14	TAPE MYLAR TRANSPARENT (204*140*0.05) P180HM	6-40-P1803-020	
15	TAPE MYLAR TRANSPARENT (305*54*0.05) W25HPD	6-40-W25P3-010	
16	FFC CABLE FOR TOUCH PAD 7099 60V 6PIN (C015) W940TU	6-43-W9402-011-1	
17	TOUCH PAD SYNAPTICS TM-01146-003 MULTI-GEOS	6-49-C4802-010	
18	MYLAR FOR TOUCHPAD (TRANSPARENT MYLAR)TESA4963 W940TU	6-40-W3402-020	
19	TV TUNER BRACKET (SUS304) W940TU	6-33-W9402-022	
20	SCREW M2*3L K1 NI ICT NY (DD=94.5,DT=0.4)	6-35-B1120-3RE	
21	DIGITAL TV TUNER AVERMEDIA S/W A857 W940TU	6-88-W9407-4600	FOR W/TV TUNER
22	POWER SWITCH BOARD V2.0 W940LU	6-77-W94LS-DO2	
23	FFC CABLE FOR AUDIO BOARD TO W/3 1209 60V 14P (C5) W940LU	6-43-W5470-021-2	
24	AUDIO BOARD V2.0 W940LU	6-77-W94L8-DO2	
25	SCREW M2.5*4L K1KT=0.5 D=4.5) BK/2 ICT	6-35-B6125-4R0	
26	SPK+CABLE R (50) 10W 87 W940TU (CVITECH)	6-23-5W940-0R1	
27	FFC CABLE FOR POWER BOARD TO W/3 1209 60V 4P (C015) W940TU	6-43-W9400-011-1	
28	W/0 HDD BRACKET W/2009-4022 19010 W/4022 220V W940LU	6-23-7W950-030	
29	TOP CASE MYLAR TESA 4963 (C0894025) W940TU	6-40-W9402-020	
30	ALUMINUM FIDIL (85*77*0.13) W940AU	6-47-W94A2-010	ONLY FOR LTE-2
31	W/0 HDD ASS'Y W940TU	6-79-W940TU0J-010	
31	W/0 HDD ASS'Y W940TU	6-79-W940TU0J-020	
32	SCREW M2*3L K1 BZ ICT NY (DD=94.5,DT=0.4)	6-35-B6120-3RD	

Figure A - 1
Top (4W) Stand
(W940LU)

Bottom - ODD (W940LU)

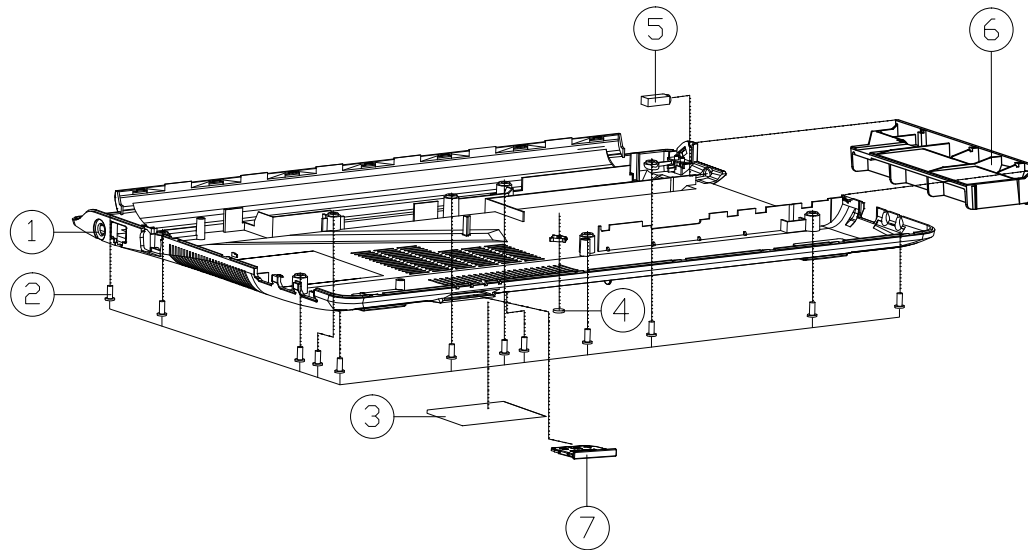


ITEM	PART NAME	PART NO	REMARK
1	BOTTOM CASE MODULE W940KU	6-39-W94K3-011	
1	BOTTOM CASE MODULE FOR W940TU-C	6-39-W9403-012-C	
1	BOTTOM CASE MODULE FOR W940TU	6-39-W9403-012	
1	BOTTOM CASE MODULE W940SU1	6-39-W9S13-010	
1	BOTTOM CASE MODULE W940SU1-C	6-39-W9S13-010-C	
1	BOTTOM CASE MODULE FOR W940LU	6-39-W94L3-010	
1	BOTTOM CASE MODULE FOR W940LU-C	6-39-W94L3-010-C	
2	SCREW M2.5*6L K BZ ICT NY	6-35-82125-6RA	
3	PRODUCT LABEL FOR W940SU1	6-45-W940SU13-010	
3	PRODUCT LABEL FOR W940KV	6-45-W940KV03-010	
3	PRODUCT LABEL FOR W940TU	6-45-W940TU03-010	
3	PRODUCT LABEL FOR W940SU2	6-45-W940SU23-010	
3	PRODUCT LABEL FOR W941KU-T	6-45-W941KU3-010	
3	PRODUCT LABEL FOR W941KW-T	6-45-W941KW3-010	
3	PRODUCT LABEL FOR W941SU-T	6-45-W941SU3-010-T	
3	PRODUCT LABEL FOR W941SU2-T	6-45-W941SU23-010-T	
3	PRODUCT LABEL FOR W941TU-T	6-45-W941TU3-010	
3	PRODUCT LABEL FOR W940TU-L	6-45-W940TU3-010	
3	PRODUCT LABEL FOR W940KU-L	6-45-W940KU3-010	
3	PRODUCT LABEL FOR W940AU	6-45-W940AU03-010	
3	PRODUCT LABEL FOR W941AU-T	6-45-W941AU3-010	
3	PRODUCT LABEL FOR W940LU	6-45-W940LU03-010	
4	SCREW M2*4L KI BZ ICT NY	6-35-B6120-4RA	
5	SATA DVD SUPER MULTI ASSY (OPTION)	6-79-W940TU00-000	(OPTION)
5	SATA BLU-RAY COMBO ASSY (OPTION)	6-79-W940SU1V-000	(OPTION)
5	SATA DVD SUPER MULTI ASSY (OPTION)	6-79-W942SV00-010	(OPTION)
5	SATA DVD SUPER MULTI ASSY (OPTION)	6-79-W940AU00-010	(OPTION)
5	W/O ODD ASS'Y W940TU	6-79-W940TU02-000	(OPTION)
6	TV RUBBER GILSON WIPERS 66 BLADO FOR W940U	6-47-W9403-041	FOR W/O TV TUNER
7	DUMMY 300 NIN FOR THE PC-HAS C23P-7000 W940U	6-42-W970B-030	

Figure A - 7
Bottom - ODD
(W940LU)

Bottom - Dummy (W940LU)

Figure A - 8
Bottom - Dummy
(W940LU)



ITEM	PART NAME	PART NO	REMARK
1	BOTTOM CASE MODULE W940KU	6-39-W94K3-011	
1	BOTTOM CASE MODULE FOR W940TU-C	6-39-W9403-012-C	
1	BOTTOM CASE MODULE FOR W940TU	6-39-W9403-012	
1	BOTTOM CASE MODULE W940SU1	6-39-W9S13-010	
1	BOTTOM CASE MODULE W940SU1-C	6-39-W9S13-010-C	
1	BOTTOM CASE MODULE FOR W940LU	6-39-W94L3-010	
1	BOTTOM CASE MODULE FOR W940LU-C	6-39-W94L3-010-C	
2	SCREW M2.5X6L K BZ ICT NY	6-35-B2125-6RA	
3	PRODUCT LABEL FOR W940SU1	6-45-W940SU3-010	
3	PRODUCT LABEL FOR W940KU	6-45-W940KU03-010	
3	PRODUCT LABEL FOR W940KW	6-45-W940KW03-010	
3	PRODUCT LABEL FOR W940TU	6-45-W940TU03-010	
3	PRODUCT LABEL FOR W940SU2	6-45-W940SU03-010	
3	PRODUCT LABEL FOR W941KU-T	6-45-W941KU3-010	
3	PRODUCT LABEL FOR W941KW-T	6-45-W941KW3-010	
3	PRODUCT LABEL FOR W941SU1-T	6-45-W941SU03-010-T	
3	PRODUCT LABEL FOR W941SU2-T	6-45-W941SU03-010-T	
3	PRODUCT LABEL FOR W941TU-T	6-45-W941TU3-010	
3	PRODUCT LABEL FOR W940LU-L	6-45-W940LU3-010	
3	PRODUCT LABEL FOR W940KU-L	6-45-W940KU3-010	
3	PRODUCT LABEL FOR W940AU	6-45-W940AU03-010	
3	PRODUCT LABEL FOR W941AU-T	6-45-W941AU3-010	
3	PRODUCT LABEL FOR W940LU	6-45-W940LU03-010	
4	ODD RUBBER GILDON HARDNESS 66 BLACK W940TU	6-47-W940Z-010	
5	TV RUBBER GILDON HARDNESS 66 BLACK FOR W940TU	6-47-W940Z-041	
6	ODD DUMMY THE DOWPE HAS THE 7550X W940TU	6-42-W940Z-041	
7	DUMMY 30X 30X 100 THE PE-ABS 0220P-RED W940LU	6-42-W970B-030	

Bottom (W945LUQ)

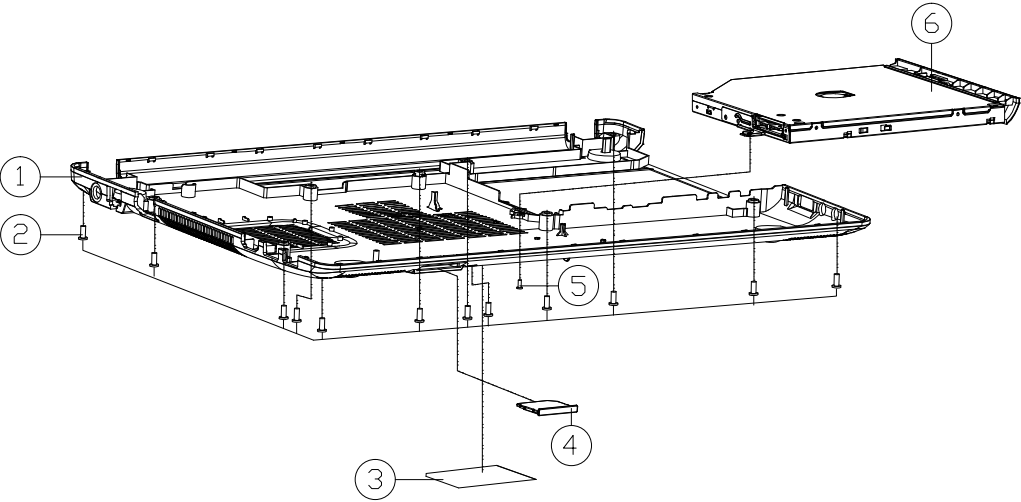
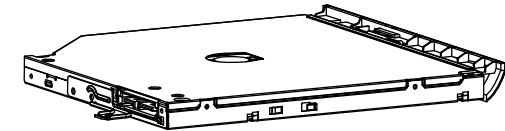
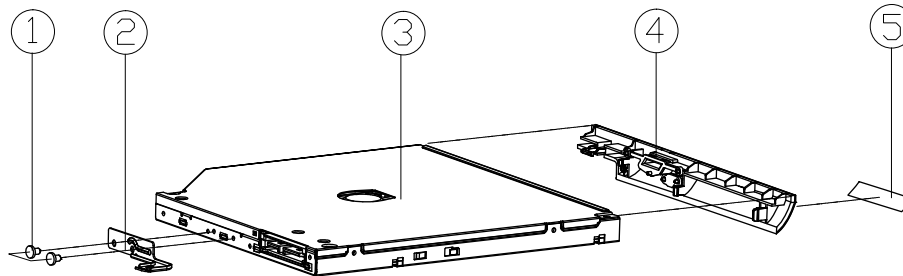


Figure A - 9
Bottom
(W945LUQ)

ITEM	PART NAME	PART NO	REMARK
1	BOTTOM CASE MODULE W945KUQ	6-39-W9453-011	
1	BOTTOM CASE MODULE W945KUQ-C	6-39-W9453-011-C	
1	BOTTOM CASE MODULE W945TUQ	6-39-W9453-T11	
2	SCREW M2.5x6L K BZ ICT NY	6-35-82125-6RA	
3	PRODUCT LABEL FOR W945KUQ	6-45-W945KUQ3-010	
3	PRODUCT LABEL FOR W945TUQ	6-45-W945TUQ3-010	
3	PRODUCT LABEL FOR W945SUW	6-45-W945SUW3-010	
3	PRODUCT LABEL FOR W945SUY	6-45-W945SUY3-010	
3	PRODUCT LABEL FOR W945SAUQ	6-45-W945SAUQ3-010	
3	PRODUCT LABEL FOR W945SLUQ	6-45-W945SLUQ3-010	
4	DUMMY SCREW NON PUSH TYPE PE-ABS (7222P-7110) W9700W	6-42-W9708-030	
5	SCREW M2x4L KI BZ ICT NY	6-35-B6120-4RA	
6	SATA DVD SUPER MULTI ASS'Y (OPTION)	6-79-W945AUQ0-001	(OPTION)
6	SATA DVD SUPER MULTI ASS'Y (OPTION)	6-79-W945KUQ0-000	(OPTION)
6	SATA BLU-RAY COMBO ASS'Y (OPTION)	6-79-W945SUWV-010	(OPTION)
6	SATA BLU-RAY COMBO ASS'Y (OPTION)	6-79-W945SUYV-010	(OPTION)
6	W/O ODD ASS'Y W945KUQ	6-79-W945KUQZ-000	(OPTION)

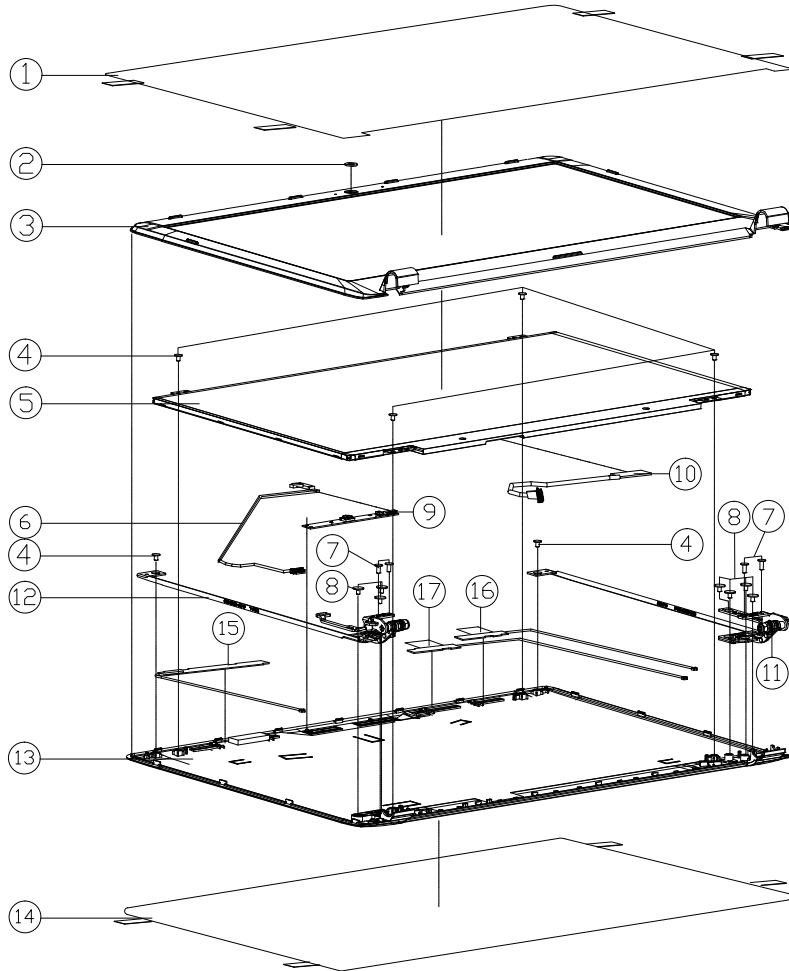
LCD (W940LU)

Figure A - 10
LCD (W940LU)



ITEM	PART NAME	PART NO	REMARK
1	十字槽自攻螺钉 M2x3L K1 NI ICT GTY-PATCH	6-35-B1120-3RE	
2	ODD BRACKET (SUS430 T=0.50MM) W540EU	6-33-W540Z-010	
3	SHIA PVO SUPER MULTI 5.1UP' 05.5MM 04-963000 17A-1032 04W 0R 04W 0R PLUS	6-85-A088X-L04	FDR PLDS
3	SHIA PVO SUPER MULTI 5.1UP' 05.5MM 04-963000 17A-1032 04W 0R 04W 0R TSST	6-85-A088X-T07	FDR TSST
3	SHIA PVO SUPER MULTI 5.1UP' 05.5MM 04-963000 17A-1032 04W 0R 04W 0R PANASONIC	6-85-A088X-P06	FDR PANASONIC
4	ODD BEZEL MODULE W940TU	6-42-W940Z-102	
5	SUPER MULTI ODD BEZEL LABEL (SIZE CHANGE)	6-45-W860Q-011	

LCD (W945LUQ)

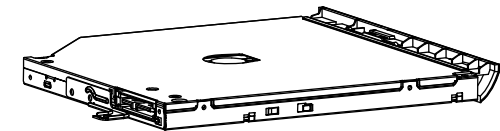
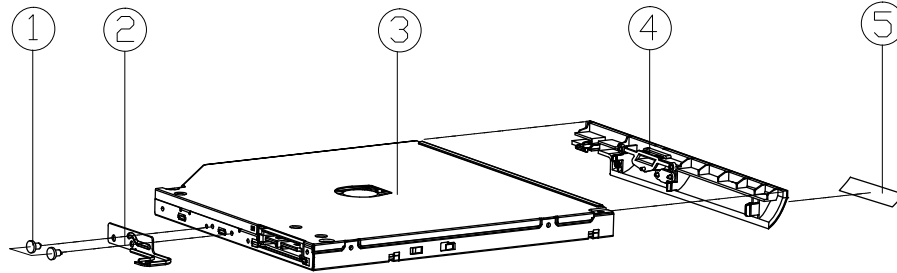


ITEM	PART NAME	PART NO	REMARK
1	LCD FRONT COVER PROTECTION MYLAR (PET-30055) (防塵膜) (C60)	6-40-C4501-011	
2	CCD LENS PMMA WA50SHQ	6-42-WA501-020	OPTION
3	LCD FRONT COVER MODULE W945KUQ	6-39-W9451-012	
4	SCREW M2*3L K1 NI ICT NY (OD=0.45,DT=0.4)	6-35-B1120-3RE	
5	LCD 14.0" HD LG (GLARE TYPE) LPH40WH8-TLAI (LED) 36MM	6-50-J8136-LOE	
5	LCD 14.0" HD EDP/GLARE TYPE BDE HB40WV1-301 (LED) 36MM	6-50-J8136-Z01	
5	LCD 14.0" HD+ CHIMEI N440GE-EA2 (LED) 30MM (EDP)	6-50-JA130-D00	
5	LCD 14.0" HD (EDP) GLARE TYPE DIMELUX N440GE-E43 (LED) 36MM	6-50-J8136-V03	
5	LCD 14.0" HD (EDP) GLARE TYPE AU B440XTN034 (LED) 36MM	6-50-J8136-G12	
6	WIRE CABLE FOR CCD 8P8 305MM 3.3V 8PIN (CNUS) W940TU	6-43-W940T-021-1	
7	SCREW M2.5*6L K BZ ICT NY	6-35-82125-6RA	
8	SCREW M2*2L K1 BK/Z ICT NY(08,T=0.6)	6-35-B6120-2RE	
9	IPC CAMERA CORDN FIB OPTIC 30K HMDI H-FM V90TU F668 VALD W940C	6-88-W977C-5100	OPTION
9	IPC CAMERA CORDN FIB OPTIC 30K HMDI H-FM V90TU F668 VALD W940C	6-88-W940C-4902	OPTION
9	IPC CAMERA CORDN FIB OPTIC 30K HMDI H-FM V90TU F668 VALD W940C	6-88-W940C-5100	OPTION
10	WIRE CABLE FOR LVDS 177MM 19V 30PIN 6L/W CON.V0340-22-HF) V940TU	6-43-W9401-011-N	
10	WIRE CABLE FOR EDP 177MM 6L/W CON.V0340-22-HF) V940TU	6-43-W9401-020-N	
11	HINGE R (SUS430+SK7) SINHER W945KUQ	6-33-W9451-0R1	
12	HINGE L (SUS430+SK7) SINHER W945KUQ	6-33-W9451-0L1	
13	LCD BACK COVER MODULE W945KUQ	6-39-W9451-022	
13	LCD BACK COVER MODULE W945KUQ-C	6-39-W9451-022-C	
14	LCD BACK COVER PROTECT MYLAR PET W945KUQ	6-40-W9451-020	
15	ANTENNA PEEM VGT VGT LTE PCB 070706/0156/0362/269Z L-50MM W940U	6-23-7W945-010	
16	ANTENNA VLAN VGT VGT PCB 246/59Z VLT-50MM W940U	6-23-7W94A-010	FDR W945AUQ
16	ANTENNA PEEM VGT VGT PCB 246/59Z VLT-50MM W940U	6-23-7W94L-011	FDR W945LUQ
17	ANTENNA VLAN VGT VLT PCB 246/59Z VLT-50MM W940U	6-23-7W94A-020	FDR W945AUQ
17	ANTENNA PEEM VGT VLT PCB 246/59Z VLT-50MM W940U	6-23-7W94L-021	FDR W945LUQ

Figure A - 11
LCD (W945LUQ)

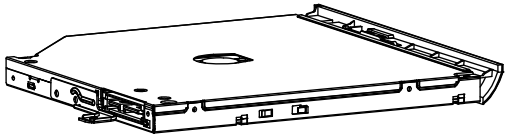
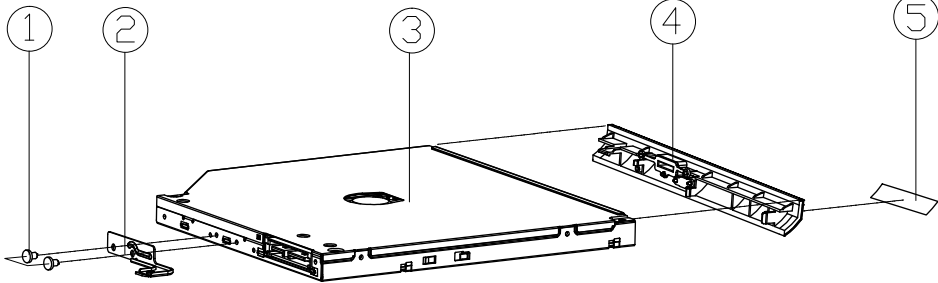
DVD DUAL (W940LU)

Figure A - 12
DVD DUAL
(W940LU)



ITEM	PART NAME	PART NO	REMARK
1	(非耐熱)SCREW M2*3L K1 NI ICT GTY-PATCH	6-35-B1120-3RE	
2	DDD BRACKET (SUS430 T=0.50MM) W540EU	6-33-W540Z-010	
3	SHIA DVD SUPER MULTI'S 14" OF 53MM IN-06030001 (7PA-100) HVA IN QUN DI PLDS	6-85-A088X-L04	FDR PLDS
3	SHIA DVD SUPER MULTI'S 14" OF 53MM IN-06030001 (7PA-100) HVA IN QUN DI TSST	6-85-A088X-T07	FDR TSST
3	SHIA DVD SUPER MULTI'S 14" OF 53MM IN-06030001 (7PA-100) HVA IN QUN DI PANASONIC	6-85-A088X-P06	FDR PANASONIC
4	DDD BEZEL MODULE W940TU	6-42-W940Z-102	
5	SUPER MULTI DDD BEZEL LABEL (SIZE CHANGE)	6-45-W860Q-011	

DVD DUAL (W945LUQ)

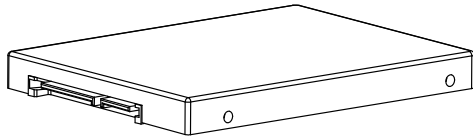
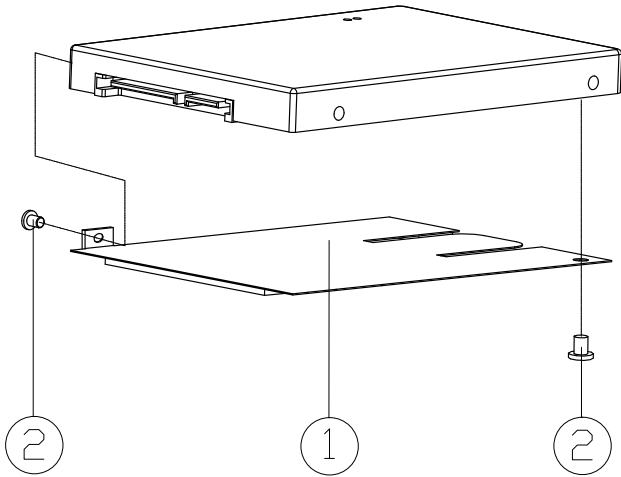


ITEM	PART NAME	PART NO	REMARK
1	〈非耐落〉SCREW M2*3L K1 NI ICT GY-PATCH	6-35-B1120-3RE	
2	ODD BRACKET (SUS430 T=0.50MM) W540EU	6-33-W540Z-010	
3	SATA DVD SUPER MULTI 5 1/4" BK 50MM DI-0863000 F/W BEZEL H/W BK VORN DI PLUS	6-85-A088X-L04	FOR PLDS
3	SATA DVD SUPER MULTI 5 1/4" BK 50MM DI-0863000 F/W BEZEL H/W BK VORN DI TSST	6-85-A088X-T07	FOR TSST
3	SATA DVD SUPER MULTI 5 1/4" BK 50MM ALICE H/W BK F/W 10000 H/W 100 VORN DI PANASONIC	6-85-A088X-P06	FOR PANASONIC
4	ODD BEZEL MODULE W945KUQ	6-42-W945Z-101	
5	SUPER MULTI ODD BEZEL LABEL (SIZE CHANGED)	6-45-W860Q-011	

Figure A - 13
DVD DUAL
(W945LUQ)

HDD (W945LUQ)

Figure A - 14
HDD (W945LUQ)



ITEM	PART NAME	PART NO	REMARK
1	HDD MYLAR (PET0.25T+CR2030) W940TU	6-40-W940J-010	
2	SCREW M3*2.5L KI NI ICT NY	6-35-B1130-2R5	

Appendix B: Schematic Diagrams

This appendix has circuit diagrams of the *W940LU / W945LUQ* notebook's PCB's. The following table indicates where to find the appropriate schematic diagram.

Diagram - Page	Diagram - Page	Diagram - Page
<i>System Block Diagram - Page B - 2</i>	<i>CRT - Page B - 15</i>	<i>VDD3, VDD5 - Page B - 28</i>
<i>Processor 1/9 - Page B - 3</i>	<i>Panel - Page B - 16</i>	<i>VDD 1.8/1.15VA - Page B - 29</i>
<i>Processor 2/9 - Page B - 4</i>	<i>HDMI - Page B - 17</i>	<i>VTT_MEM / 1.35V - Page B - 30</i>
<i>Processor 3/9 - Page B - 5</i>	<i>Audio Codec - Page B - 18</i>	<i>1.5VS/1.24VA - Page B - 31</i>
<i>Processor 4/8 - Page B - 6</i>	<i>USB Hub - Page B - 19</i>	<i>VGG - Page B - 32</i>
<i>Processor 5/8 - Page B - 7</i>	<i>LAN / Card Reader - Page B - 20</i>	<i>VCore - Page B - 33</i>
<i>Processor 6/8 - Page B - 8</i>	<i>TPM, G Sensor - Page B - 21</i>	<i>AC-In, Charger - Page B - 34</i>
<i>Processor 7/8 - Page B - 9</i>	<i>Conn, Fan, Click, CCD - Page B - 22</i>	<i>Level Shifter 1 - Page B - 35</i>
<i>Processor 8/9 - Page B - 10</i>	<i>HDD, ODD, LED, LID - Page B - 23</i>	<i>Level Shifter 2 - Page B - 36</i>
<i>Processor 9/9 - Page B - 11</i>	<i>NGFF - Page B - 24</i>	<i>Audio Board - Page B - 37</i>
<i>DDR3 SO-DIMM_A - Page B - 12</i>	<i>USB, Touch Panel, TV - Page B - 25</i>	<i>Power SW Board - Page B - 38</i>
<i>DDR3 SO-DIMM_B - Page B - 13</i>	<i>KBC ITE IT8987E - Page B - 26</i>	<i>Power Diagram - Page B - 39</i>
<i>PS8625 - Page B - 14</i>	<i>5V, 3.3V, 1.8VA - Page B - 27</i>	<i>Power Sequence - Page B - 40</i>

Table B - 1
**SCHEMATIC
DIAGRAMS**

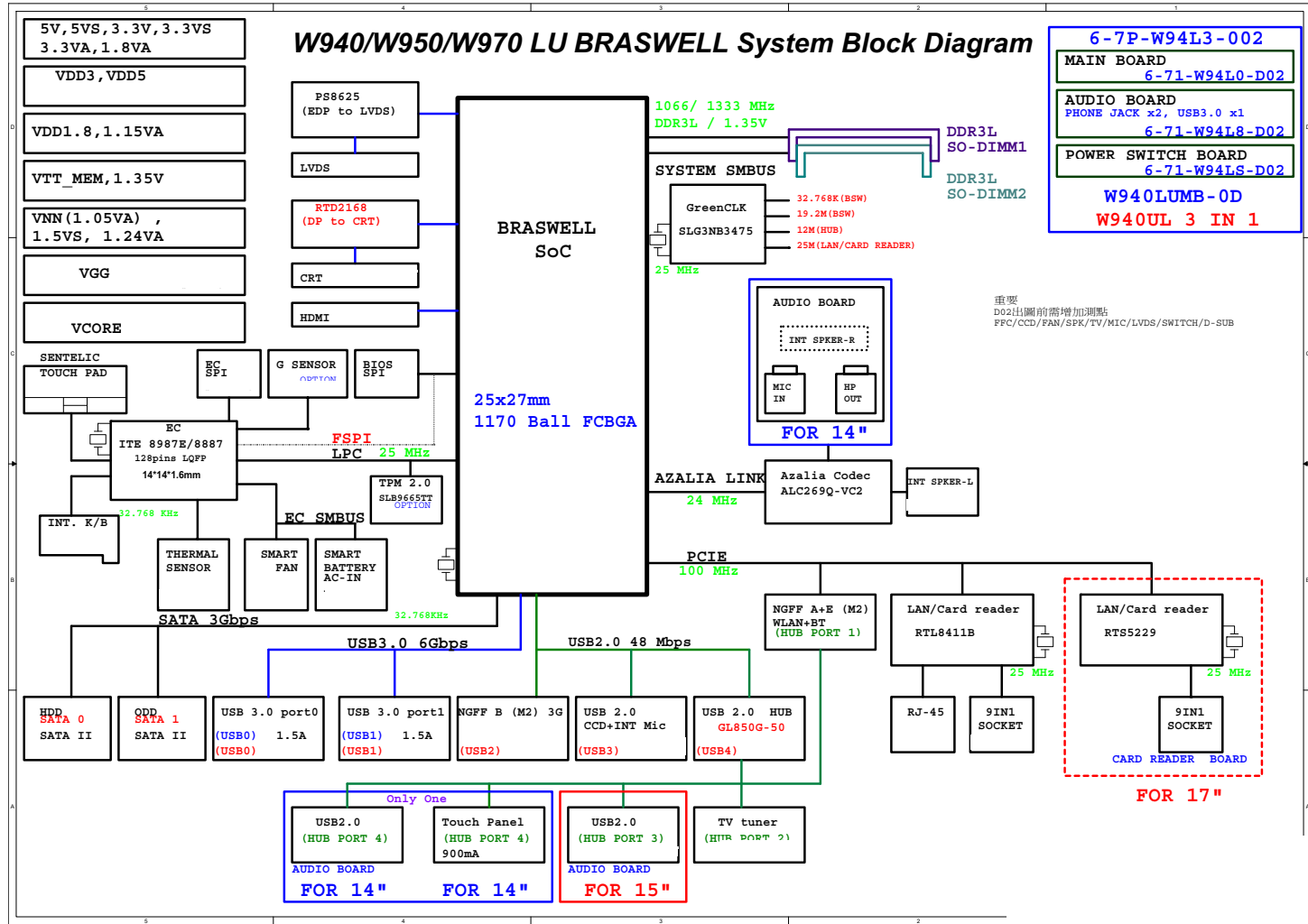


Version Note

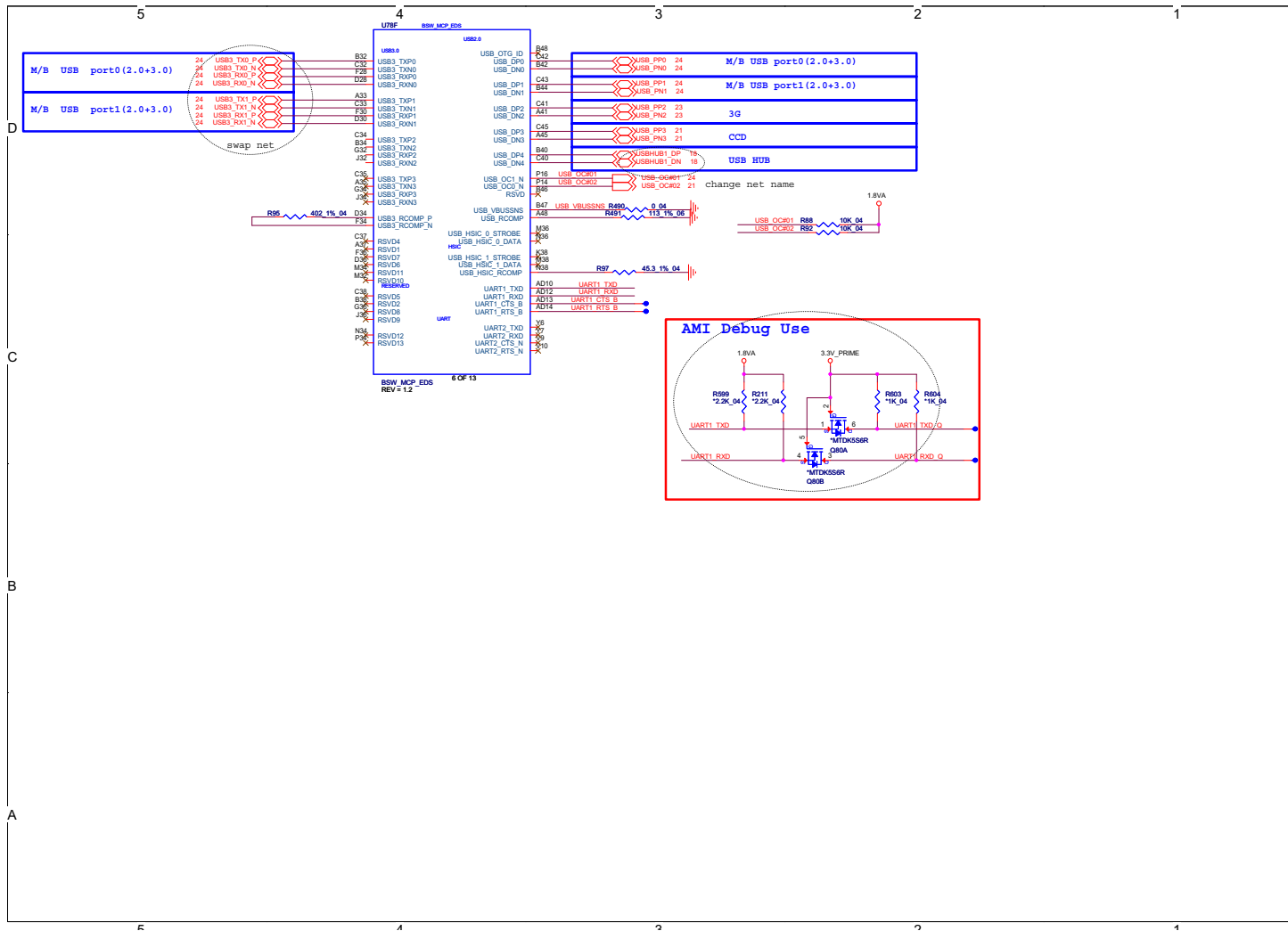
The schematic diagrams in this chapter are based upon version 6-7P-W94L3-002. If your mainboard (or other boards) are a later version, please check with the Service Center for updated diagrams (if required).

System Block Diagram

Sheet 1 of 39
System Block
Diagram



Processor 5/8

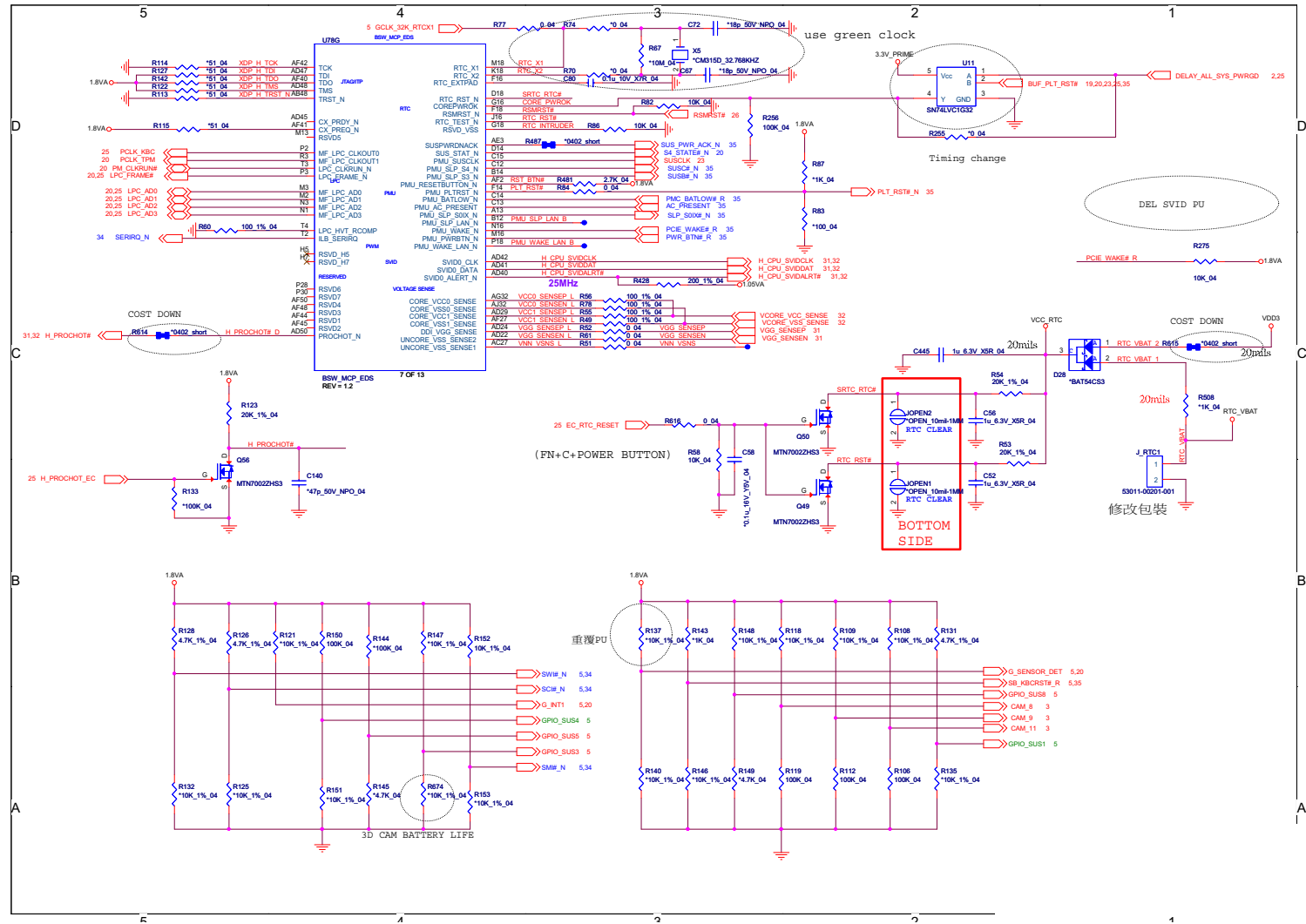


Sheet 6 of 39
Processor 5/8

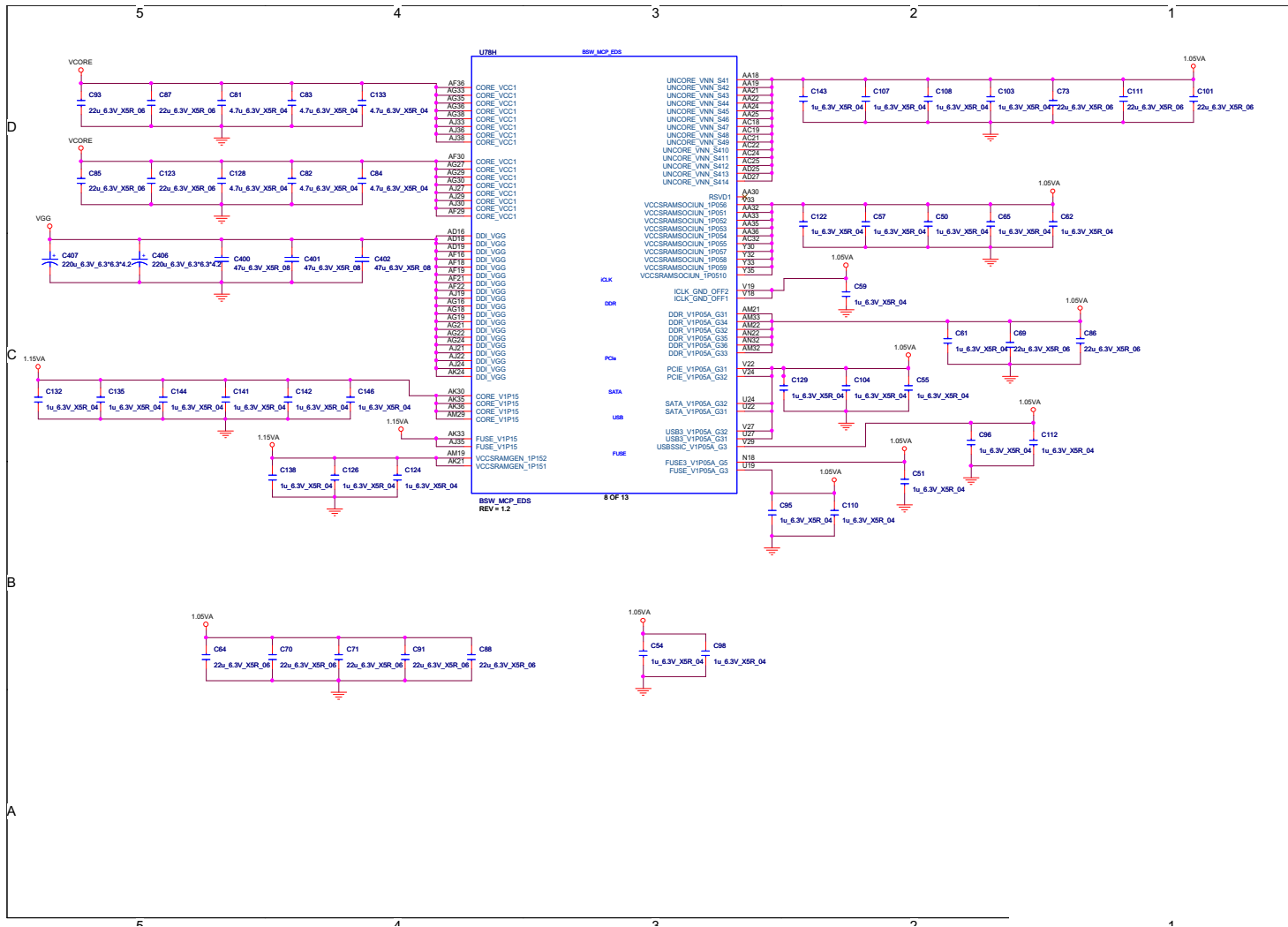
B.Schematic Diagrams

Processor 6/8

Sheet 7 of 39
Processor 6/8



Processor 7/8

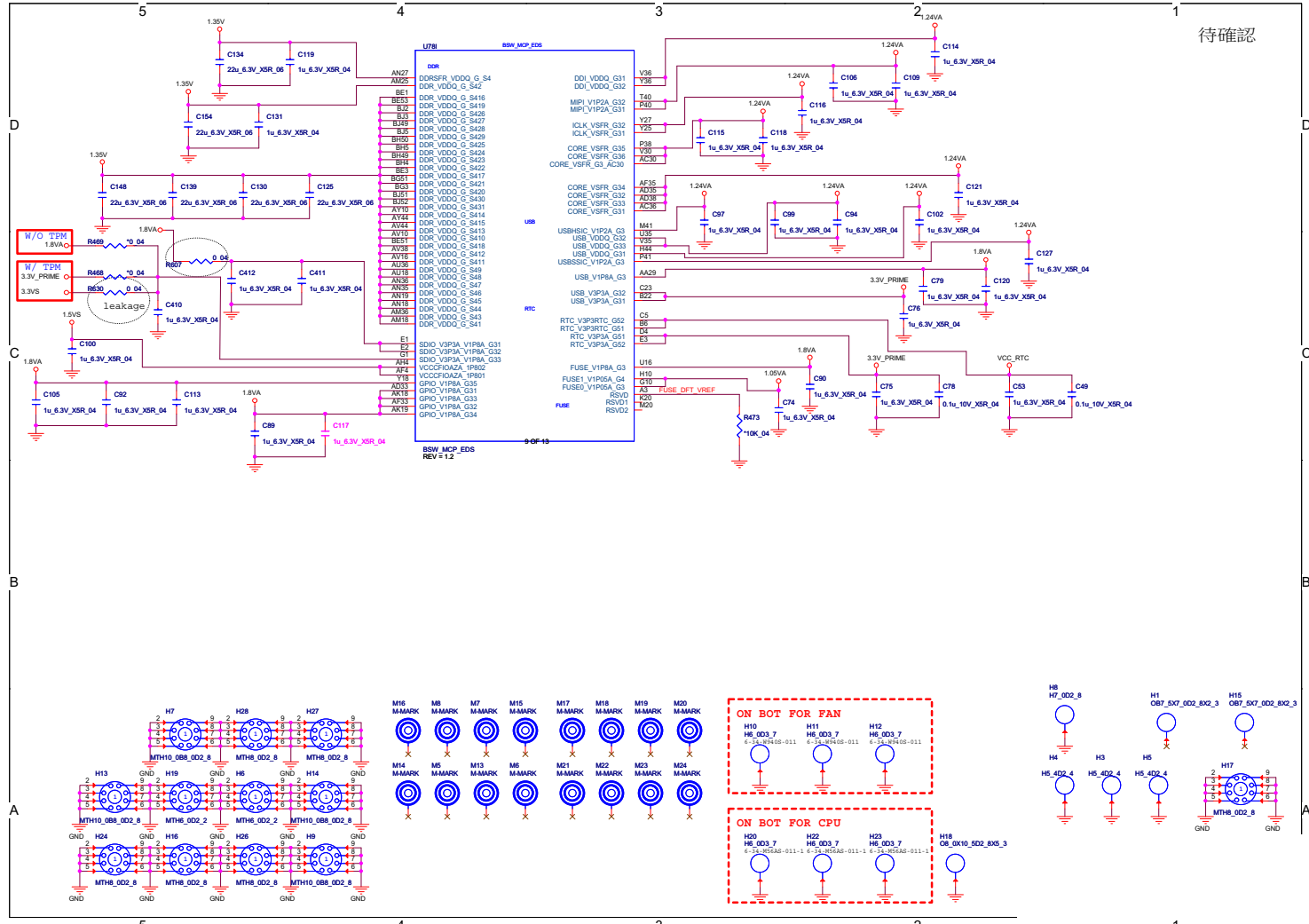


Sheet 8 of 39
Processor 7/8

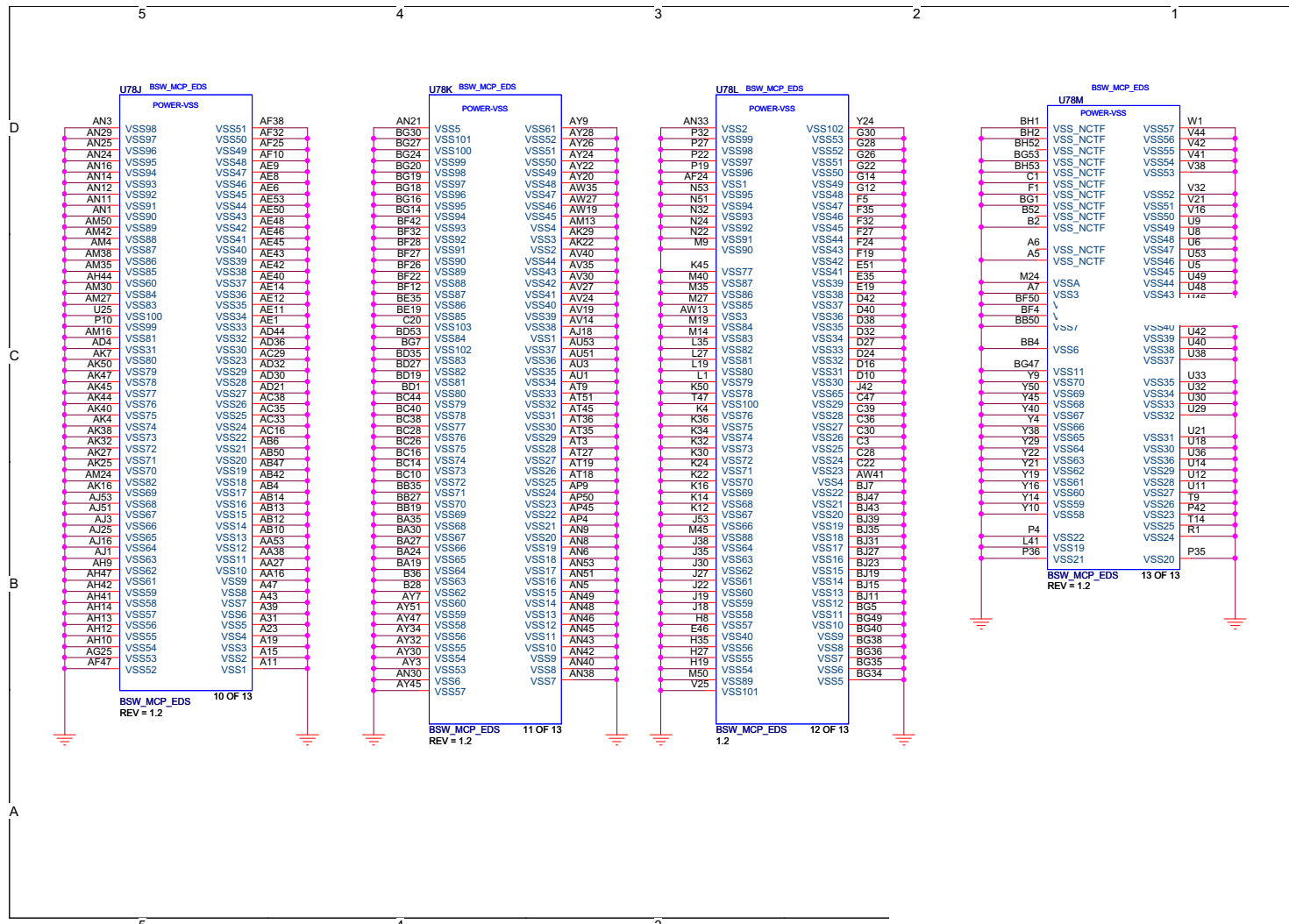
B. Schematic Diagrams

Processor 8/9

Sheet 9 of 39
Processor 8/9



Processor 9/9

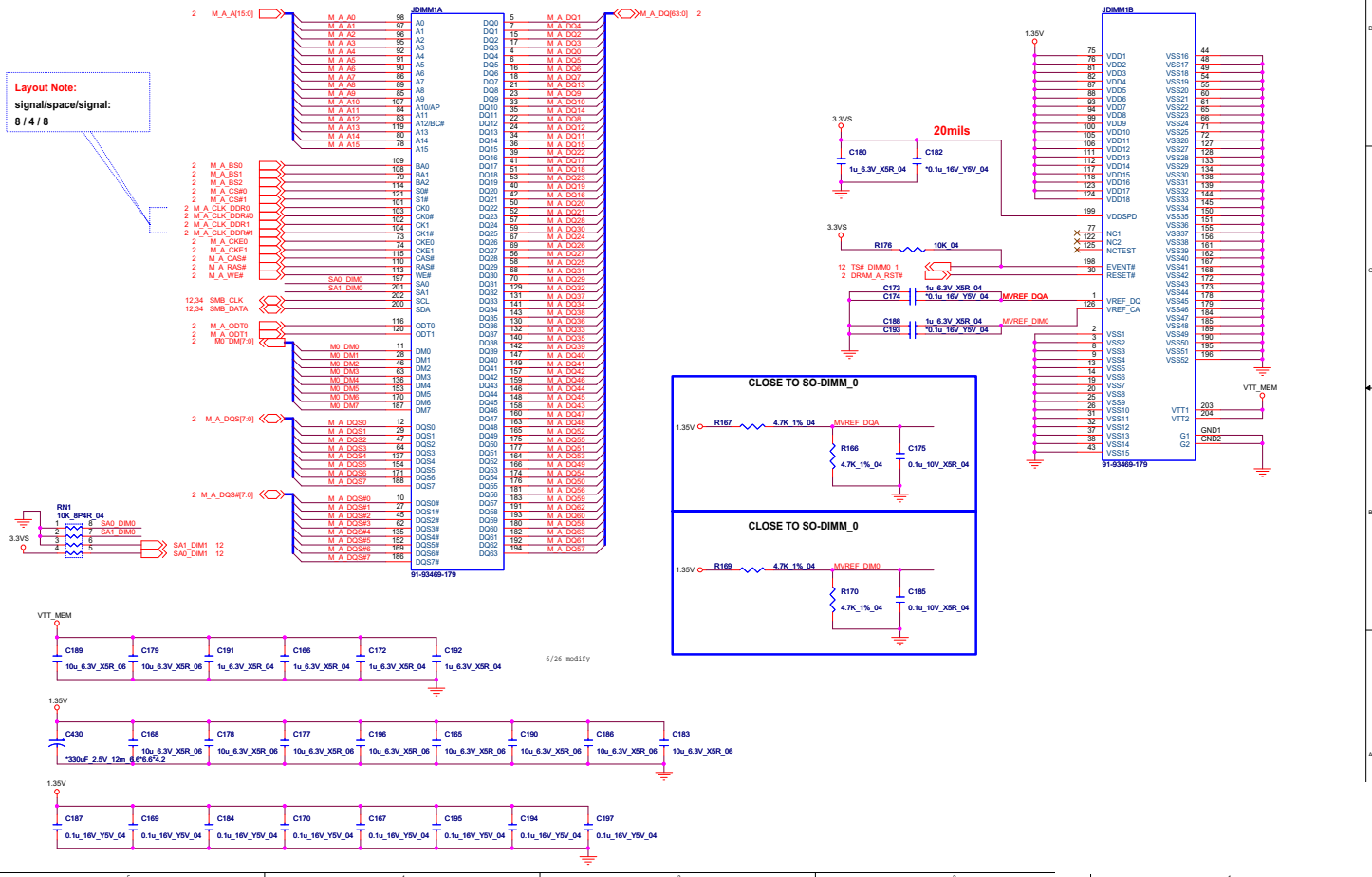


Sheet 10 of 39
Processor 9/9

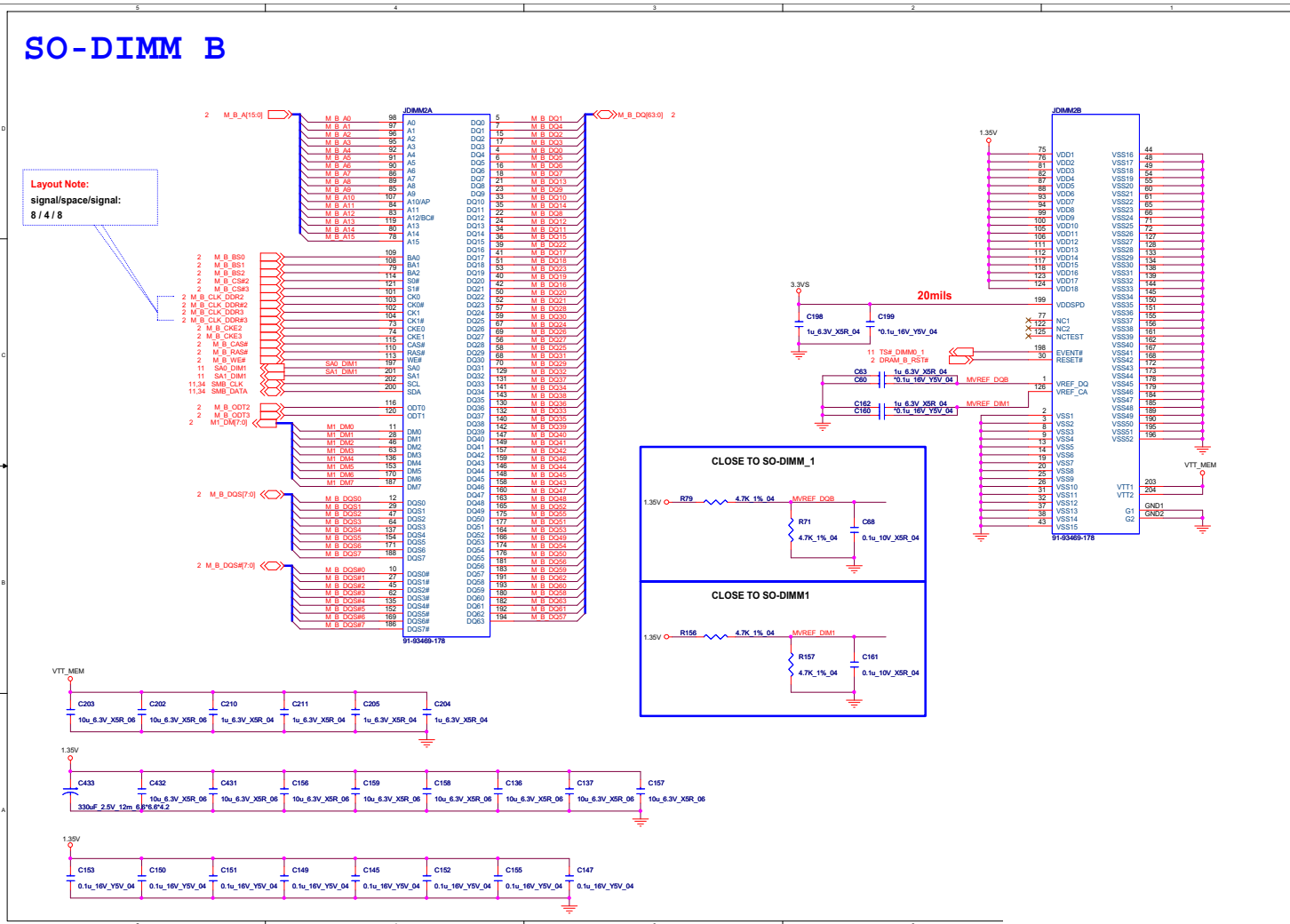
B.Schematic Diagrams

DDR3 SO-DIMM_A

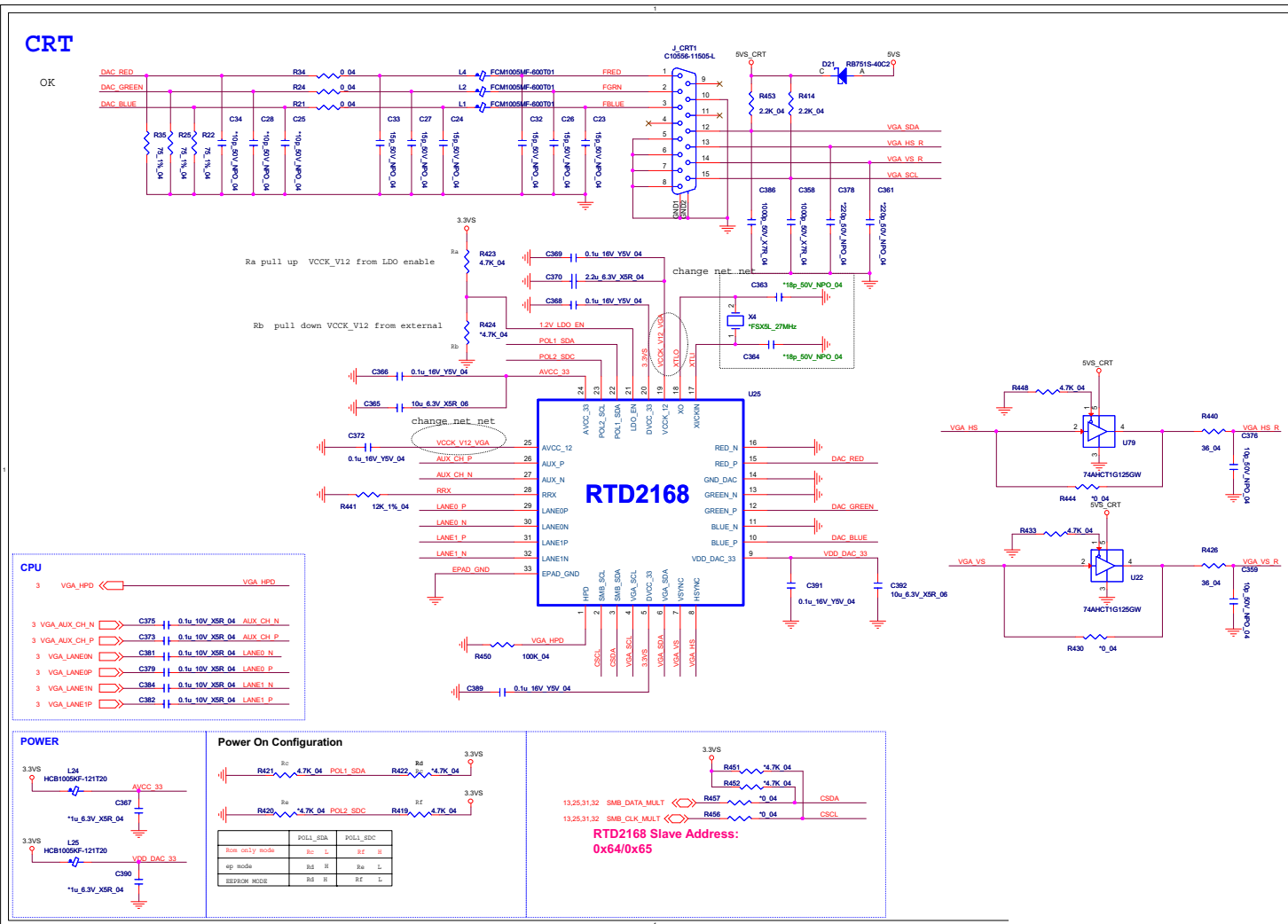
SO-DIMM A



DDR3 SO-DIMM_B



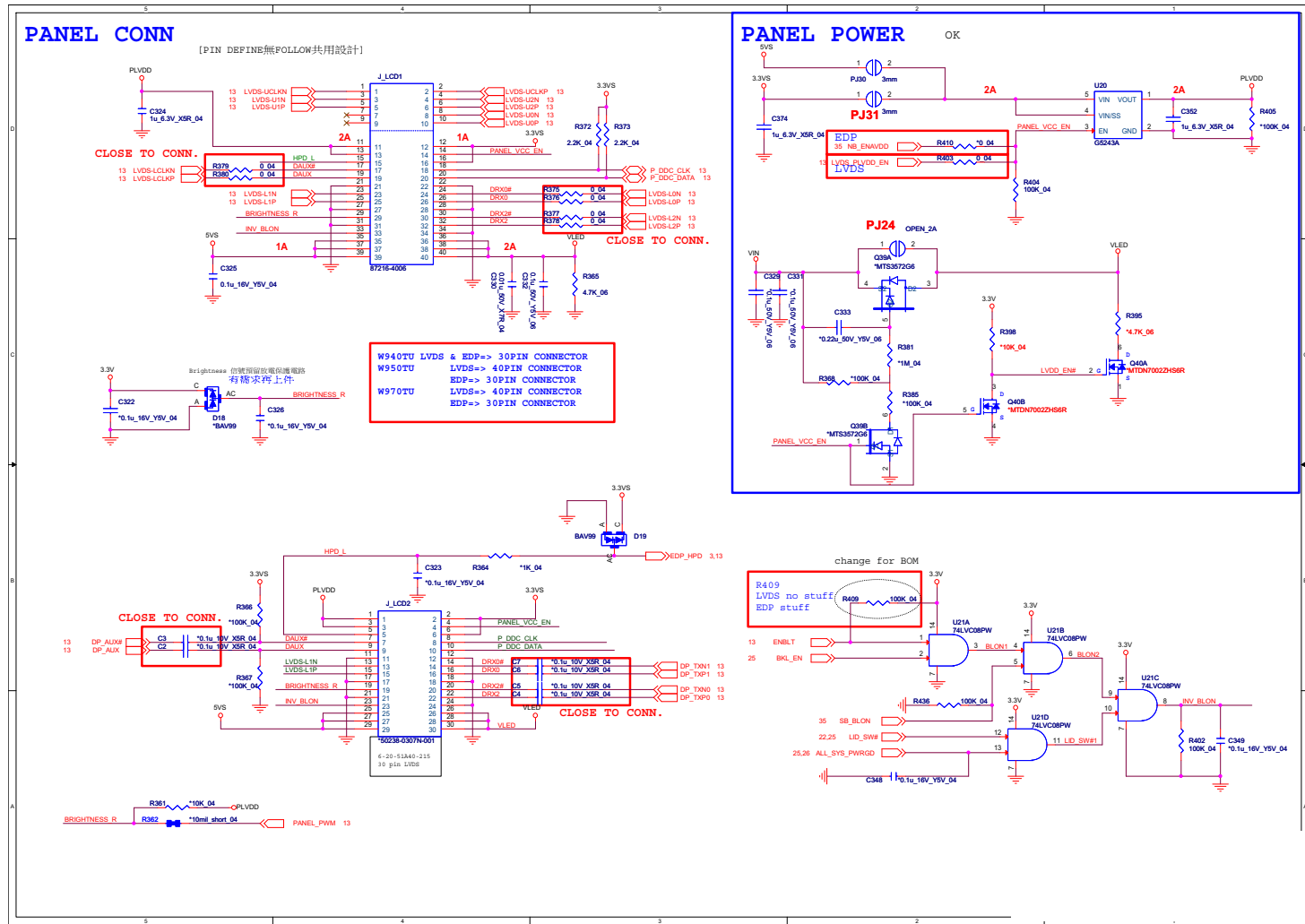
CRT



Sheet 14 of 39
CRT

B.Schematic Diagrams

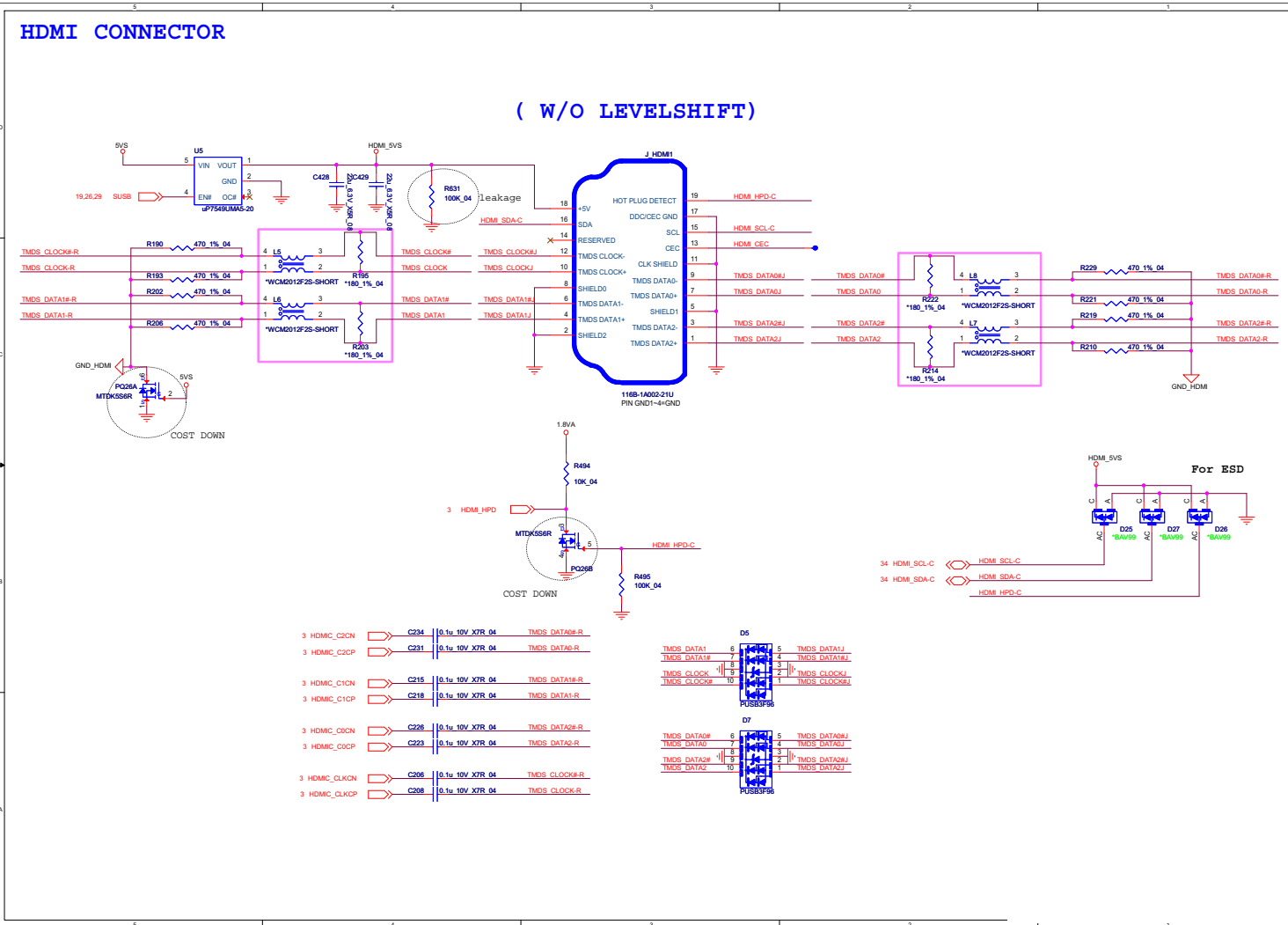
Panel



Sheet 15 of 39
Panel

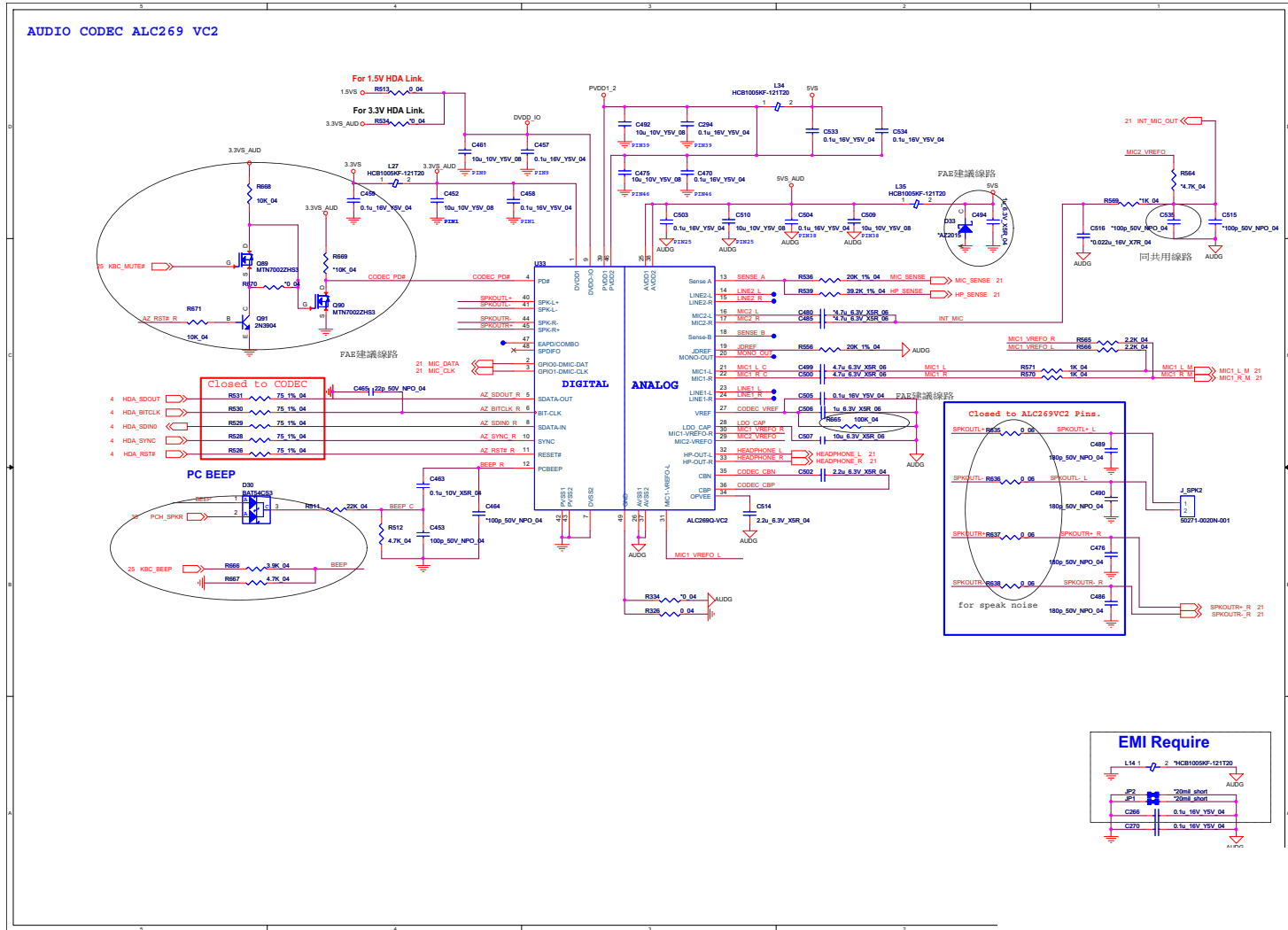
B.Schematic Diagrams

HDMI



Sheet 16 of 39
HDMI

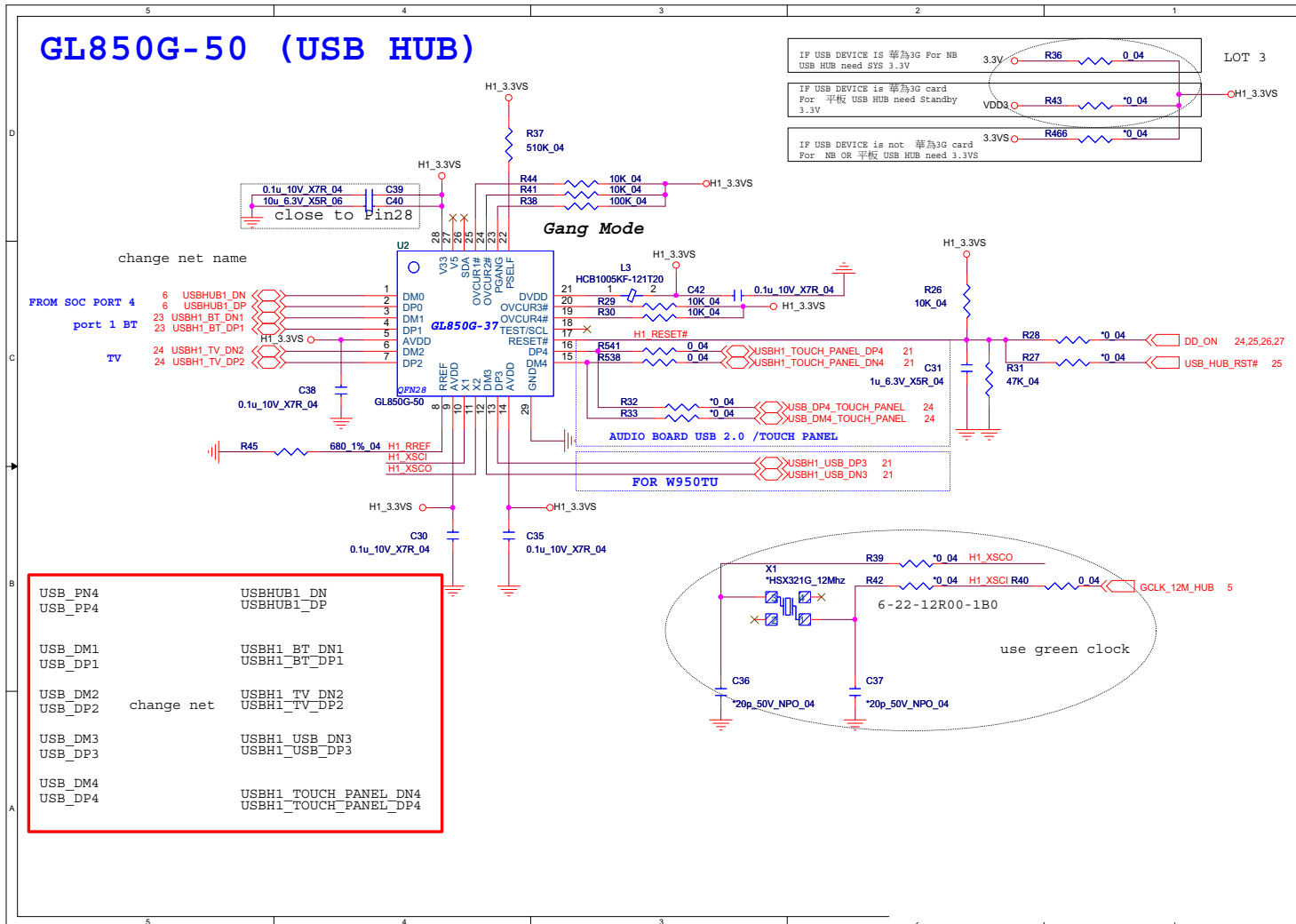
Audio Codec



Sheet 17 of 39
Audio Codec

B.Schematic Diagrams

USB Hub

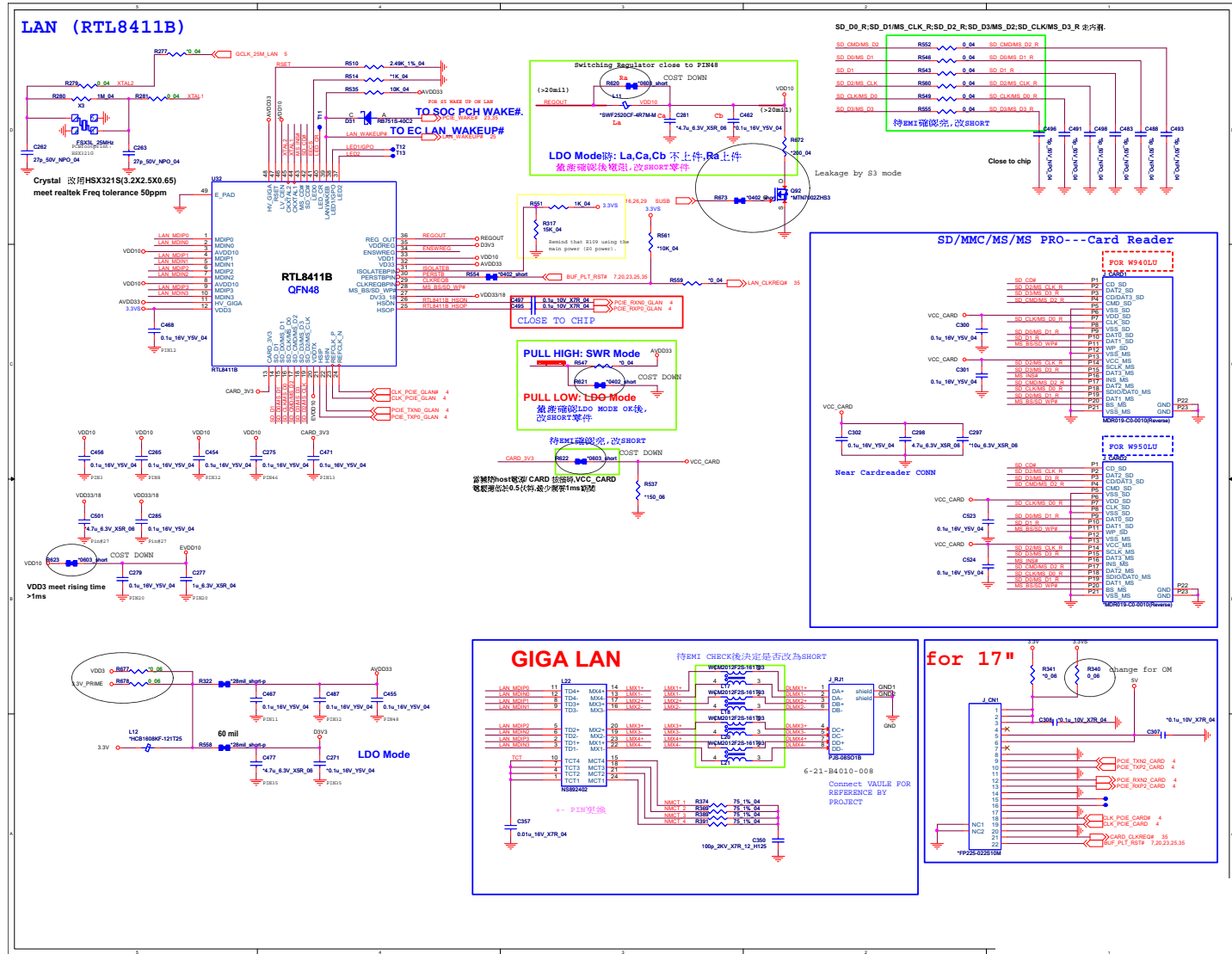


Sheet 18 of 39
USB Hub

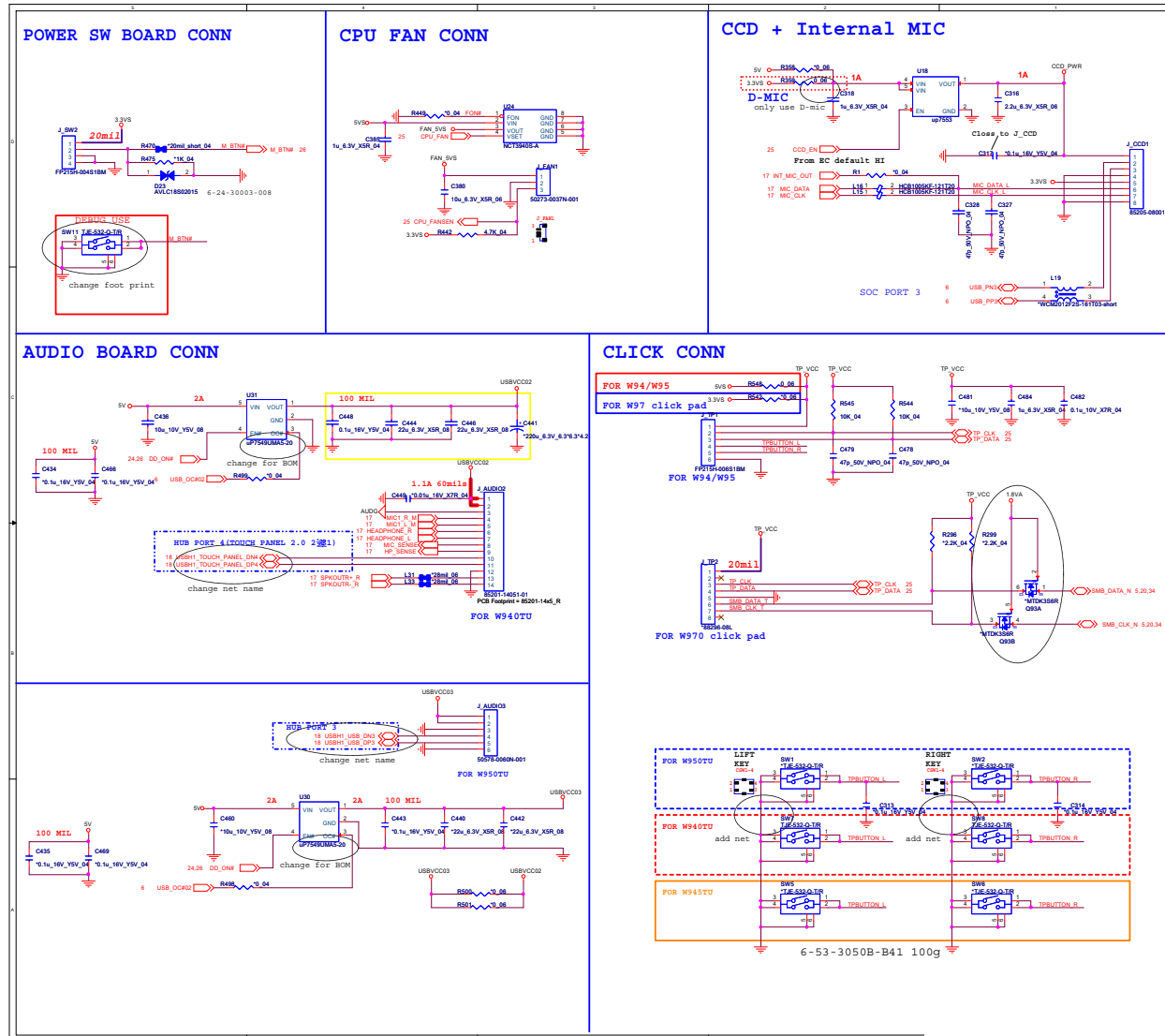
LAN / Card Reader

B.Schematic Diagrams

Sheet 19 of 39
LAN / Card Reader

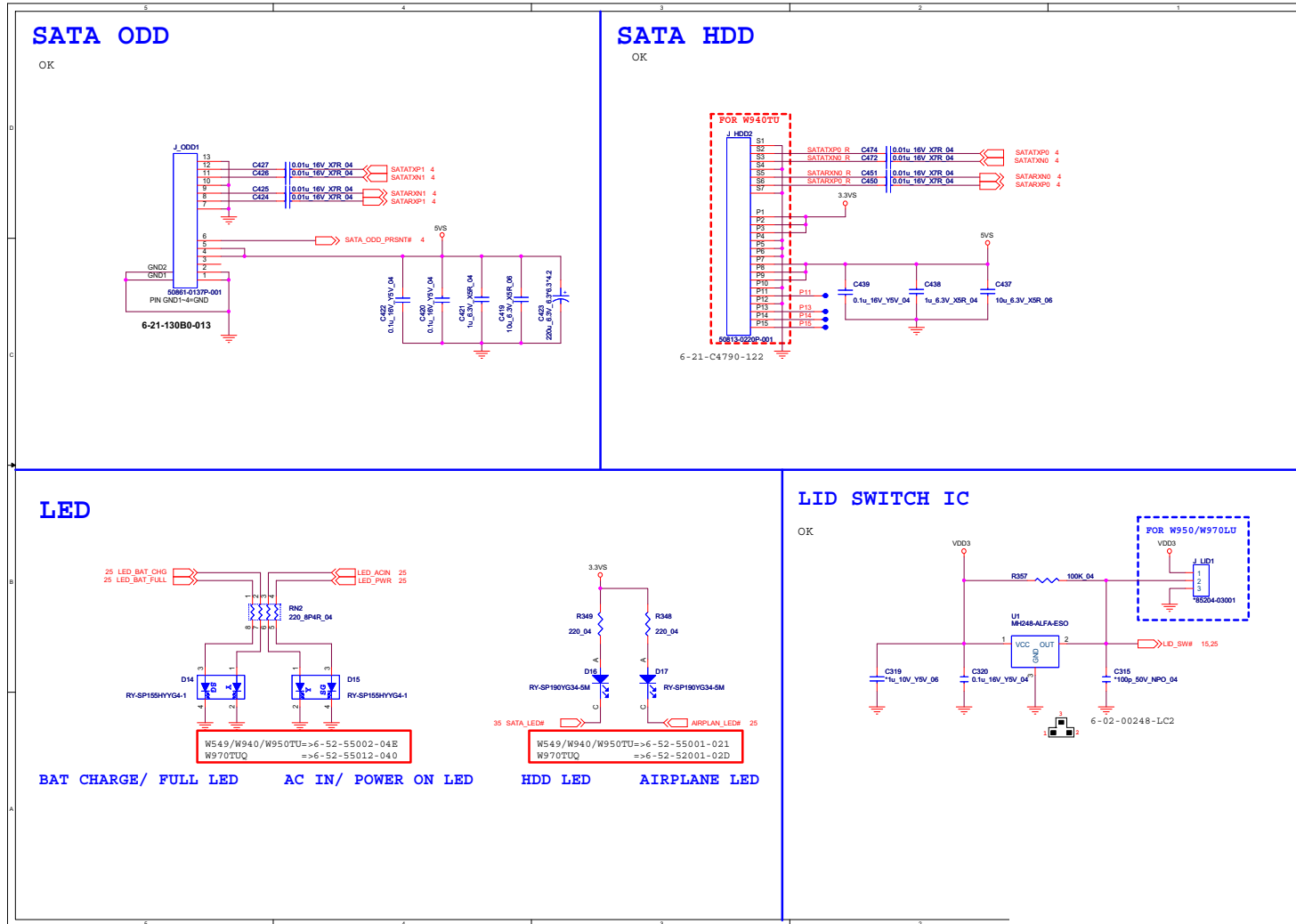


Conn, Fan, Click, CCD



Sheet 21 of 39
Conn, Fan, Click, CCD

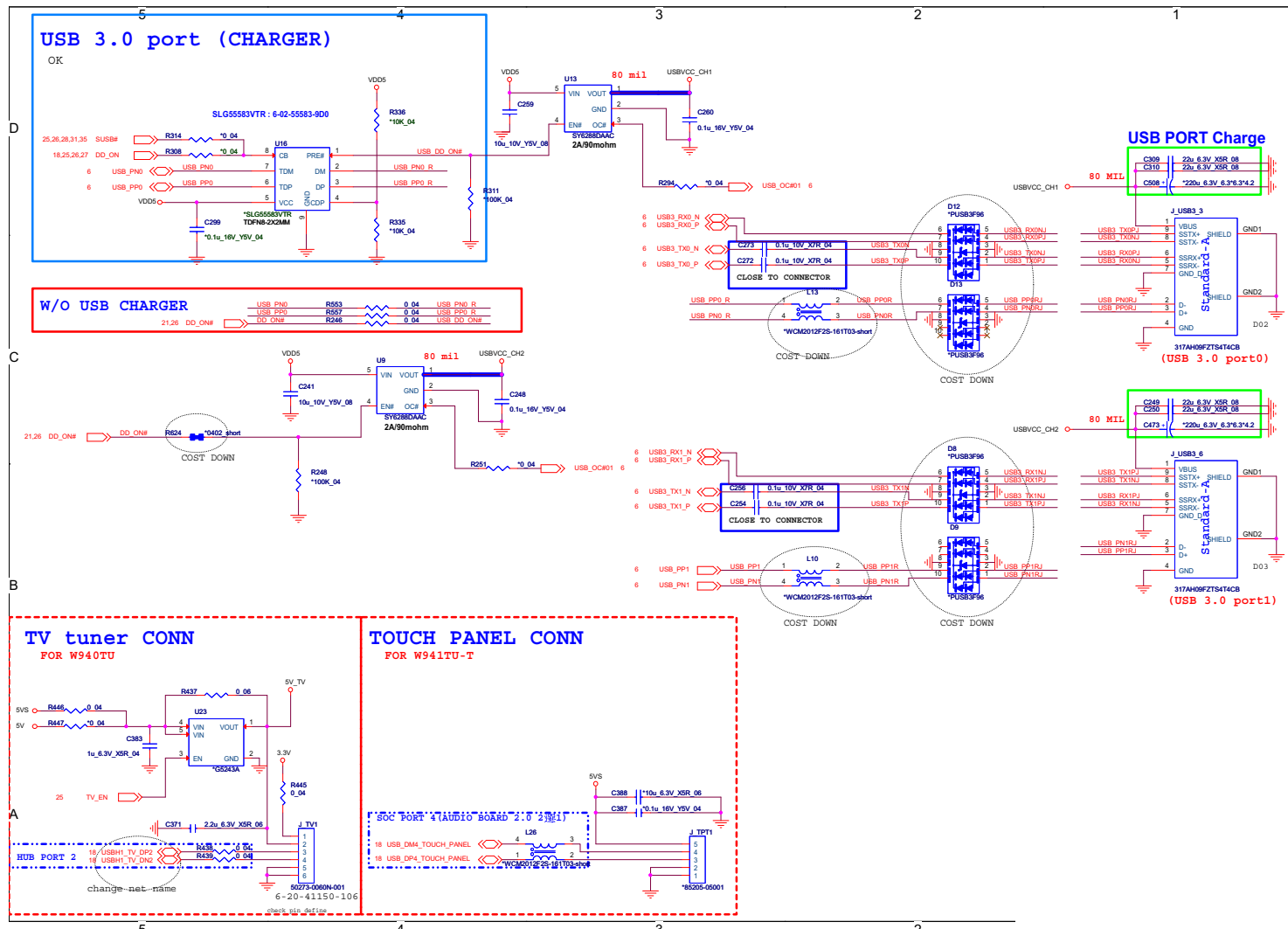
HDD, ODD, LED, LID



Sheet 22 of 39
HDD, ODD, LED,
LID

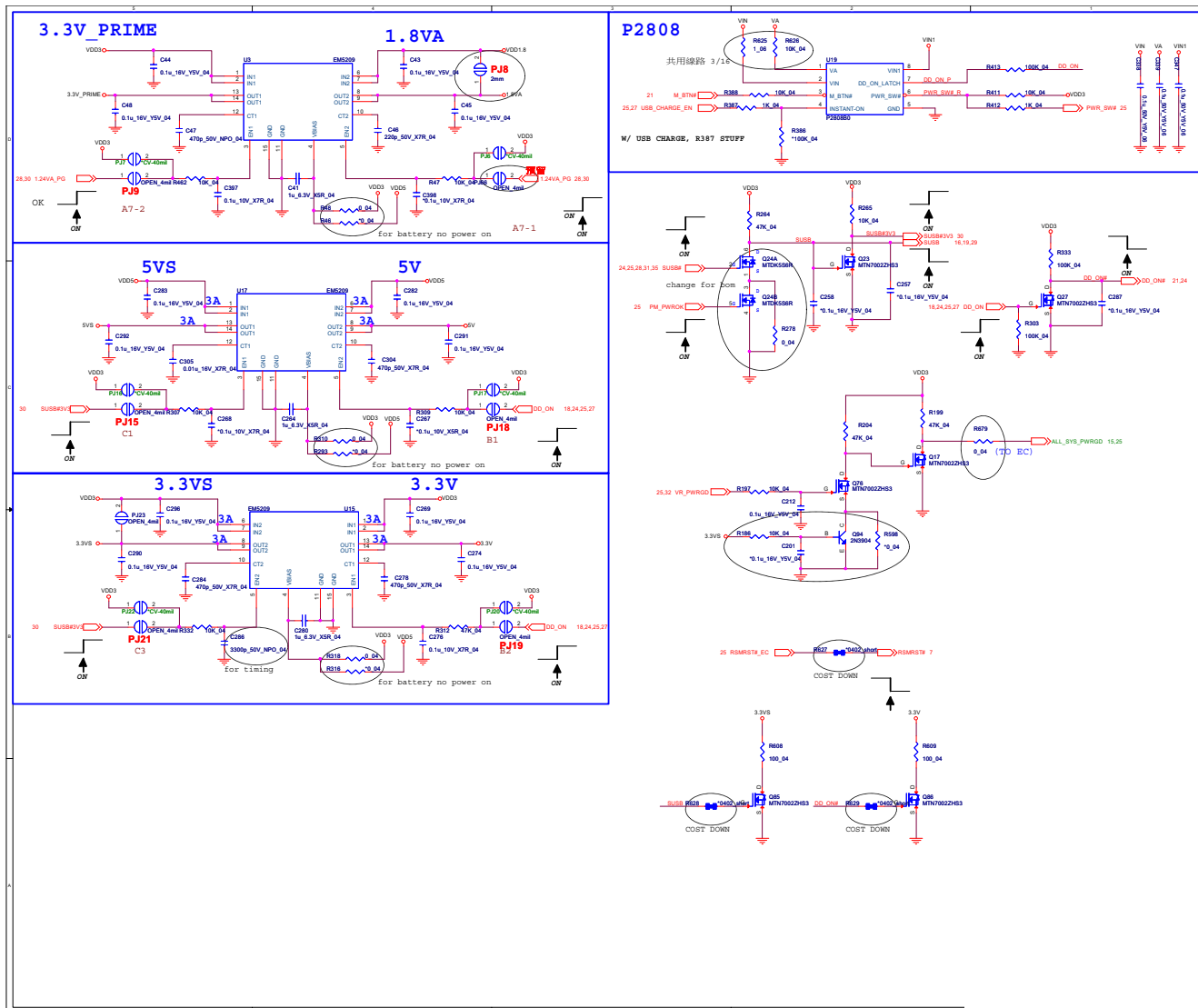
B.Schematic Diagrams

USB, Touch Panel, TV



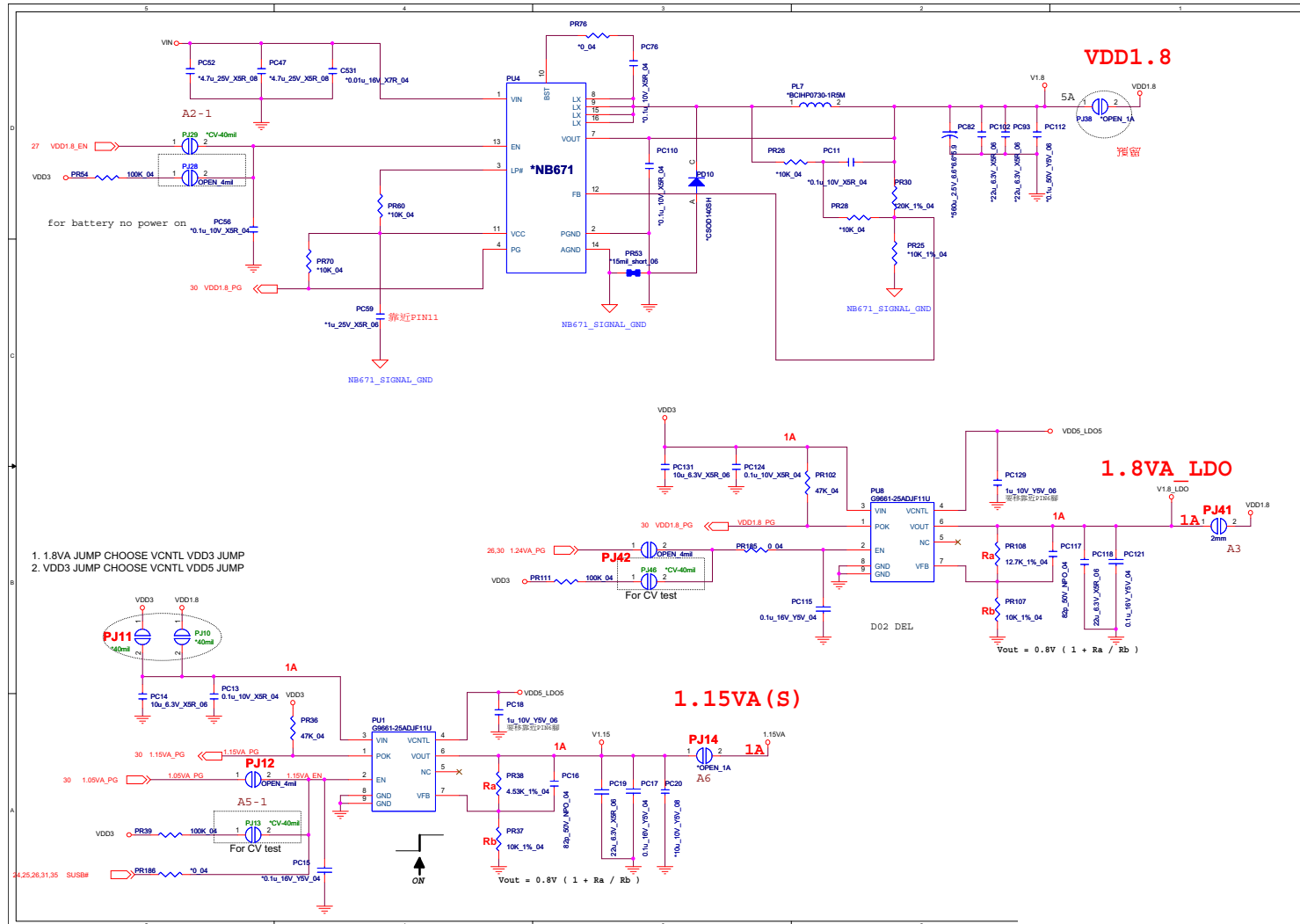
Sheet 24 of 39
USB, Touch Panel,
TV

5V, 3.3V, 1.8VA



Sheet 26 of 39
5V, 3.3V, 1.8VA

VDD 1.8/1.15VA

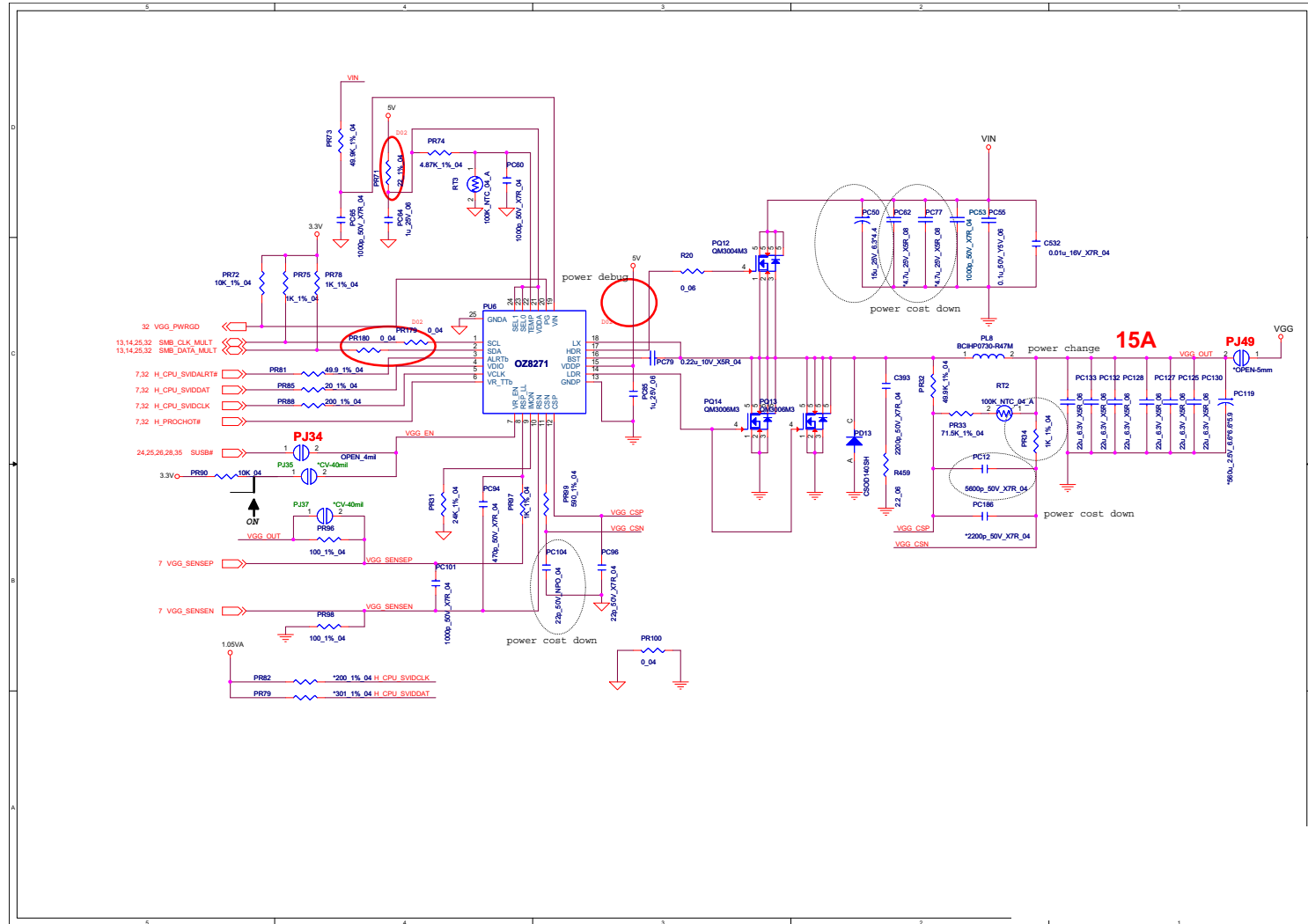


Sheet 28 of 39
 VDD 1.8/1.15VA

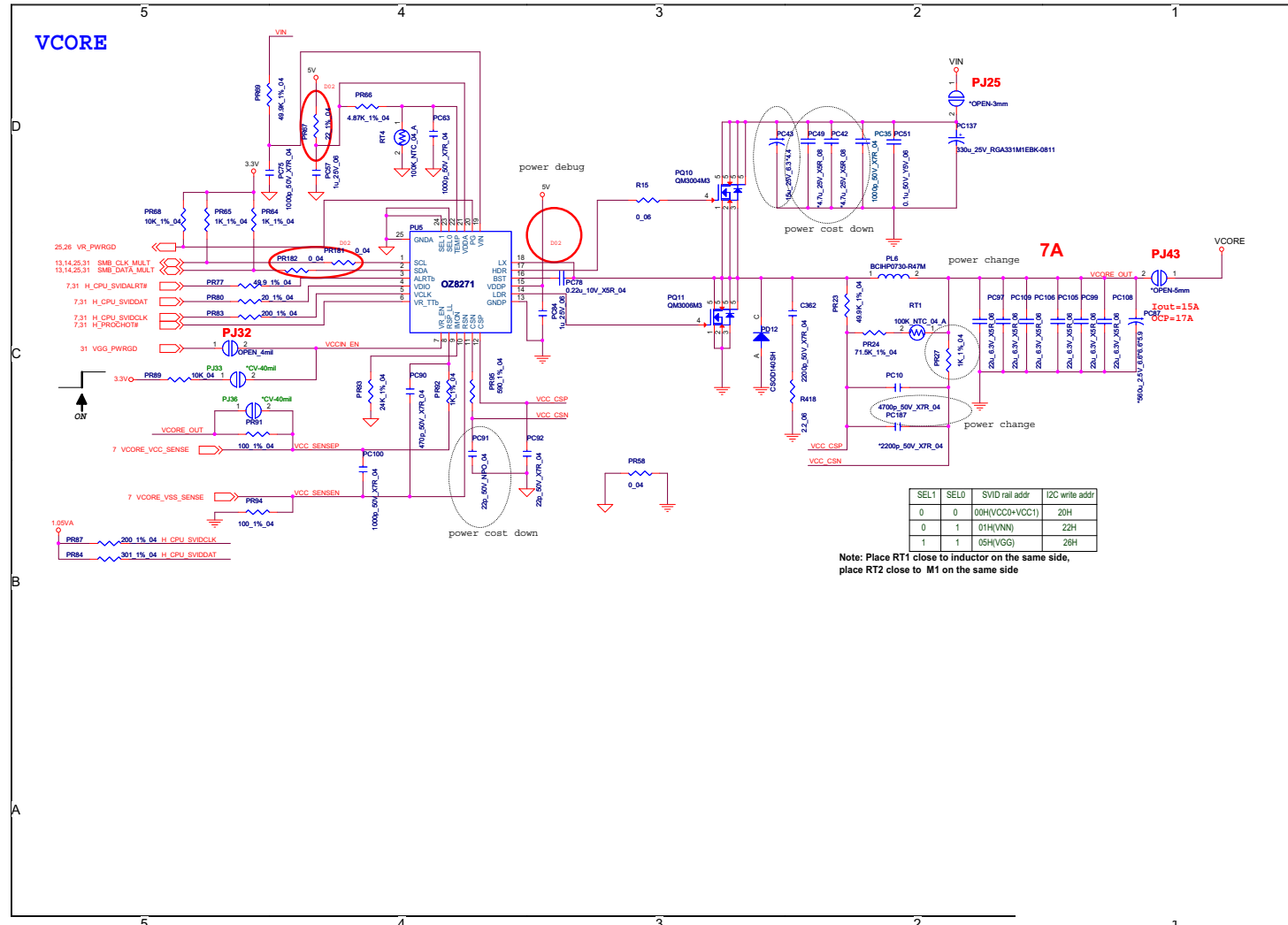
B.Schematic Diagrams

VGG

Sheet 31 of 39
VGG



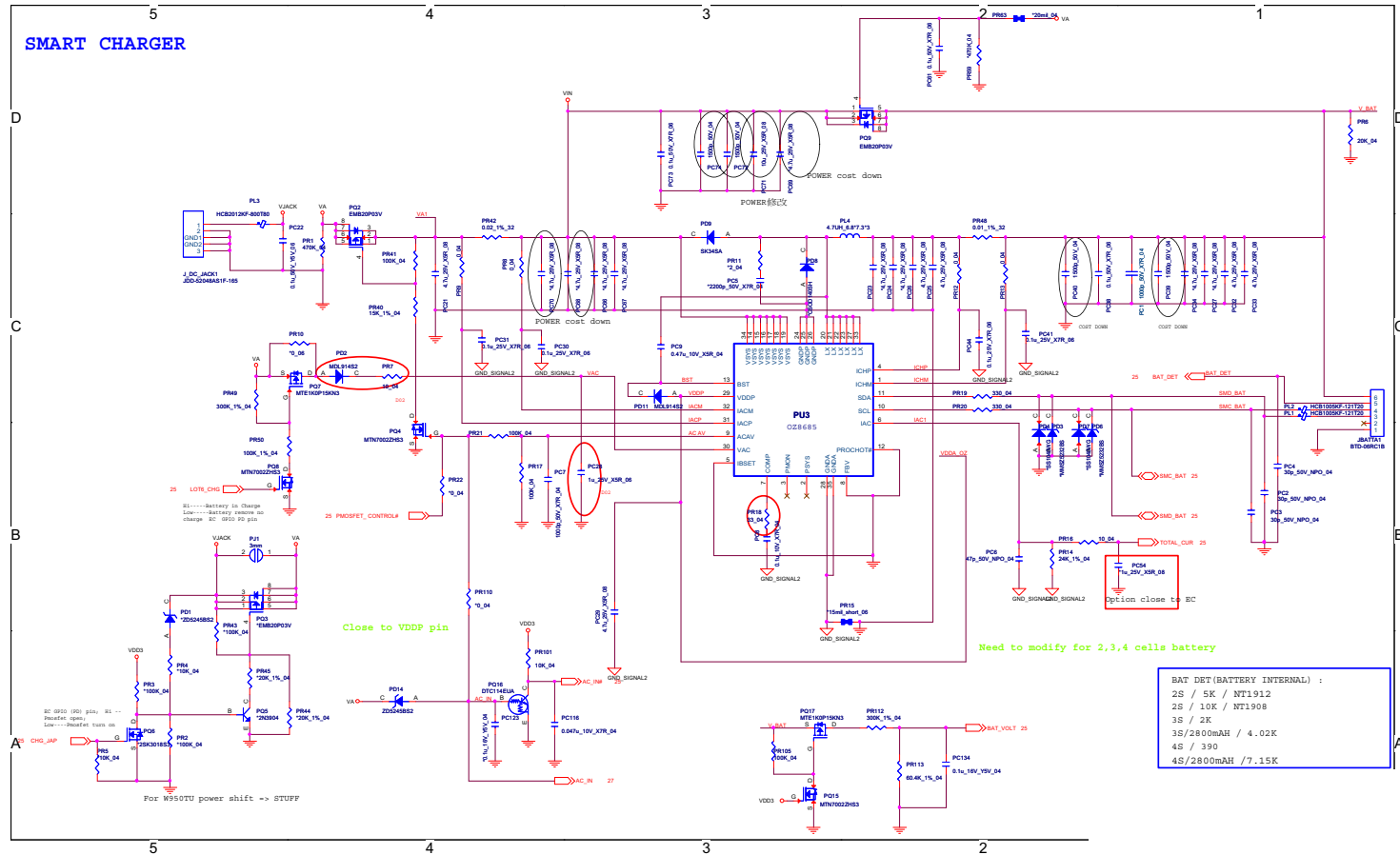
VCore



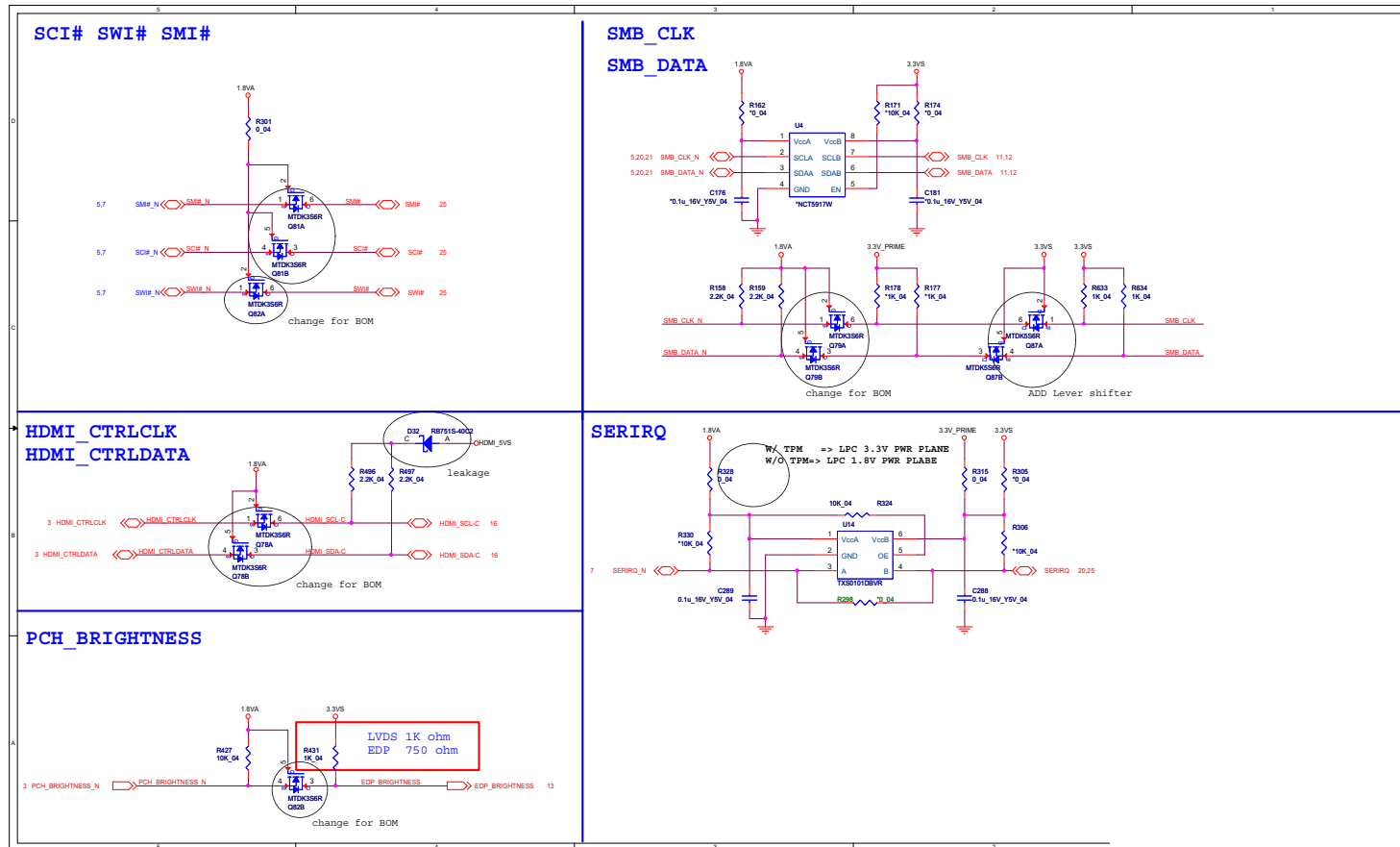
Sheet 32 of 39
VCore

AC-In, Charger

Sheet 33 of 39
AC-IN, Charger



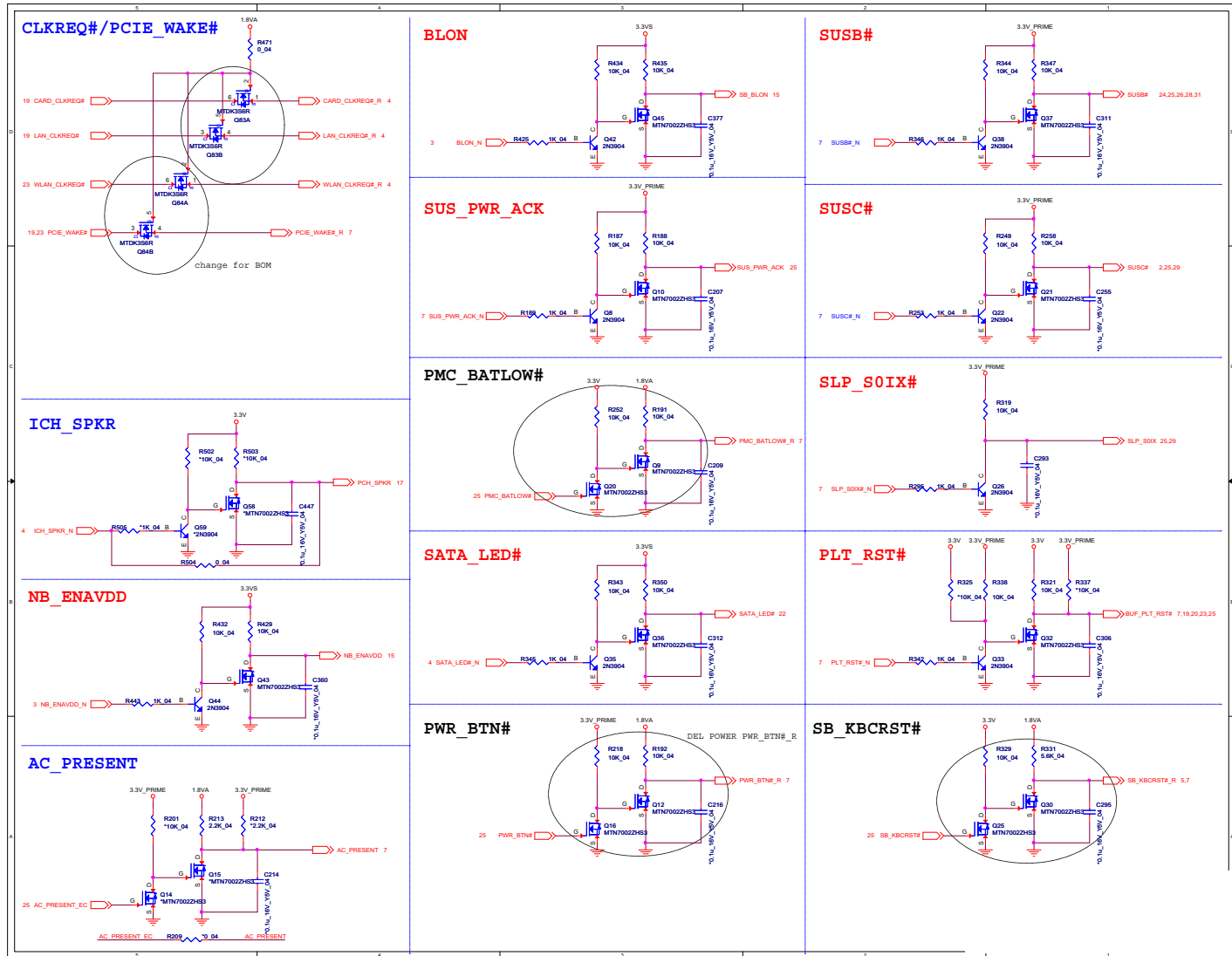
Level Shifter 1



Sheet 34 of 39
Level Shifter 1

B.Schematic Diagrams

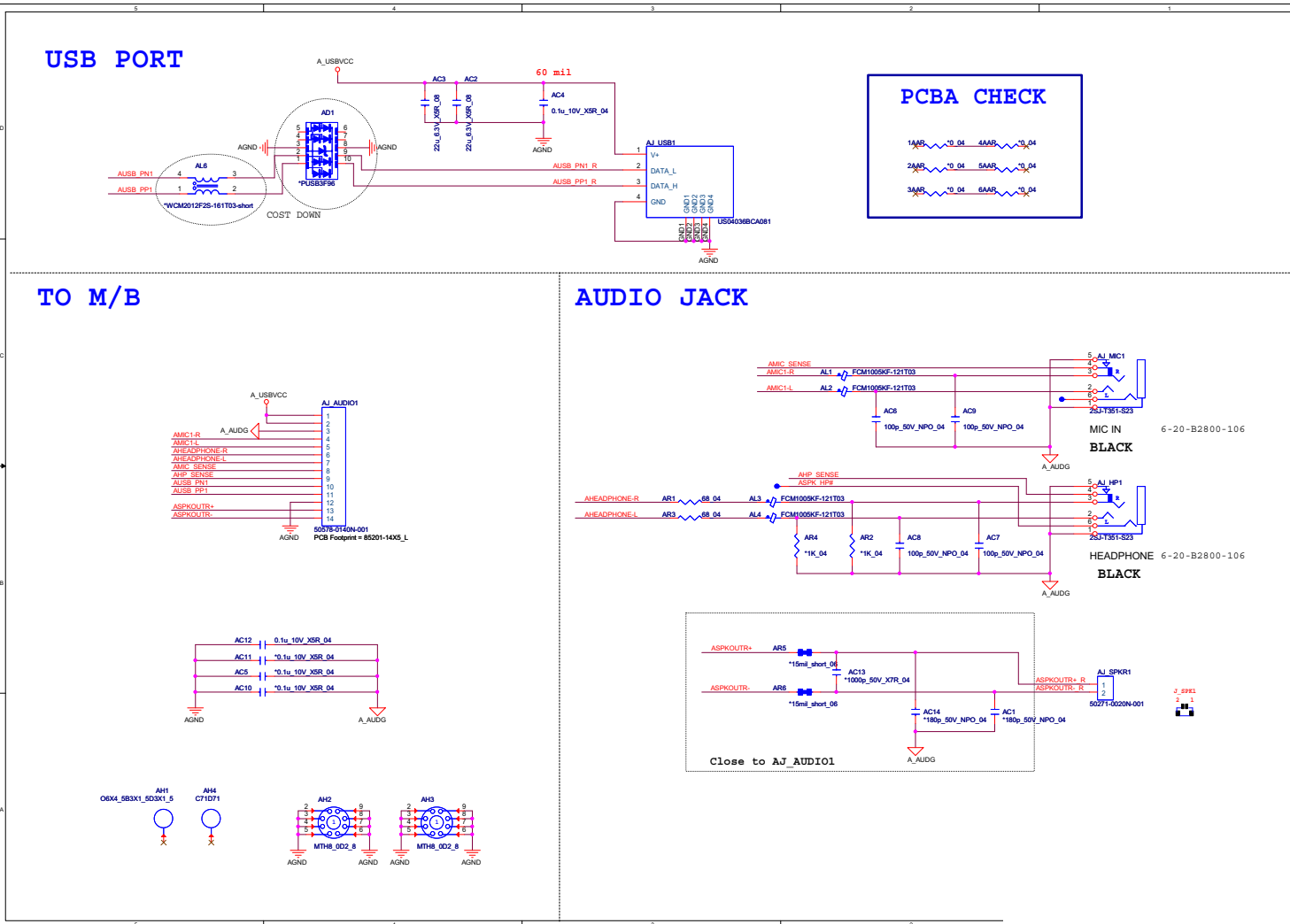
Level Shifter 2



B.Schematic Diagrams

Sheet 35 of 39
Level Shifter 2

Audio Board

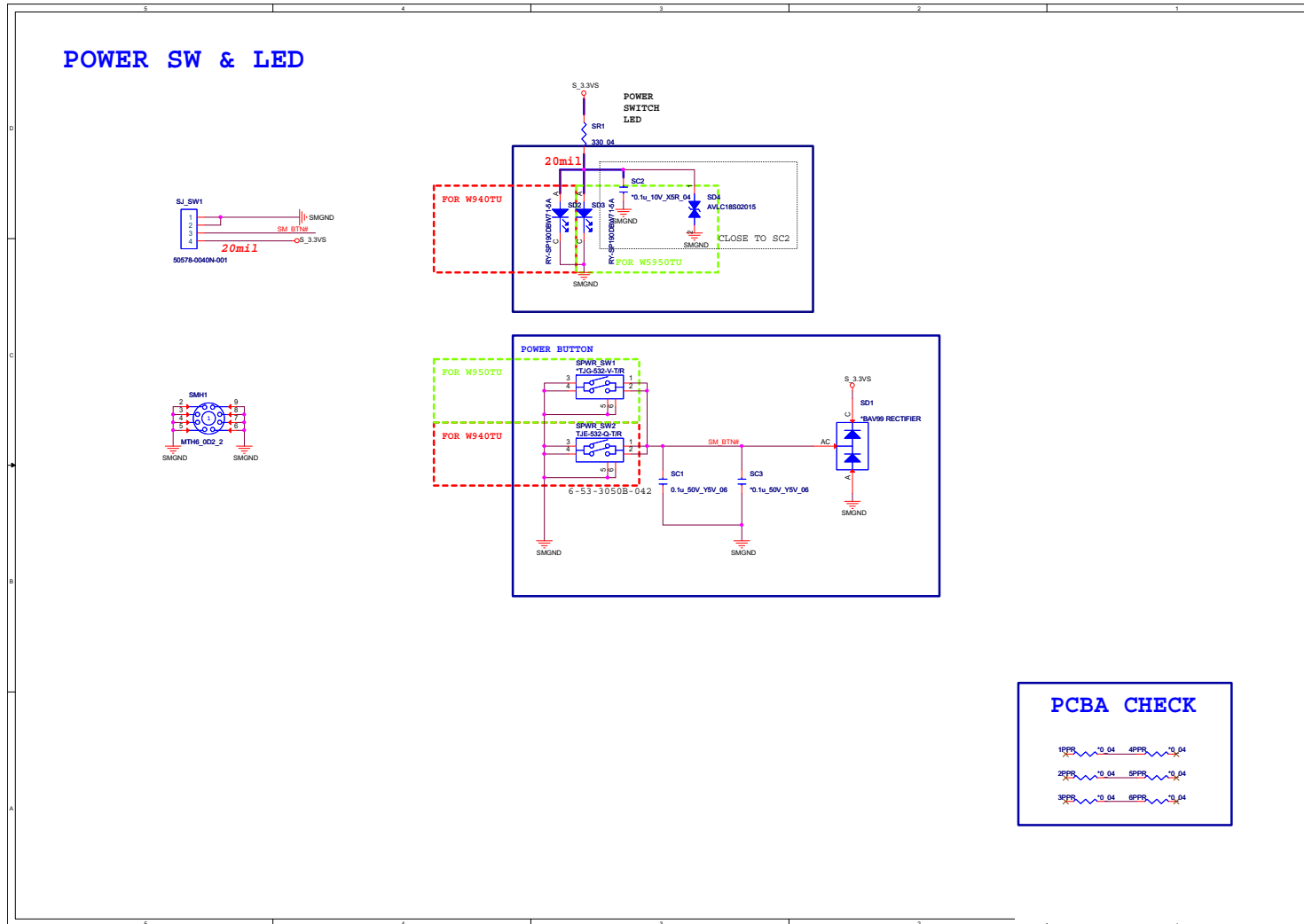


Sheet 36 of 39
Audio Board

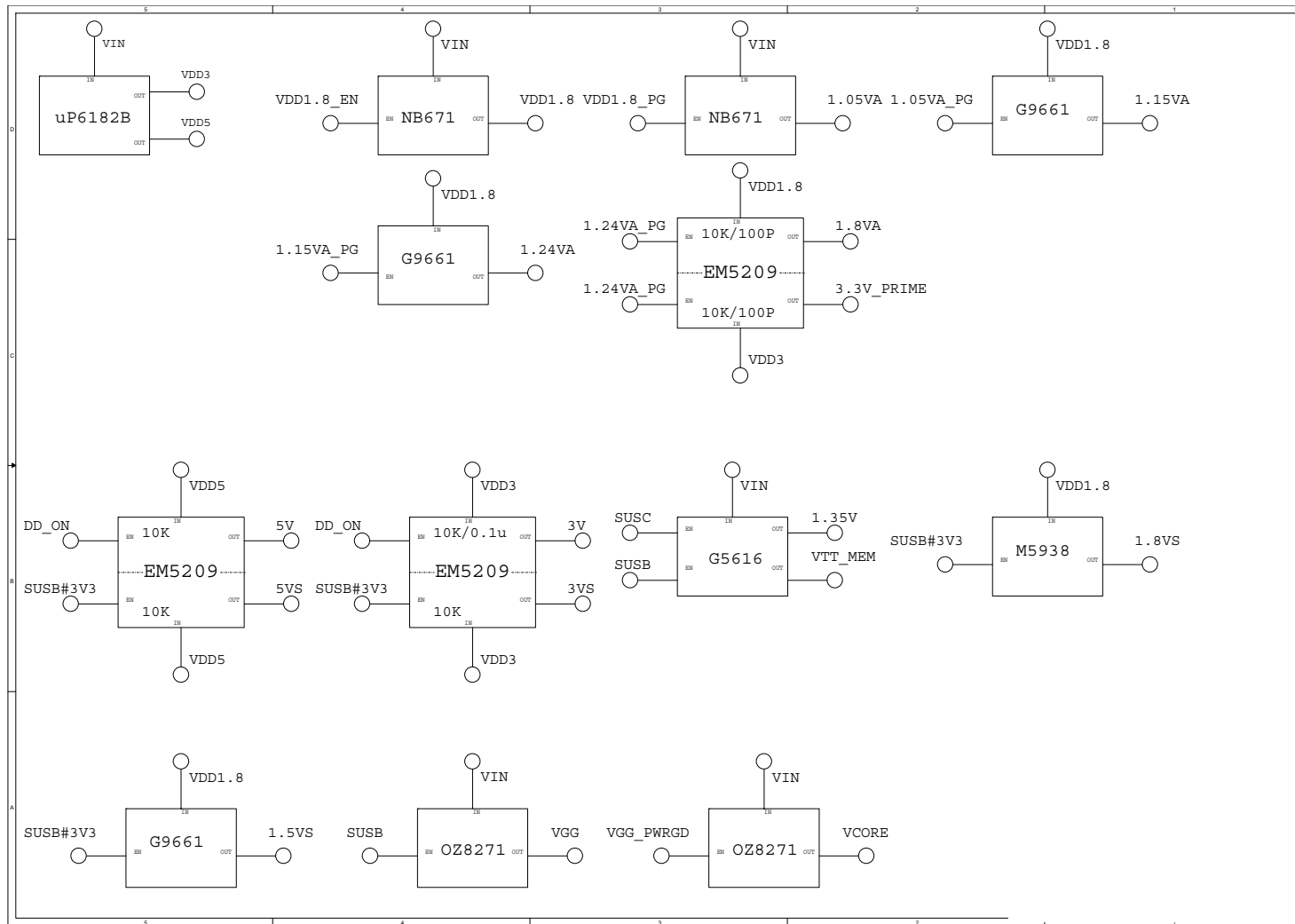
B.Schematic Diagrams

Power SW Board

Sheet 37 of 39
Power SW Board

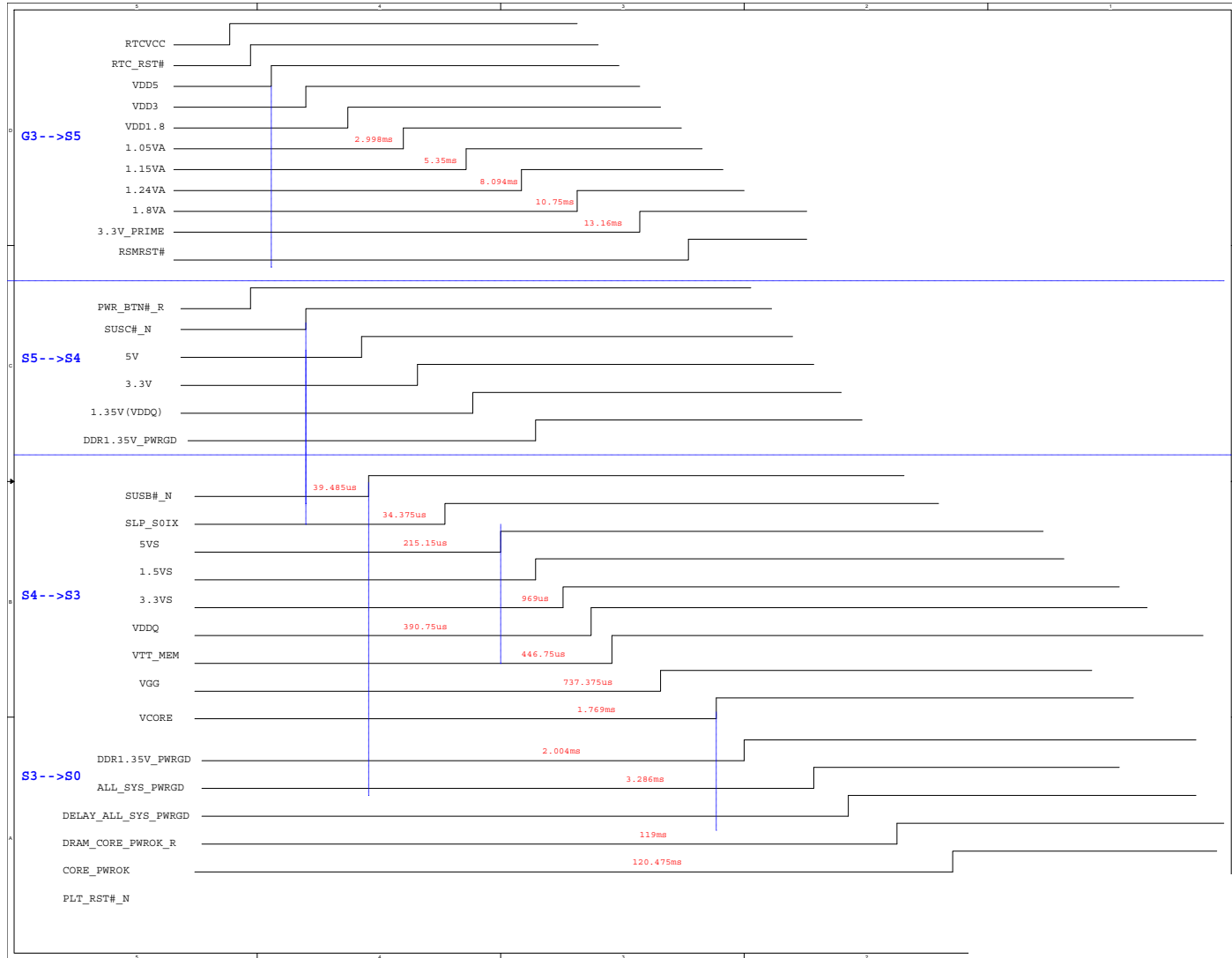


Power Diagram



Sheet 38 of 39
Power Diagram

Power Sequence



Sheet 39 of 39
Power Sequence

Appendix C: Updating the FLASH ROM BIOS

To update the FLASH ROM BIOS, you must:

- Download the BIOS update from the web site.
- Unzip the files onto a bootable CD/DVD/USB Flash Drive.
- Reboot your computer from an external CD/DVD/USB Flash Drive.
- Use the flash tools to update the flash BIOS using the commands indicated below.
- Restart the computer booting from the HDD and press **F2** at startup enter the BIOS.
- Load setup defaults from the BIOS and save the default settings and exit the BIOS to restart the computer.
- After rebooting the computer you may restart the computer again and make any required changes to the default BIOS settings.

Download the BIOS

1. Go to www.clevo.com.tw and point to **E-Services** and click **E-Channel**.
2. Use your user ID and password to access the appropriate download area (BIOS), and download the latest BIOS files (the BIOS file will be contained in a batch file that may be run directly once unzipped) for your computer model (see sidebar for important information on BIOS versions).

Unzip the downloaded files to a bootable CD/DVD/ or USB Flash drive

1. Insert a bootable CD/DVD/USB flash drive into the CD/DVD drive/USB port of the computer containing the downloaded files.
2. Use a tool such as Winzip or Winrar to unzip all the BIOS files and refresh tools to your bootable CD/DVD/USB flash drive (you may need to create a bootable CD/DVD with the files using a 3rd party software).

Set the computer to boot from the external drive

1. With the bootable CD/DVD/USB flash drive containing the BIOS files in your CD/DVD drive/USB port, restart the computer and press **F2** (in most cases) to enter the BIOS.
2. Use the arrow keys to highlight the **Boot** menu.
3. Use the “+” and “-” keys to move boot devices up and down the priority order.
4. Make sure that the CD/DVD drive/USB flash drive is set first in the boot priority of the BIOS.
5. Press **F4** to save any changes you have made and exit the BIOS to restart the computer.



BIOS Version

Make sure you download the latest correct version of the BIOS appropriate for the computer model you are working on.

You should only download BIOS versions that are **V1.01.XX or higher** as appropriate for your computer model.

Note that BIOS versions are not backward compatible and therefore you may not downgrade your BIOS to an older version after upgrading to a later version (e.g if you upgrade a BIOS to ver 1.01.05, you **MAY NOT** then go back and flash the BIOS to ver 1.01.04).

BIOS Update

Use the flash tools to update the BIOS

1. Make sure you are not loading any memory management programs such as HIMEM by holding the **F8** key as you see the message “**EFI Shell**”. You will then be prompted to give “**Y**” or “**N**” responses to the programs being loaded by EFI Shell. Choose “**N**” for any memory management programs.
2. You should now see **DISK fsX:\>** (X is the designated drive number for the CD/DVD drive/USB flash drive).
3. **Type the following command:**

fsX:\> Flash.nsh

4. The utility will then proceed to flash the BIOS.
5. You should then be prompted to press any key to restart the system or turn the power off, and then on again but make sure you remove the CD/DVD/USB flash drive from the CD/DVD drive/USB port before the computer restarts.

Restart the computer (booting from the HDD)

1. With the CD/DVD/USB flash drive removed from the CD/DVD drive/USB port the computer should restart from the HDD.
2. Press **F2** as the computer restarts to enter the BIOS.
3. Use the arrow keys to highlight the **Exit** menu.
4. Select **Load Setup Defaults** (or press **F3**) and select “**Yes**” to confirm the selection.
5. Press **F4** to save any changes you have made and exit the BIOS to restart the computer.

Your computer is now running normally with the updated BIOS

You may now enter the BIOS and make any changes you require to the default settings.